

# STAGE PAR 400 ZOOM IP

MP-400Z IP

## FEATURES

- Built-in programs for selection
- Can set the DMX address, reset fixture, change to voice mode, and other functions by using console
- Uniform RGBW color mixing and rainbow effect
- Advanced RDM function
- Outstanding strobe effect with variable speed
- Smooth dimming from 0-100%
- IP66 protection rating

## TECHNICAL SPECIFICATIONS

### Specifications

- Light Source: 7x30W RGBW LED
- Zoom Range:  
Beam Angle: 6°-38°  
Spot Angle: 11°-59°
- Total lumen output up to 3,254lm

### Control

- DMX Channel: 5/7/9
- Protocols: DMX512,RDM
- Firmware Upgrade via DMX link

### Construction

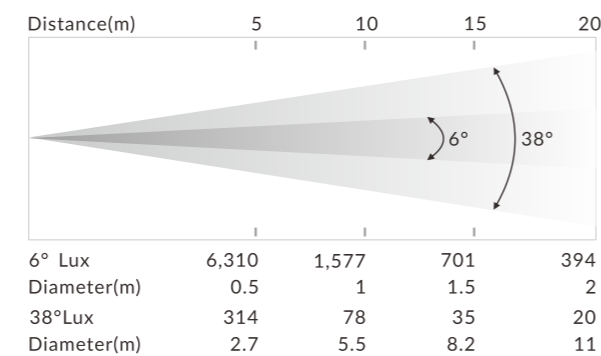
- Display: OLED display
- Data In/Out: 5-pin IP XLR
- Power In/Out: Waterproof Power Connector in/out
- Protection Rating: IP66

### Electrical and Physical

- Input Voltage Range: 100-240V, 50/60Hz
- Power Consumption: 250 W
- Dimensions: 316 x 295 x 318mm (12.4" x 11.6" x 12.5")
- F/C Dimensions: 885 x 600 x 835 mm (34.8" x 23.6" x 32.9")
- Weight: 8.5 kg (18.7 lbs)  
94.5 kg (208.3 lbs)(Six-pack Loader Case)

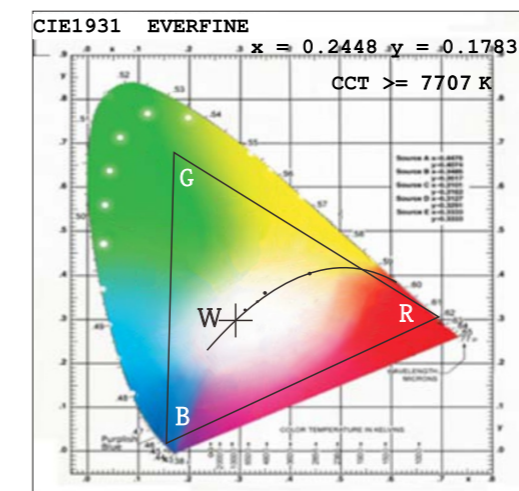


## PHOTOMETRICS DIAGRAM

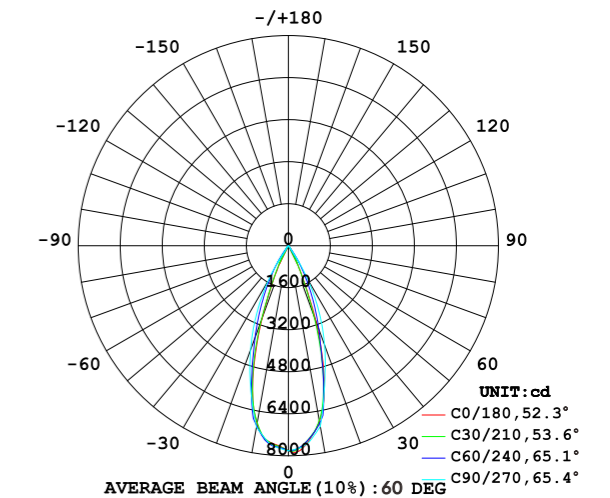


## LIGHT QUALITY PARAMETER

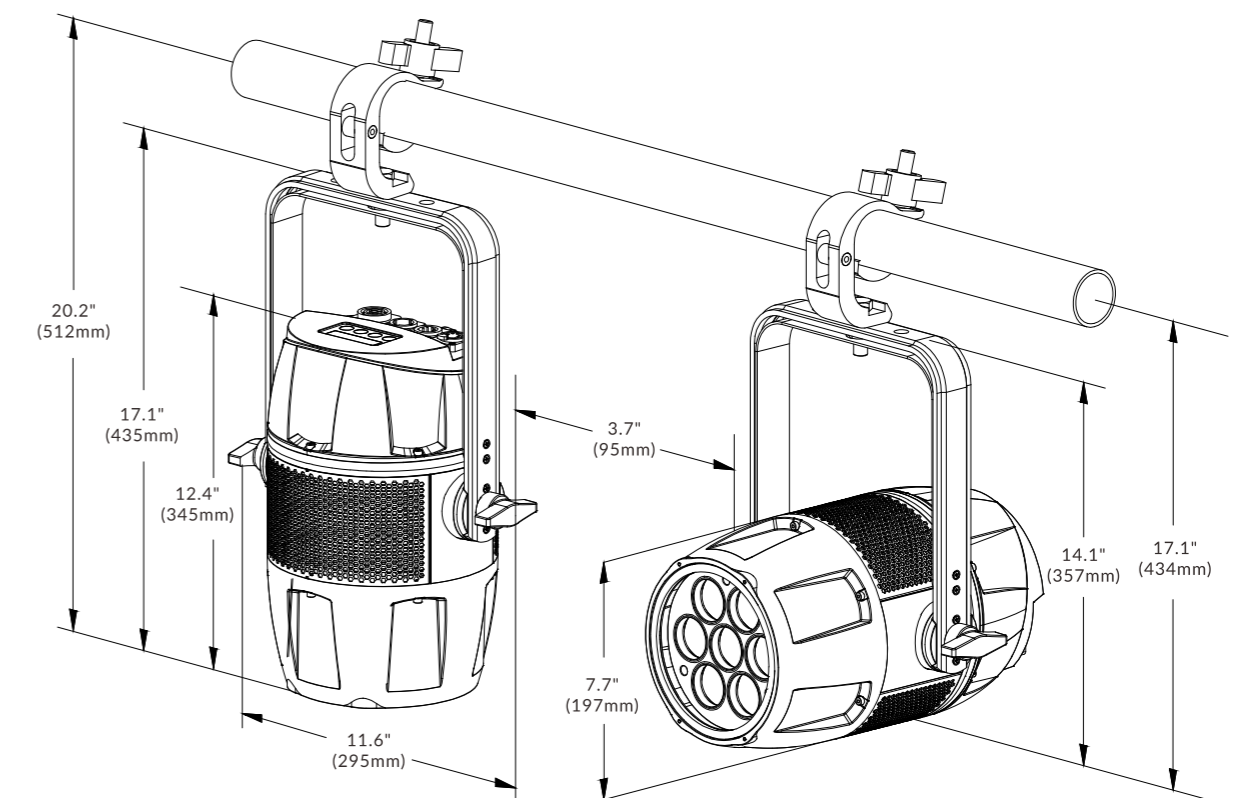
CIE1931 CHROMATICITY COORDINATES(Big Angle)



LUMINOUS INTENSITY DISTRIBUTION DIAGRAM



## DIMENSIONS



EXTERIOR / OUTDOOR

EXTERIOR / OUTDOOR