

COOLIE 546

BW 546

FEATURES

- Compact size, light weight
- variable CTO : 2,500K-8,000K
- Intelligent light sense can automatically turn on the light mode and set the light duration according to the environment
- High output, low energy consumption
- 0-100% smooth dimming
- Outstanding strobe effect with variable speed
- IP66 protection rating
- Optional half or full size anti-glare shield



TECHNICAL SPECIFICATIONS

Specifications

- Light Source: 54 x 6W RGBW LED
- Beam Angle: 19°, 23°, 30°, 40°, 58°
- Field Angle: 37°, 45°, 59°, 74°, 100°
- Luminous Flux: 10,000 lm (45°)

Control

- DMX Channel: 10/8/5/4
- Protocols: DMX512, RDM, Primary/Secondary
- Firmware Upgrade via DMX link

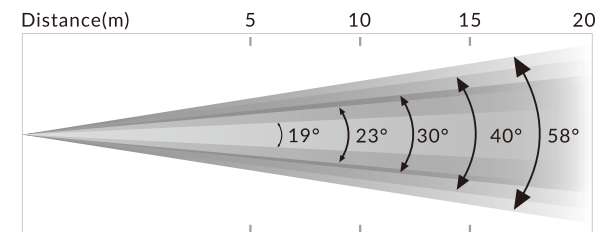
Construction

- Display: OLED display
- Data In/Out: bare wire output
- Power In/Out: bare wire output
- Hanger: Single hanger
- Protection Rating: IP66

Electrical and Physical

- Power Voltage: 100-240V~ 50Hz
- Power Consumption: 230 W
- Dimensions: 246x128x273mm (9.7"x5"x10.7")
- Carton Dimensions: 335x315x220mm (13.2"x12.4"x8.7")
- Weight: 4.6kg (10.1lbs)
5.4kg (11.9lbs)(One-pack per carton)

PHOTOMETRICS DIAGRAM



Distance(m)	5	10	15	20
19° Lux	2,950	738	328	184
Diameter(m)	1.67	3.3	5	6.7
23° Lux	2,780	695	309	174
Diameter(m)	2.1	4.1	6.2	8.2
30° Lux	1,805	451	201	113
Diameter(m)	2.7	5.4	8.1	10.8
40° Lux	1,250	313	139	78
Diameter(m)	3.6	7.2	10.8	14.4
58° Lux	850	213	94	53
Diameter(m)	5.6	11.2	16.7	22.3



OPTIONAL SHIELD

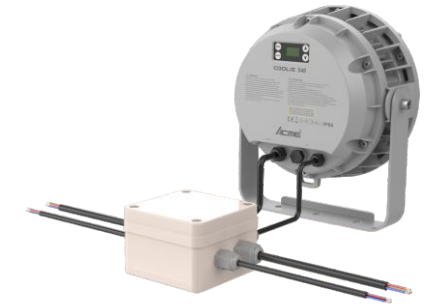
1



2

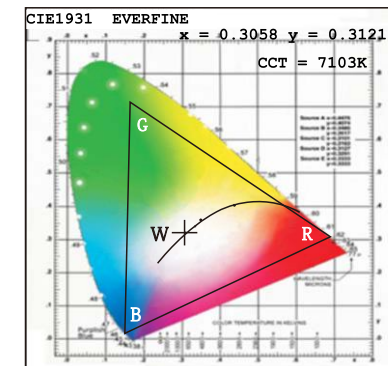


CONNECTION

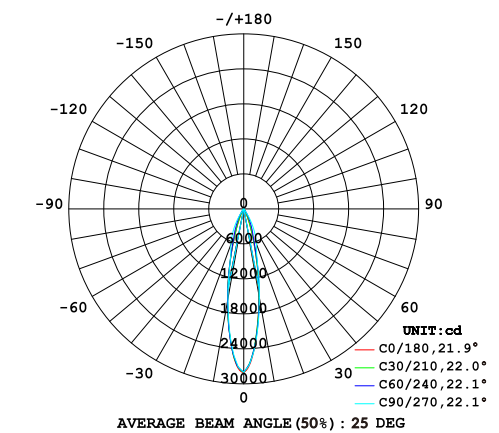


LIGHT QUALITY PARAMETER

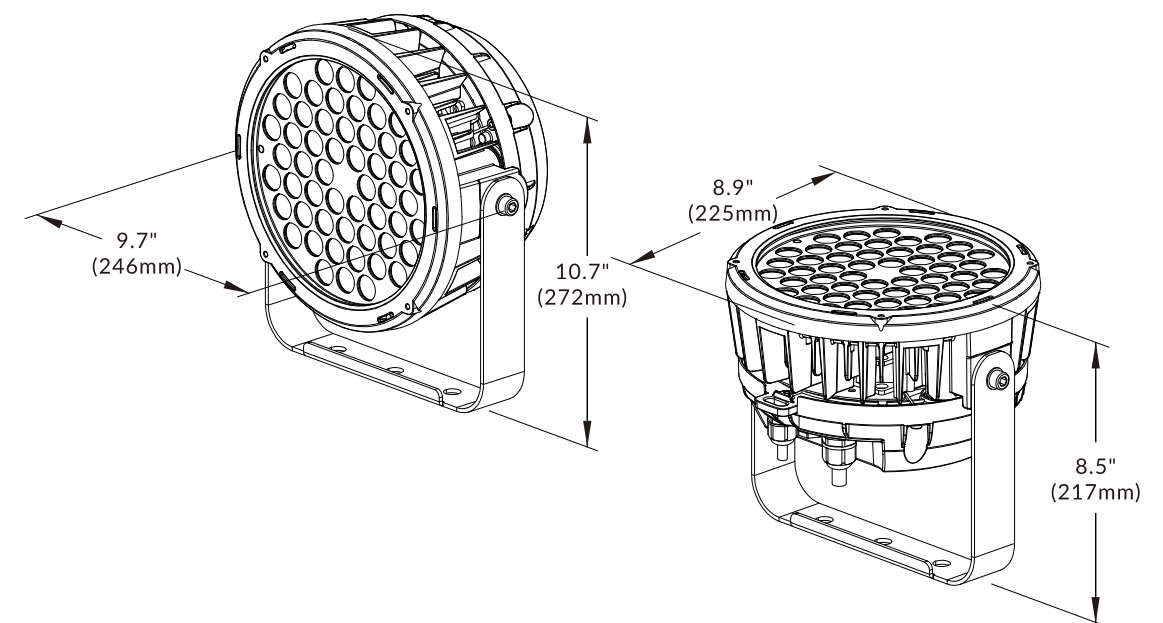
CIE1931 CHROMATICITY COORDINATES(Big Angle)



LUMINOUS INTENSITY DISTRIBUTION DIAGRAM



DIMENSIONS



PROJECT INSTALLATION

PROJECT INSTALLATION