

LYRA

XA 1000 BSWF IP

FEATURES

- High Efficiency 1,000W 8,000K White LED Engine with 160 mm frontal lens for greater performance
- Dual output modes at your hand: Standard Mode: Ra>70, 35,000lm; HCRI Mode: Ra>90, 25,600lm
- Variable CTO Flags(2,700-6,700K) and CMY Filters easily switching
- Color Wheel: 5 colors plus open
- Static Gobo Wheel: 9 gobos plus open
- Rotating Gobo Wheel: 7 indexable and interchangeable gobos
- Animation Wheel: 1 graphic animation effect wheel with continuous rotation in both directions and can be changed into other wheels
- Dual Prisms and Dual Frost Filters for more dynamic effects
- 4 Rotating full blackout framing shutter blades with individual positionable; Rotation of the framing system module: +/- 60°
- IP66 protection rotating that withstands all weather conditions



TECHNICAL SPECIFICATIONS

Light Source

- Light Source: 1,000W 8,000K White LED Engine
- Color Temperature Output: 6,700K
- Total Lumen Output(RA>70): 36,000lm
- HCRI Mode Output(RA>90): 25,600lm
- LED life expectancy: 20,000 hours*
- Rated Source Life: up to 20,000 hours*

Optical System

- Advanced optical design to ensure precise gobos and colors
- High - efficiency zoom optical system
- Beam angle: 6°-50°
- Diameter of Front Lens: 160mm

Control and Program

- 4-Button touch panel
- Display: LCD display
- Protocols: DMX512, RDM
- DMX Protocol modes: 5
- Control channels: 40/39/30/31/22
- Firmware Upgrade: Upgrade via DMX link

Movement

- Pan movement: 540°
- Tilt movement: 260°
- Automatic Pan/Tilt position correction
- Fixation: Pan/ Tilt lock

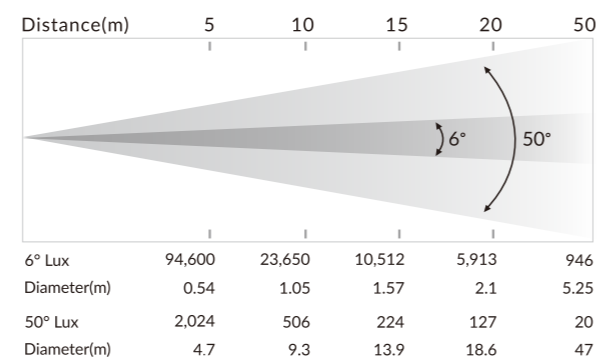
Electrical and Connectors

- Input Voltage Range: 100-240~ 50/60Hz
- Power consumption: 1,190W
- Power In/Out: Waterproof Power Connector In
- Data in/out: 3-pin/5-pin Waterproof XLR Socket
- Protection rating: IP66

Specification

- Fixture Dimensions: 412 x 330 x 718 mm (16.2" x 13.0" x 28.3")
- Weight: 42.0 kg (92.6 lbs.)
- Flight Case Dimensions 1: 1,140 x 760 x 840 mm(44.9" x 29.9" x 33.1")
- Weight: 166.0 kg (366.0 lbs.) (two-pack loader case)
- Flight Case Dimensions 2: 620 x 590 x 850 mm(24.4" x 23.2" x 33.5")
- Weight: 83.0 kg (183.0 lbs.) (one-pack loader case)

PHOTOMETRICS DIAGRAM



FUNCTIONAL EFFECT

CMY+CTO



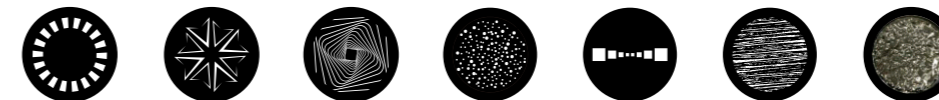
Color Wheel



Static Gobo Wheel



Rotating Gobo Wheel



Animation Wheel



Framing Module



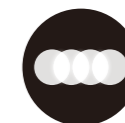
Linear Iris



4-Facet Prism



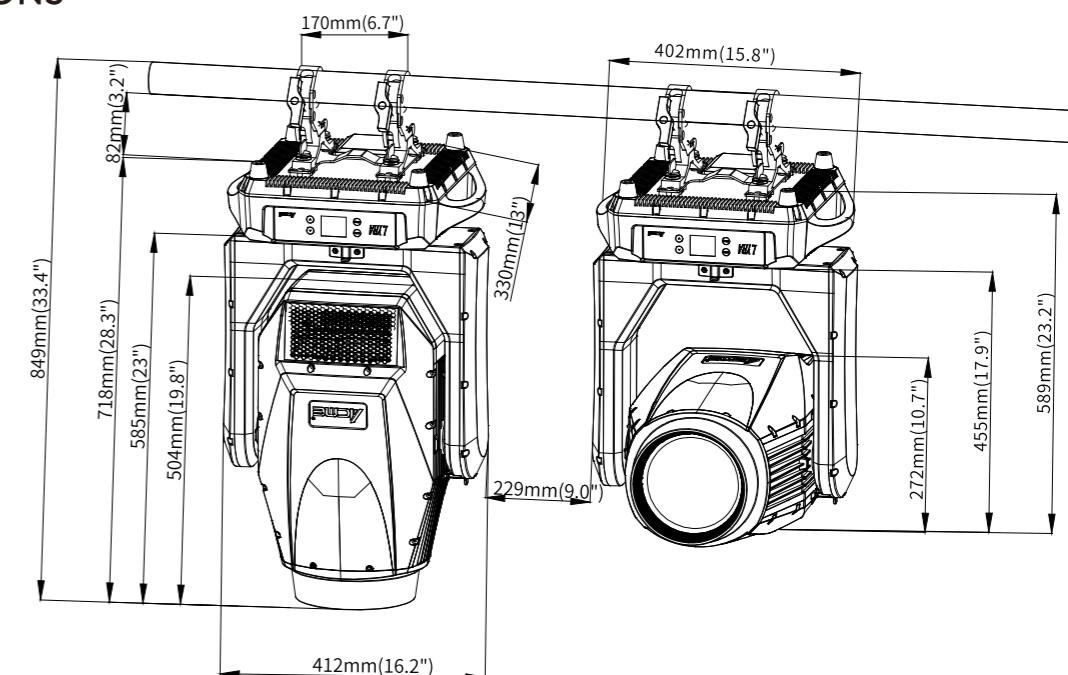
4-Facet Linear Prism



Frost Filter



DIMENSIONS



(*Light source's working life depends on the cycle ratio of its usage pattern and other environmental factors, such as dust, oil, temperature, humidity, etc.)

