

# VIRGO

XP 550 BSW IP

## FEATURES

- Diameter of frontal lens: 165 mm
- Lamp life: 4,000 hours\*
- Linear CMY color mixing
- Colour Temperature Output: 6,700K
- CTO color temperature from 3,200k to 6,700k with linear-gradient
- 1 color wheel with 14 colors plus white
- 1 static gobo wheel with 16 gobos plus open
- 1 rotating gobo wheel with 7 gobos plus open, convenient replacement
- 1 rotatable and replaceable animation wheel with outstanding water and flame effect
- 8-facet prism + 6-facet linear prism, rotatable in both directions and overlayable
- IP66 protection rating
- 0~100% smooth dimming
- Motorized focus
- Independently frost effect
- Outstanding strobe effect with variable speed
- Flicker free management
- Dust-proof and oil-proof design



## TECHNICAL SPECIFICATIONS

### Specifications

- Light Source: Philips MSD Platinum 500L Flex
- Total lumen output up to 17,500lm
- Lamp life: 4,000 hours\*
- Zoom range:
  - Beam Mode: 2°~7°
  - Spot Mode: 5°~32°
  - Wash Mode: 8°~70°

### Control

- DMX Channel: 26/19
- Protocols: DMX512, RDM
- Firmware upgrade via DMX link

### Pan/Tilt

- Pan/Tilt movement: 540°/ 260°
- Pan/Tilt Resolution: 16-bit
- Fixation: Tilt lock

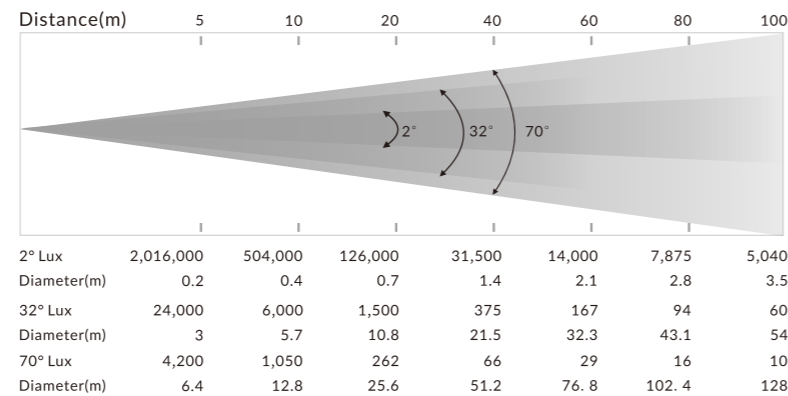
### Construction

- Display: LCD display
- Battery backup for user setup without power connection
- Data in/out: 3-pin or 5-pin waterproof XLR
- Power In/Out: Waterproof Power Connector in/out
- Protection Rating: IP66

### Electrical and Physical

- Input voltage range: 100-240V~ 50/60Hz
- Power Consumption: 810W
- Dimensions: 499x326x789mm (15.8"x12.1"x28.5")
- Flight case Specification: 715 x 595 x 905mm (28.1" x 23.4" x 35.6")
- Weight: 41.5 kg (91.5 lbs)
- Weight: 89.5 kg (197.3 lbs)

## PHOTOMETRICS DIAGRAM

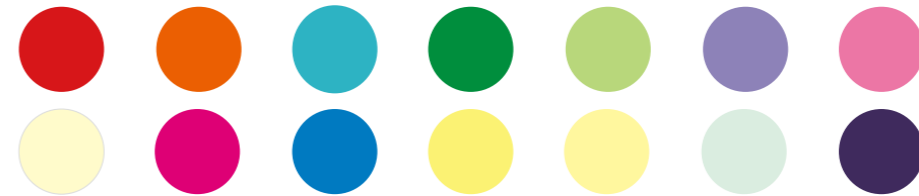


## FUNCTIONAL EFFECT

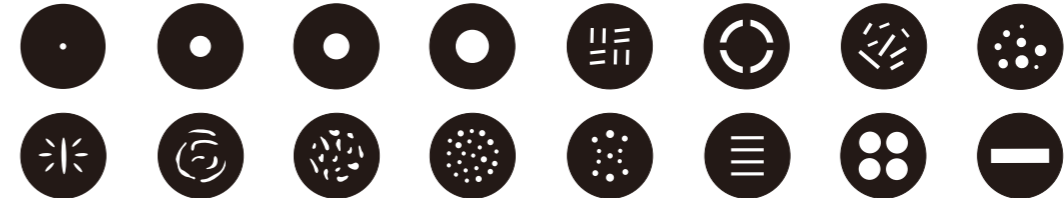
CMY+CTO



Color Wheel



Static Gobo Wheel



Rotating Gobo Wheel



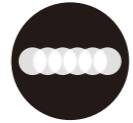
Animation Wheel



8-Facet Prism



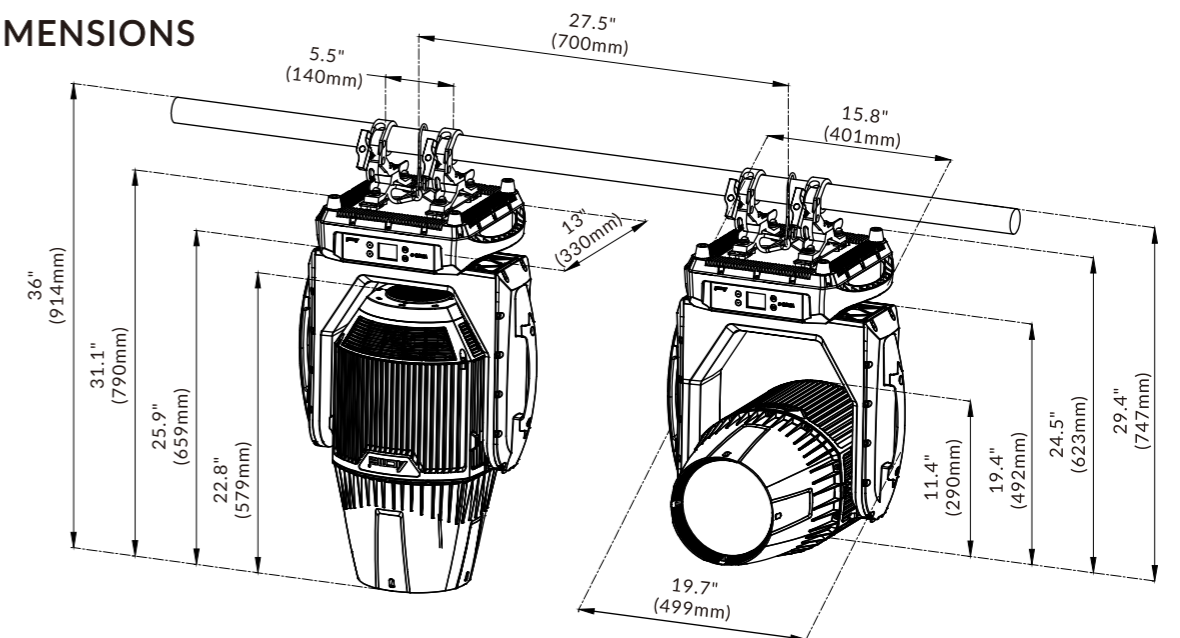
6-Facet Linear Prism



Frost Filter



## DIMENSIONS



EXTERIOR / OUTDOOR

EXTERIOR / OUTDOOR

(\*Light source's working life depends on the cycle ratio of its usage pattern and other environmental factors, such as dust, oil, temperature, humidity, etc.)