

OZONE

CM-400Z IP

FEATURES

- Variable CTO: 2,500K-8,000K
- Pixel control, outstanding color macro effect
- Motorized liner zoom system, zoom range: 6°-40°
- Smooth dimming from 0-100%
- Outstanding strobe effect with variable speed
- Fast and silent operation
- Flicker-free management
- Protection Rating: IP65

TECHNICAL SPECIFICATIONS

Specifications

- Light Source: 7 x 40 W RGBW LED
- Zoom Angle:
 - Beam Angle: 6°-40°
 - Field Angle: 10°-60°
- Total lumen output up to 3,173 lm

Control

- DMX Channel: 17/37
- Protocols: DMX512, RDM
- Firmware Upgrade via DMX link or USB disk

Pan/Tilt

- Pan/Tilt movement: 540°/ 250°
- Pan/Tilt Resolution: 16-bit

Construction

- Display: LCD display
- Data In/Out: 3-pin or 5 pin IP XLR
- Power In/Out: Waterproof Power Connector in/out
- Protection Rating: IP65

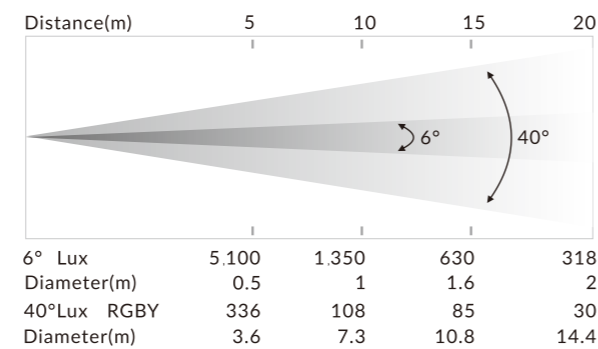
Electrical and Physical

- Input Voltage Range: 100-240V~ 50/60Hz
- Power Consumption: 370 W
- Dimensions: 303 x 210 x 457mm (11.9" x 8.2" x 17.9")
- F/C Dimensions: 800 x 660 x 675 mm (31.5" x 26" x 26.6")
- Weight: 16 kg (35.2 lbs)

109kg (240.3lbs)(Quad Loader Case)

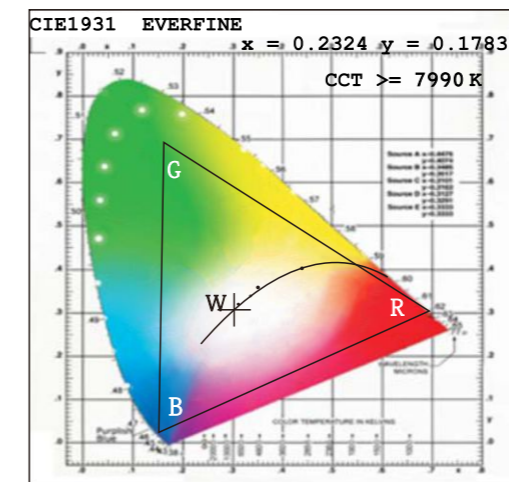


PHOTOMETRICS DIAGRAM

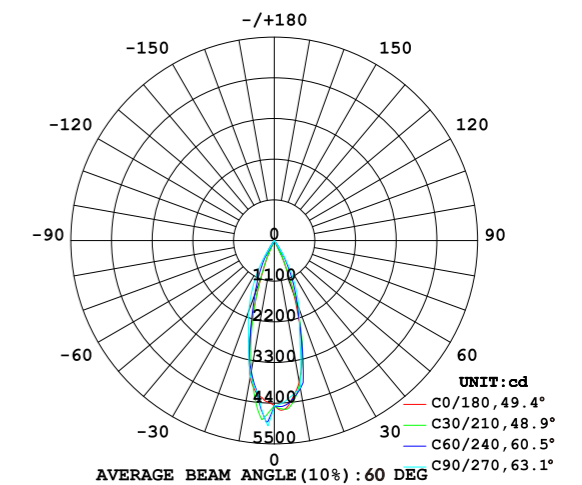


LIGHT QUALITY PARAMETER

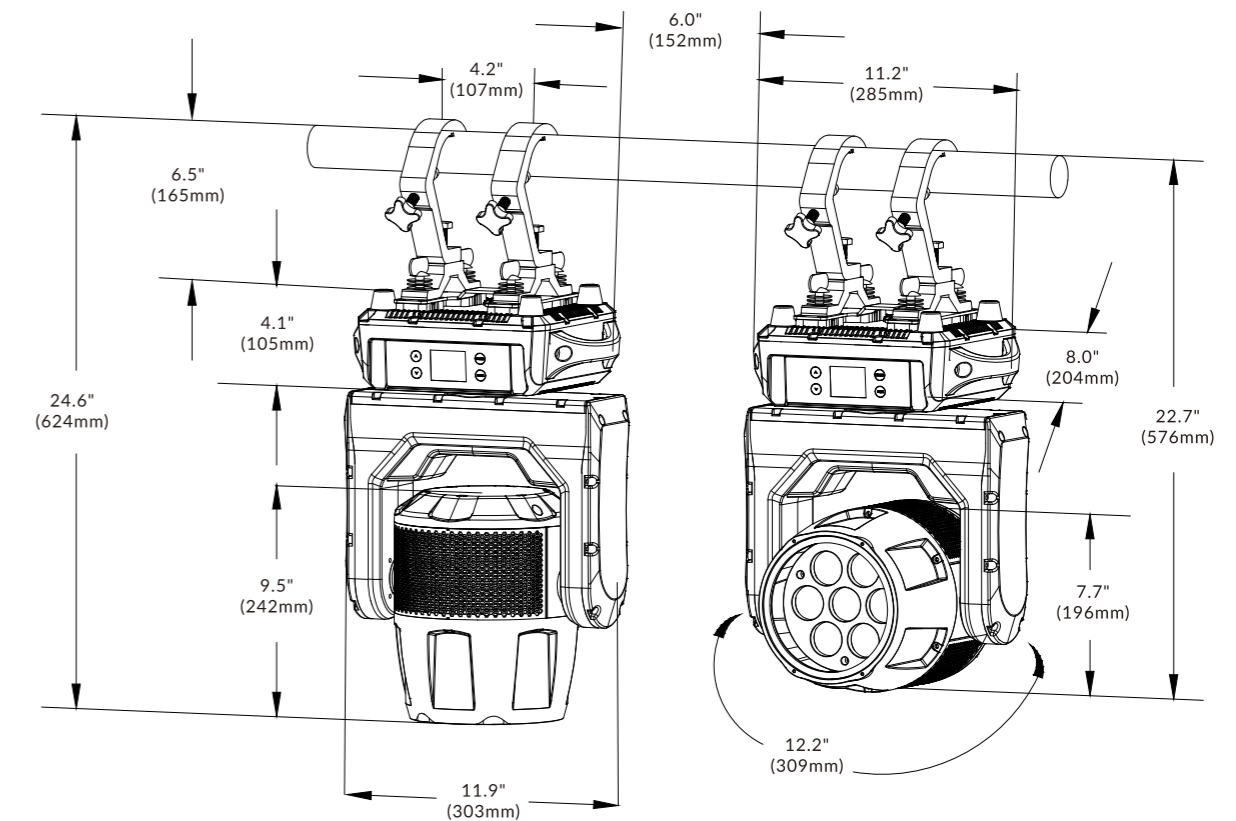
CIE1931 CHROMATICITY COORDINATES(Big Angle)



LUMINOUS INTENSITY DISTRIBUTION DIAGRAM



DIMENSIONS



EXTERIOR / OUTDOOR

EXTERIOR / OUTDOOR