

THUNDERSTRUCK

LP-2304

FEATURES

- 12 x led zones can be controlled individually
- Uniform color mixing effect
- Outstanding strobe effect with variable speed.
- Smooth dimming from 0-100%
- IP65 protection rating
- Total lumen output up to 72,000 lm
- Optional barn-door can prevent glare



TECHNICAL SPECIFICATIONS

Specifications

- Light Source: 2,304 pcs x 0.8 W RGBW LED
- Beam Angle: 110°
- Field Angle: 152°

Control

- DMX Channel: 4/8(16bit)/8/9/52 Channels
1/2V/2H/3/4/6V/6H/12 Pixels
- Protocols: DMX512, RDM, Art-Net, sACN
- Firmware Upgrade via DMX link

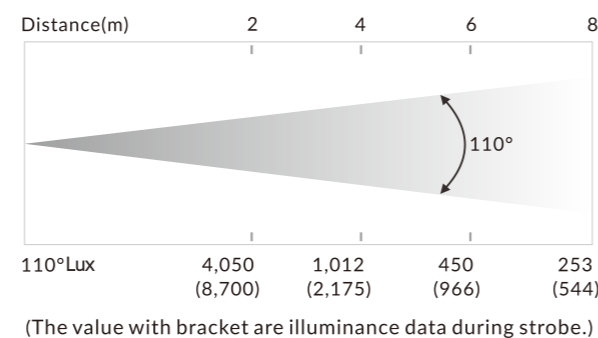
Construction

- Display: OLED display
- Data In/Out: 3-pin or 5-pin IP XLR, RJ45
- Power In/Out: Waterproof Power Connector in/out
- Protection Rating: IP65

Electrical and Physical

- Input Voltage Range: 100-240V~ 50/60Hz
- Power Consumption: 1,500 W
- Dimensions: 623 x 123 x 397mm (24.5" x 4.8" x 15.6")
- F/C Dimensions: 745 x 685 x 595mm (29.3" x 27" x 23.4")
- Flight Case Dimensions: 1,220 x 815 x 630 mm (48.0" x 32.1" x 24.8")
- Weight: 16 kg (35 lbs)
73 kg (160.9 lbs) (includes flight case, six per flight case)

PHOTOMETRICS DIAGRAM



BARN DOOR

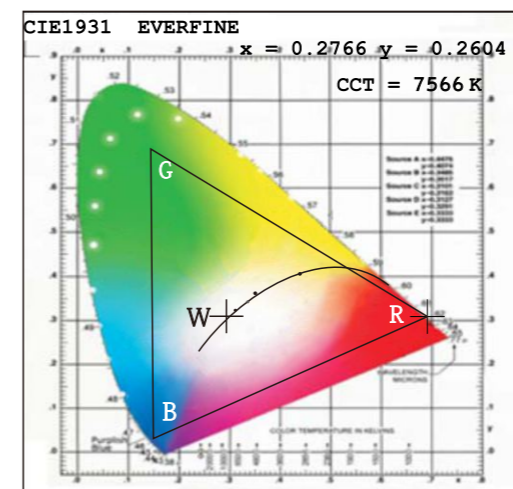


IP65

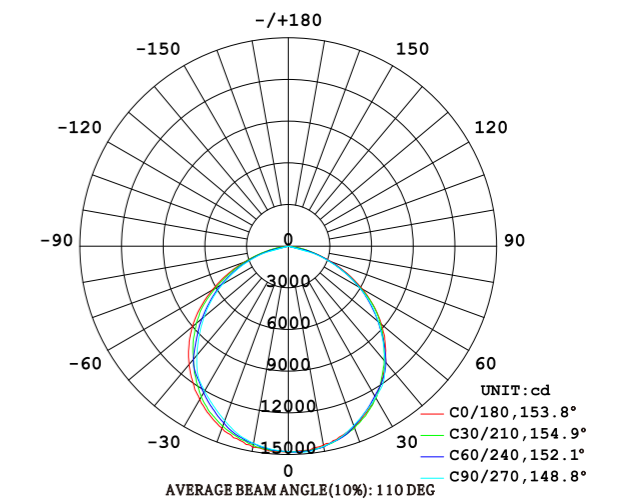


LIGHT QUALITY PARAMETER

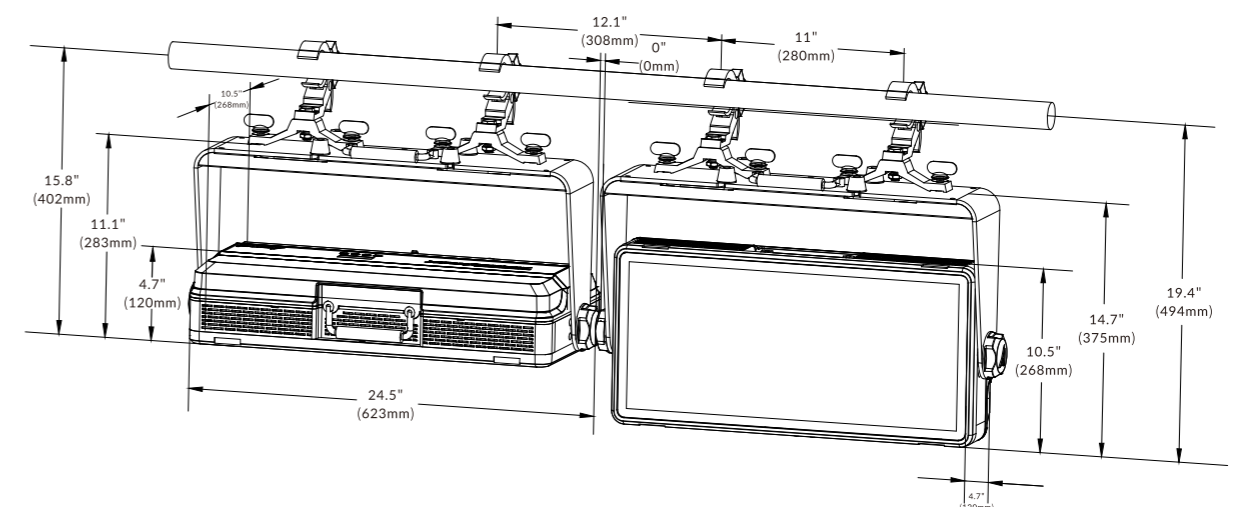
CIE1931 CHROMATICITY COORDINATES(Big Angle)



LUMINOUS INTENSITY DISTRIBUTION DIAGRAM



DIMENSIONS



EXTERIOR / OUTDOOR

EXTERIOR / OUTDOOR