



# VD-T



**User Manual**

---

Please read the instruction carefully before use

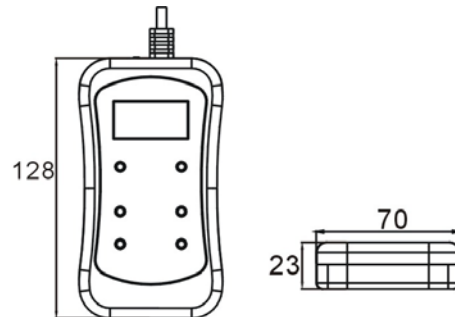
## TABLE OF CONTENTS

1. Technical Specifications.....	2
2. Control Panel.....	2
3. Main Function .....	3
3.1 Manual Setting .....	3
3.2 Auto Setting.....	5
3.3 Quit Settings.....	6

## 1. Technical Specifications

VD-T is a specially designed handy confirm tool for all ACME integral fixtures and Controllers. By connecting VD-T to any fixture via XLR, user can easily confirm DMX address, Channel modes, White Balance, Manual Colors, Fade Speed and other functions on the ACME LED fixtures.

- **Power Input:** 6F22 9V battery
- **Weight:** 0.158 kg
- **Dimension:** 128 x 23 x 70mm



## 2. Control Panel

### POWER:

ON/OFF, power on or power off (In the condition of automatically power off, press MENU button to power the VD-T)

### DMX OUTPUT:

Connectors for DMX input

### MENU:

To show the programming functions

### ENTER:

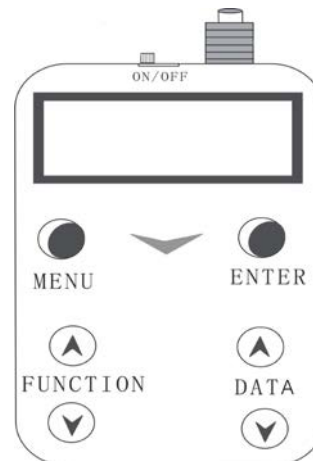
To confirm the selected functions

### FUNCTION:

To select the functions

### DATA:

To select the data



### 3. Main Function

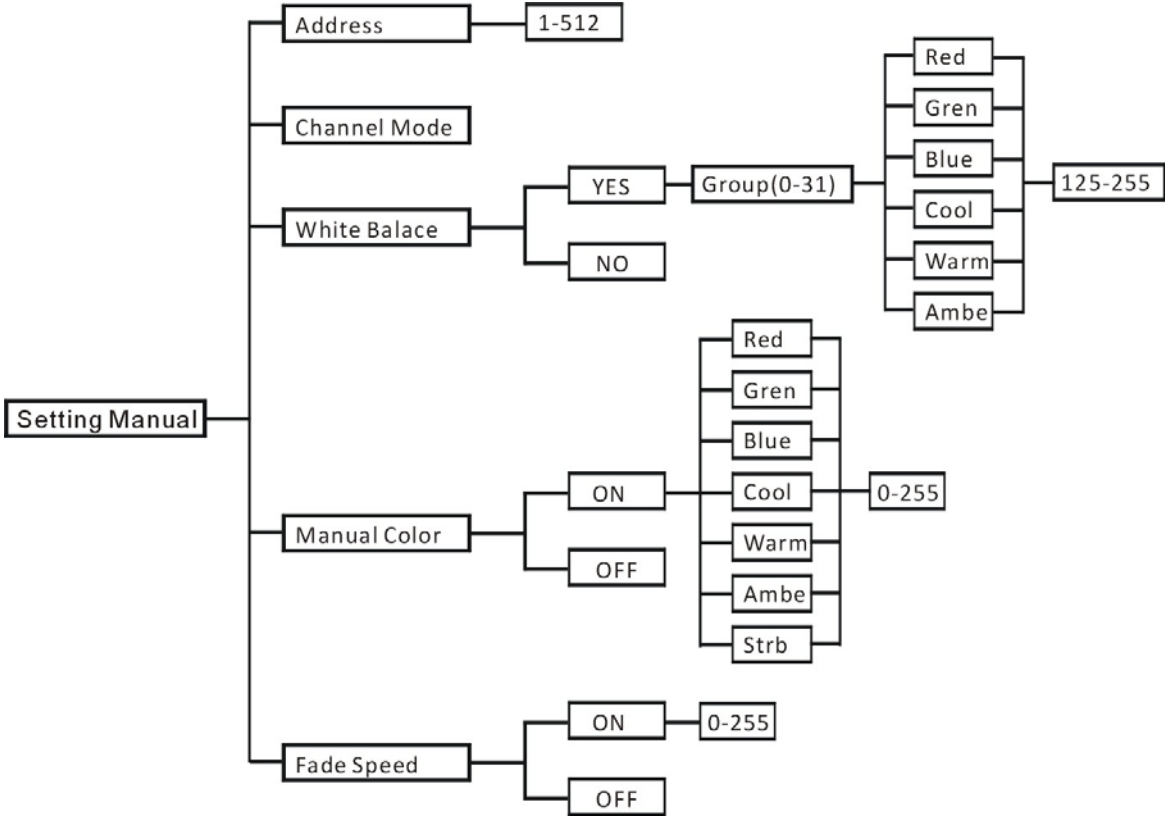
Every time you turn the unit on, it will show the version on the display, press **ENTER** button the unit will carry out "Set Addr", equipment will set extemporaneous address on light, after performing 8 seconds, it will show "Setting Manual" on the display, press **FUNCTION** ▲ or ▼ button and "setting Auto" will show on the display. Select the model you desired, press **ENTER** button to enter function which you want. Afterward press **ENTER**, it will automatically power off to prolong battery life without any change after 30 seconds. If you choose "Setting Manual", you can set up address, channel mode, white balance, manual color, and fade speed manually. In "Setting Auto" mode, you can automatically set up address and channel mode. Press **MENU** button until "Quit Set" is shown on the display to exit settings.

#### 3.1 Manual Setting

For the Manual Setting you can operate the unit in two ways:

1. Choose one operation step, to set up fixture by fixture.
2. Choose one fixture, to set up the functions step by step.

We will have instructions as below.



## 1. Choose one operation step, to set up fixture by fixture.

Press **FUNCTION** ▲ or ▼ button to select “Setting Manual”, press **ENTER** button to confirm. We can press **FUNCTION** ▲ or ▼ to choose 1-9999 lights in every step, then set up the fixture.

### DMX 512 Address Setting

In “Setting Manual” model, use the **FUNCTION** ▲ or ▼ to select the Address setting, the unit you selected will lighting in green once press **ENTER** button, it will be displayed “Address 0001” and press **FUNCTION** ▲ or ▼ to choose 1-9999 lights, use **DATA** ▲ or ▼ button to select the DMX 512 address, once the address has been selected, press **ENTER** button to confirm, then schedule bar will be showed 1-2 seconds, while light display green which lighted some times, that’s be OK.

### Channel Mode

In “Setting Manual” model, press **ENTER** button to confirm, use the **FUNCTION** ▲ or ▼ to select the channel mode, it will be showed “CH Mode 0001”, and press **FUNCTION** ▲ or ▼ to choose 1-9999 lights, use **DATA** ▲ or ▼ button to select the DMX 512 address, once the address has been selected, press **ENTER** button to confirm, then schedule bar will be showed 1-2 seconds, while light display green which lighted some times, that’s be OK.

### White Balance

In “Setting Manual” model, use the **FUNCTION** ▲ or ▼ to select the white balance model, press **ENTER** button, it will be showed “W-Balace 0001,” the unit you select 1-9999 lights will lighting in green once press **FUNCTION** ▲ or ▼, press **DATA** ▲ or ▼ to select **NO** or **YES**, once **YES** showed need select, **NO** showed DON’T select, press **ENTER** button after enter **YES**, it will be showed “W-Balance group”, Use **DATA** ▲ or ▼ button to select the fixture group that you need adjust White Balance: GROUP: 0-31, then press enter button to confirm. Use **FUNCTION** ▲ or ▼ to select the red, green, blue, cool, warm and amber. Then use **DATA** ▲ or ▼ button to adjust the white balance (125-255), once selected, press **ENTER** button to confirm, then schedule bar will be showed 1-2 seconds, while light display green which lighted some times, that’s be OK.

### Manual Color

Press the **MENU** button, press **ENTER** button to enter, use the **FUNCTION** ▲ or ▼ to select the

manual color, the unit you selected will lighting in green, it will be showed “Manual-C 0001: OFF” the unit you select 1-9999 lights will lighting in green once press **FUNCTION** ▲ or ▼, press **DATA** ▲ or ▼ to select **NO** or **YES**, once **YES** showed need select, **NO** showed DON’T select, press **ENTER** button after enter **YES**, it will be showed “Manual-C Red: 255”, use **FUNCTION** ▲ or ▼ to select the red, green, blue, cool, warm, amber and strobe. Then use **DATA** ▲ or ▼ button to adjust the manual color (0-255), once selected, press **ENTER** button to confirm, then schedule bar will be showed 1-2 seconds, while light display green which lighted some times, that’s be OK.

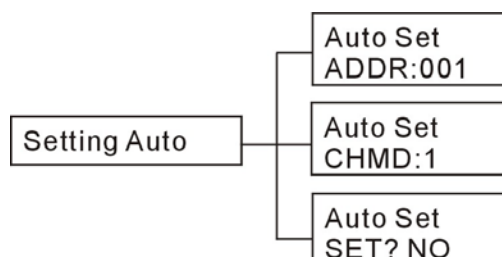
### Fade Speed

Press the **MENU** button, press **ENTER** button to enter, use the **FUNCTION** ▲ or ▼ to select the 1-9999 lights, press **DATA** ▲ or ▼ to select **NO** or **YES**, once **YES** showed need select, **NO** showed DON’T select, press **ENTER** button after enter **YES**, it will be showed “Fade SP 0001: \*\*\*”, use **DATA** ▲ or ▼ button to adjust the **Fade Speed** (0-255), once selected, press **ENTER** button to confirm, then schedule bar will be showed 1-2 seconds, while light display green which lighted some times, that’s be OK.

## 2. Choose one fixture, to set up the functions step by step

Press **FUNCTION** ▲ or ▼ button to select “Setting Manual”, press **ENTER** button to confirm, then press **FUNCTION** ▲ and ▼ button in the same time. Press **FUNCTION** ▲ and ▼ button to select the 1-9999 lights, press **ENTER** button to confirm. Then you can set up the functions step by step like the first way.

### 3.2 Auto Setting



Select “Setting Auto” and press **ENTER** button to confirm, use **Function** ▲ or ▼ to select “Auto Set ADDR: 001”, the unit you selected will lighting in green, Press **ENTER** button and use **DATA** ▲ or ▼ button to change the DMX 512 address (001-512), once selected, press **ENTER** button to

confirm, use **FUNCTION** ▲ or ▼ to select “Auto Set CHMD: 1”, the unit you selected will lighting in green, Press **ENTER** button and use **DATA** ▲ or ▼ button to change the channel mode, once selected, press **ENTER** button to confirm, use **FUNCTION** ▲ or ▼ to select whether carry out automatically setting, press **YES** save the settings or **NO** for giving up.

### **3.3 Quit Settings**

When “Setting Manual” shows on the display, press **MENU** button, it will show “Quit Set” then press **ENTER** button to quit settings, and it will show the version on the display and automatically power off without any change after 25 seconds.

#### **Declaration of Conformity**

We declare that our products (lighting equipments) comply with the following specification and bears CE mark in accordance with the provision of the Electromagnetic Compatibility (EMC) Directive 89/336/EEC.

EN55103-1: 2009 ; EN55103-2: 2009; EN62471: 2008;  
EN61000-3-2: 2006 + A1:2009 + A2:2009; EN61000-3-3: 2008.

**&**

#### **Harmonized Standard**

EN 60598-1:2008 + All:2009; EN 60598-2-17:1989 + A2:1991; EN 62471:2008;  
EN 62493: 2010

Safety of household and similar electrical appliances  
Part 1: General requirements

**Innovation, Quality, Performance**