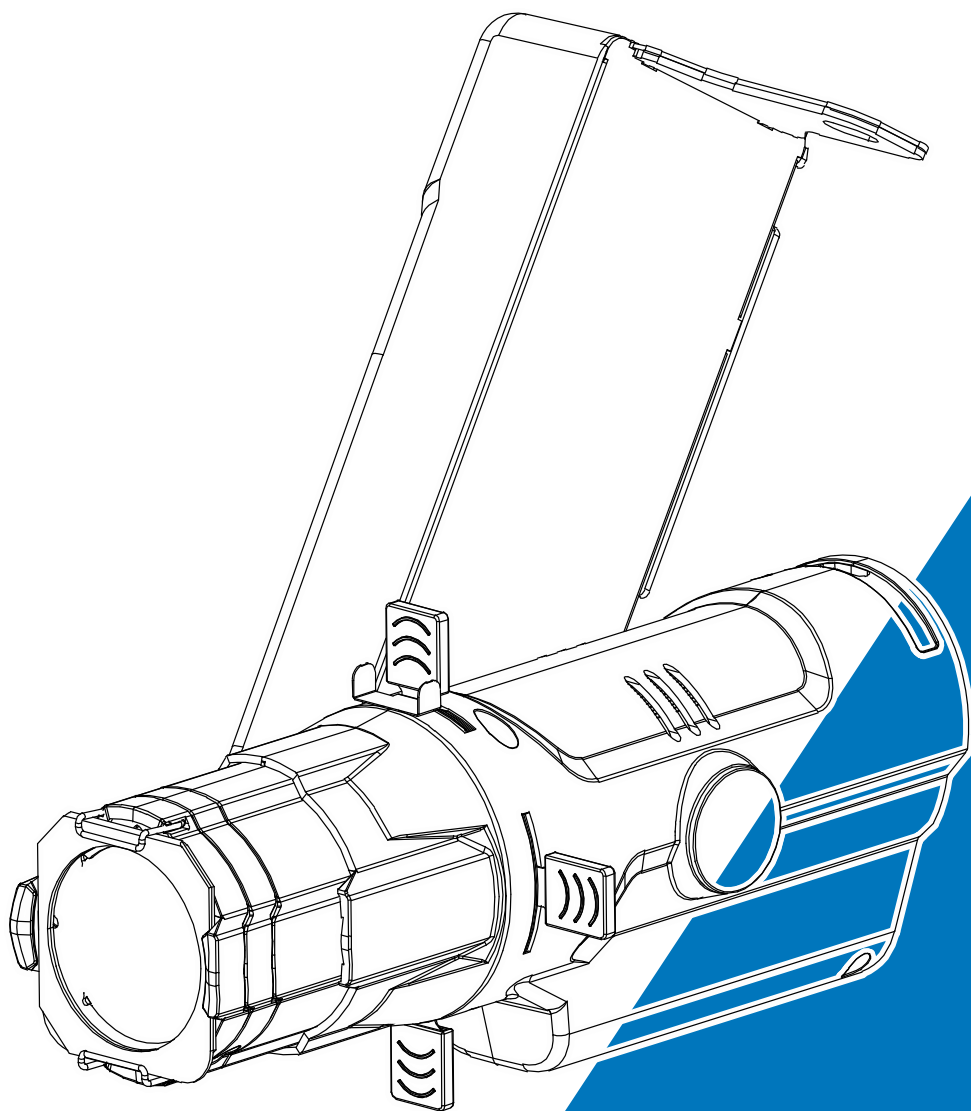




E-40D TC DXX



**User Manual**

Please read the instruction carefully before use

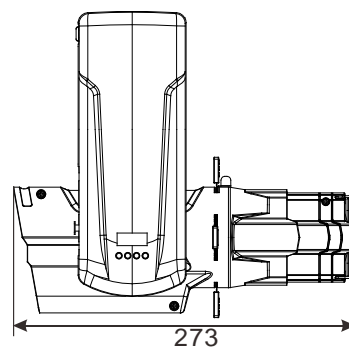
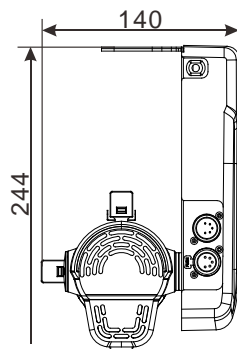
## Feature:

E-40D TC is DMX Version, Uniform light, sharp image edge, and self-locking focus lens. The product takes advantage of the heat pipe heat conduction and housing feature to dissipate heat without fan to prolong LED life.

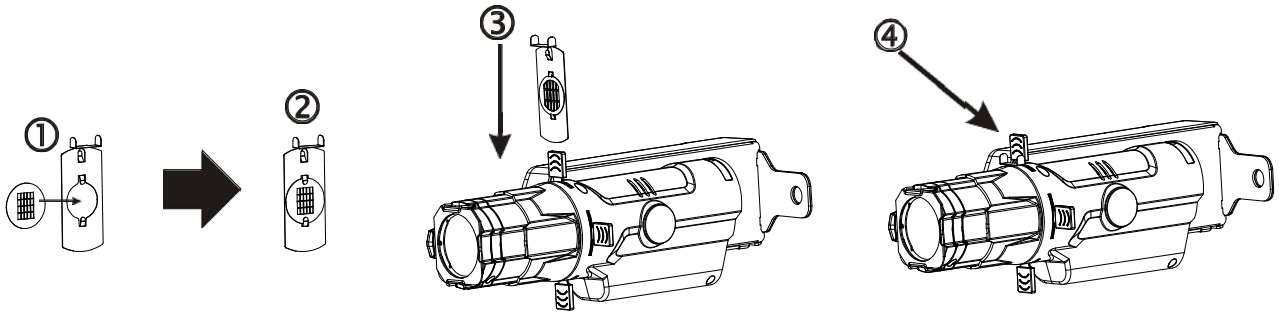
- ◇ **Light Source:** 1 x 20W RGB LED
- ◇ **Color temperature:** 2800 ± 150K  
6000 ± 150K
- ◇ **Beam Angle:** 19°/26°/36°/50°

## Specification:

- ◇ **Power Voltage:** AC 100~240V,50/60Hz
- ◇ **Power Consumption:** 32W
- ◇ **Weight:** 1.6Kgs
- ◇ **Dimension:** 273 x 244 x 140 mm



## How To Change The Gobo

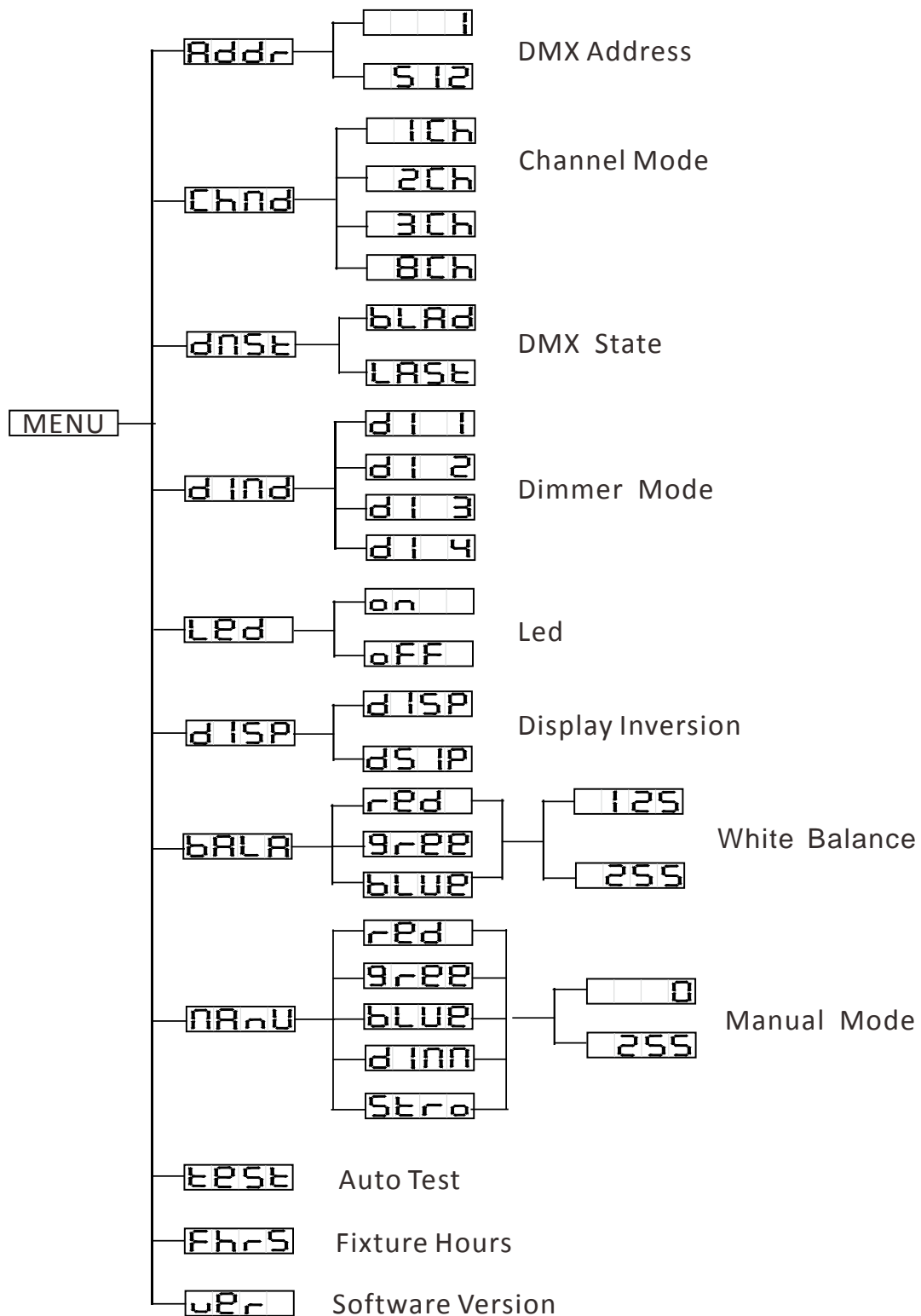


At first, put the gobo by hand as the arrow into the gobo gel splint, and insert the gobo gel splint into the slot of the unit, please turn the hand knob to left or right in order to take out gobo gel splint.

## Main Function

To select any of the given functions, press the MENU button up to when the required one is showing on the display. Select the function by ENTER button and the display will blink. Use the DOWN/UP button to change the mode. Once the required mode has been selected, press the ENTER button to setup, to go back to the functions without any change press the MENU button again. Hold and press the MENU button about one second or wait for one minute to exit the menu mode.

The main functions are showing below:



## **Addr** DMX Address

Press the MENU button up to when the **Addr** is shown on the display. Pressing ENTER button and the display will blink. Use DOWN and UP button to change the value from **1** to **512**. Once the mode

has been selected, press the ENTER button to setup, to go back to the functions without any change press the MENU button again. Hold and press the MENU button about one second or wait for one minute to exit the menu mode.


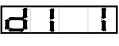
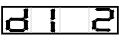
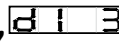
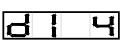
### **CHNd** Channel Mode

Press the MENU button to show **CHNd** on the display. Press the ENTER button and the display will blink. Use the DOWN and UP button to select the **1ch**, **2ch**, **3ch** or **8ch**. Once the mode has been selected, press the ENTER button to setup, to go back to the functions without any change press the MENU button again. Hold and press the MENU button about one second or wait for one minute to exit the menu mode.

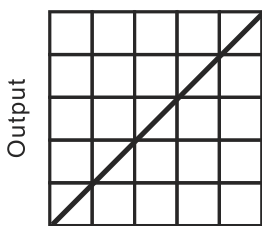
### **DMSE** DMX State

Press the MENU button up to when the **DMSE** is shown on the display. Pressing ENTER button, Use DOWN and UP button to select the **BLAd** (**blackout mode**) or **LRSE** (**last state**). Once the mode has been selected, press the ENTER button to setup, to go back to the functions without any change press the MENU button again. Hold and press the MENU button about one second or wait for one minute to exit the menu mode.

## Dimmer Mode

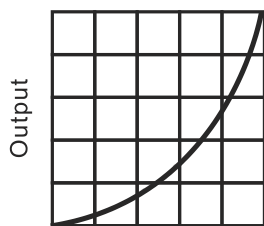
Press the MENU button up to when the  is shown on the display. Pressing the ENTER button. Use DOWN and UP button to select the  (**dimmer 1**),  (**dimmer 2**),  (**dimmer 3**) or  (**dimmer 4**). Once the mode has been selected, press the ENTER button to setup, to go back to the functions without any change press the MENU button again. Hold and press the MENU button about one second or wait for one minute to exit the menu mode.

### Dimmer Modes



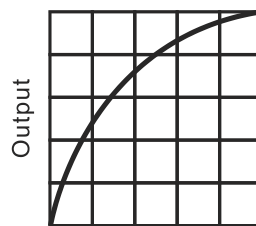
DMX %

Optically Linear



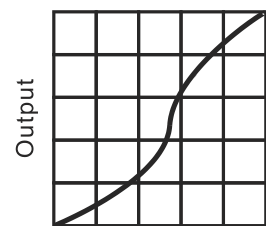
DMX %

Square Law



DMX %

Inverse Square Law



DMX %

S-curve

#### **Mode 1(Optically Linear):**

The increase in light intensity appears to be linear as DMX value is increased.

#### **Mode 2(Square Law):**

Light intensity control is finer at low levels and coarser at high levels.

#### **Mode 3(Inverse Square Law):**

Light intensity control is coarser at low levels and finer at high levels.

#### **Mode 4(S-cure):**

Light intensity control is finger at low levels and high levels and coarser at medium levels.

### **LED** LED

Press the MENU button up to when the **LED** is shown on the display. Pressing ENTER button and the display will blink. Use DOWN and UP button to select **on** (On) or **off** (Off), Once the mode has been selected, press the ENTER button to setup, to go back to the functions without any change press the MENU button again. Hold and press the MENU button about one second or wait for one minute to exit the menu mode.

### **DISP** Display Inversion

Press MENU button until **DISP** is blinking on the display. Use the DOWN and UP button to select **DISP** (normal) or **DISP** (inverse), Once the mode has been selected, press the ENTER button to setup, to go back to the functions without any change press the MENU button again. Hold and press the MENU button about one second or wait for one minute to exit the menu mode.

### **BAL** White Balance

Press the MENU button up to when the **BAL** is shown on the display. Pressing ENTER button and the display will blink. Use DOWN and UP button to select **red** (red), **green** (green), **blue**

(blue), ,Once the mode has been selected, press the ENTER button to setup the value from **125** to **255**, to go back to the functions without any change press the MENU button again. Hold and press the MENU button about one second or wait for one minute to exit the menu mode.

### **MENU** Manual Mode


Press the MENU button up to when the **MENU** is shown on the display. Pressing ENTER button and the display will blink. Use DOWN and UP button to select **red** (red), **green** (green), **blue** (blue), **dim** (dimmer), **strobe** (strobe),Once the mode has been selected, press the ENTER button to setup the value from **0** to **255**, to go back to the functions without any change press the MENU button again. Hold and press the MENU button about one second or wait for one minute to exit the menu mode.

### **TEST** Auto Test


Press the MENU button up to when the **TEST** is blinking on the display. Press the ENTER button and the unit will run the built-in programmer for self-test. To go back to the functions press the MENU button.

### **Fhrs** Fixture Hours



Press the MENU button up to when the  is blinking on the display. Press the ENTER button and the display will show the temperature of the unit. To go back to the functions press the MENU button.

### **Software version**

Press the MENU button up to when the  is blinking on the display. Press the ENTER button and the display will show the version of software of the unit. To go back to the functions press the MENU button.

## **DMX Controller**

By using a universal DMX controller to control the units, you will need to set DMX address from 1 to 512 so that the units can receive DMX signal.

Press the MENU button up to when the DMX Address is showing on the display. Pressing the ENTER button and the display will blink. Use the DOWN/UP button to change the DMX512 address. Once the address has been selected, press the ENTER button to setup, to go back to the functions without any change press the MENU button again. Hold and press the MENU button about one second or wait for one minute to exit the menu mode.

Please refer to the following diagram to address your DMX512

channel for the first 4 units:

Channel mode	Unit 1 Address	Unit 2 Address	Unit 3 Address	Unit 4 Address
1 channels	1	2	3	4
2 channels	1	3	5	7
3 channels	1	4	7	10
8 channels	1	9	17	25

## DMX 512 Configuration

1 CH MODE (MODE 1):

CHANNEL	VALUE	FUNCTION
1		<b>MACRO</b>
	000-007	Close
	008-034	2800K
	035-061	3200K
	062-088	3600K
	089-115	4000K
	116-142	4400K
	143-169	4800K
	170-196	5200K
197-223	5600K	

	224-255	6000K
--	---------	-------

2 CH MODE (MODE 2):

CHANNEL	VALUE	FUNCTION
1	000-255	<b>DIMMER</b> 0%~100%
2	000-255	<b>DIMMER FINE</b> 0%~100%

3 CH MODE (MODE 3):

CHANNEL	VALUE	FUNCTION
1	000-255	<b>RED</b> 0%~100%
2	000-255	<b>GREEN</b> 0%~100%
3	000-255	<b>BLUE</b> 0%~100%

8 CH MODE (MODE 4):

CHANNEL	VALUE	FUNCTION
1	000-255	<b>DIMMER</b> 0%~100%
2	000-255	<b>DIMMER FINE</b> 0%~100%
		<b>STROBE</b>
3	000-007 008-015 016-131 132-139 140-181 182-189 190-231 232-239 240-247 248-255	Close Open Strobe, Slow to Fast Open Slow Open, Fast Close Open Fast Open, Slow Close Open Random Strobe Open
4	000-255	<b>RED</b> 0%~100%
5	000-255	<b>GREEN</b> 0%~100%
6	000-255	<b>BLUE</b>

		0%~100%
		<b>COLOR</b>
	000	Close
	001-007	LEE 790 - Moroccan pink
	008-014	LEE 157 – Pink
	015-021	LEE 332 - Special rose pink
	022-028	LEE 328 - Follies pink
	029-035	LEE 345 - Fuchsia pink
	036-042	LEE 194 - Surprise pink
	043-049	LEE 181 - Congo Blue
	050-056	LEE 071 - Tokyo Blue
7	057-063	LEE 120 - Deep Blue
	064-070	LEE 079 - Just Blue
	071-077	LEE 132 - Medium Blue
	078-084	LEE 200 - Double CT Blue
	085-091	LEE 161 - Slate Blue
	092-098	LEE 201 - Full CT Blue
	099-105	LEE 202 - Half CT Blue
	106-112	LEE 117 - Steel Blue
	113-119	LEE 353 - Lighter Blue
	120-126	LEE 118 - Light Blue
	127-133	LEE 116 - Medium Blue Green

	134-140	LEE 124 - Dark Green
	141-147	LEE 139 - Primary Green
	148-154	LEE 089 - Moss Green
	155-161	LEE 122 - Fern Green
	162-168	LEE 738 - JAS Green
	169-175	LEE 088 - Lime Green
	176-182	LEE 100 - Spring Yellow
	183-189	LEE 104 - Deep Amber
	190-196	LEE 179 - Chrome Orange
	197-203	LEE 105 – Orange
	204-210	LEE 021 - Gold Amber
	211-217	LEE 778 - Millennium Gold
	218-224	LEE 135 - Deep Golden Amber
	225-255	LEE 164 - Flame Red
		<b>MACRO</b>
	000-007	Close
	008-034	2800K
	035-061	3200K
8	062-088	3600K
	089-115	4000K
	116-142	4400K
	143-169	4800K
	170-196	5200K

	197-223	5600K
	224-255	6000K

## Troubleshooting

- Following are a few common problems that may occur during operation. Here are some suggestions for easy troubleshooting:
- The fixture does not work, no light
- Check the connection of power and main fuse.
- Measure the mains voltage on the main connector.

## Maintenance

Clean the front transparent cover at least every 1-2 months. Use a moist, lint-free cloth. Never use alcohol or solvents!

## **Declaration of Conformity**

We declare that our products (lighting equipments) comply with the following specification and bears CE mark in accordance with the provision of the Electromagnetic Compatibility (EMC) Directive 89/336/EEC.

EN55103-1: 2009 ; EN55103-2: 2009; EN62471: 2008;  
EN61000-3-2: 2006 + A1:2009 + A2:2009; EN61000-3-3:  
2008.

**&**

## **Harmonized Standard**

EN60598-2-17:1989 + A2:1991; EN60598-1:2008+ A11: 2009

EN 62471:2008; EN 62493: 2010

Safety of household and similar electrical appliances

Part 1: General requirements

**Innovation, Quality, Performance**