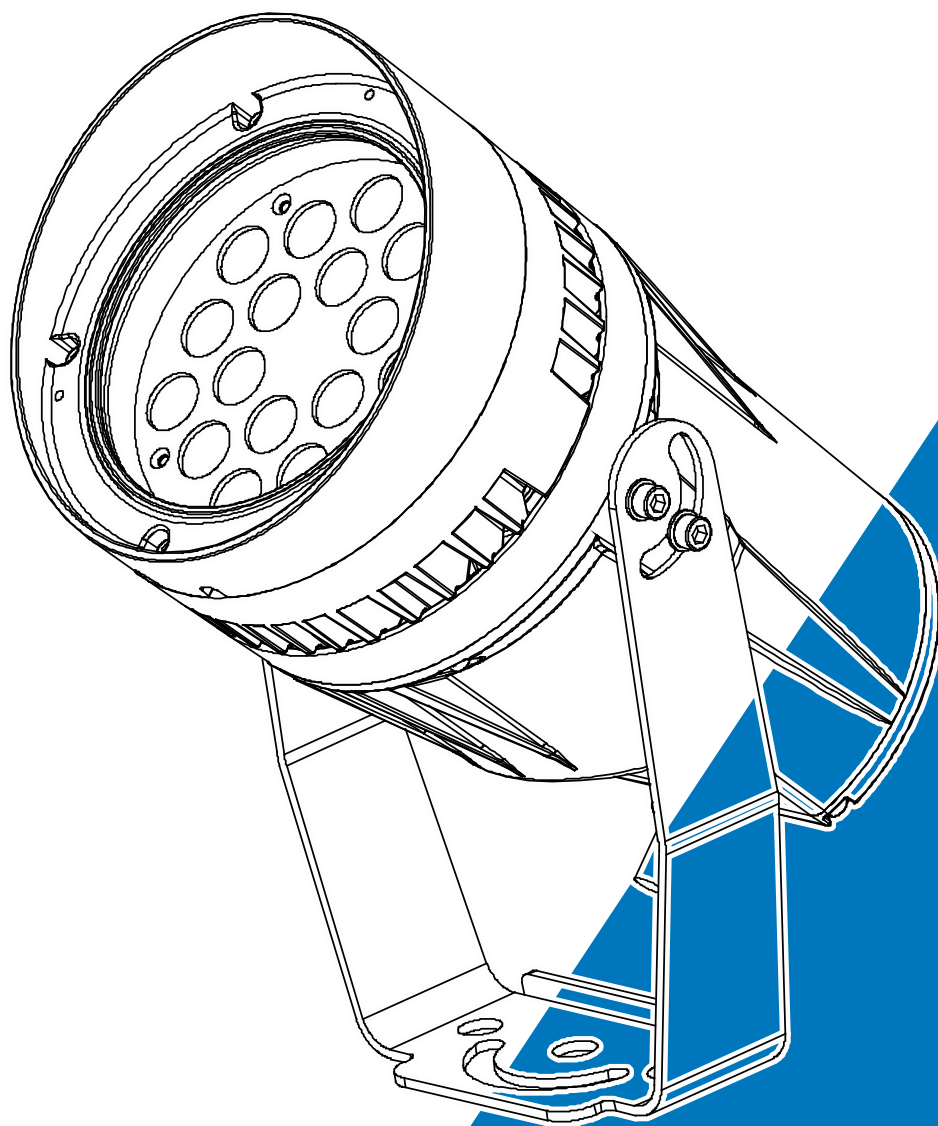




BUILDING PROJECTOR

BP-183 CW WW S AR DXX



User Manual

Please read the instruction carefully before use

CONTENT

1. Safety Instructions.....	2
2. Technical Specifications.....	3
3. Troubleshooting	4
4. Cleaning And Maintenance	4

1. Safety Instructions



WARNING

Please read the instructions carefully which includes important information about the installation, operation and maintenance.

- Please keep this User Guide for future consultation. If you sell the fixture to another user, be sure that they also receive this instruction booklet.



DANGER!
Safety hazard.
Risk of severe injury or death.



DANGER!
Hazardous voltage. Risk of lethal or severe electric shock.



WARNING!
Fire hazard.



WARNING!
LED light emission. Risk of eye injury.



WARNING!
Burn hazard. Hot surface. Do not touch.



WARNING! Refer to user manual.

Cautions:

- All fixtures are intact from the manufacturer, please operate follow up the user manual, artificial fault are not under guarantee repair.
- Please unpack and check carefully there is no transportation damage before using the fixture.
- Please install and operate by qualified technician.
- Before operating, ensure that the voltage and frequency of power supply match the power requirements of the fixture.
- It's important to ground with yellow/green conductor to earth in order to avoid electric shock.
- Maximum ambient temperature is 40°C. Don't operate it where the temperature is higher than this.
- Please make sure there are no flammable materials close to the fixture while operating, as it is fire hazard.
- Please look over power wires carefully, replace immediately if there is any damage.
- Please avoid any inflammable liquids, water or metal objects entering the

fixture. Once it happens, cut off the mains power immediately.

- DO NOT operate in dirty and dusty environment, also cleaning fixtures regularly.
- DO NOT allow children to operate the fixture.
- DO NOT touch any wire during operation as there might be a hazard of electric shock.
- In the event of serious operating problem, stop using the fixture immediately.
- DO NOT open the fixture as there are no user serviceable parts inside. Never try to repair the fixture by yourself. Repairs carried out by unskilled people can lead to damage or malfunction. Please contact the nearest authorized technical assistance center.
- Please disconnect the mains power if the fixture is not used for a long time.
- Please use original packing materials once transport it again.
- DO NOT look directly at the LED light beam while the fixture is on.

2. Technical Specifications

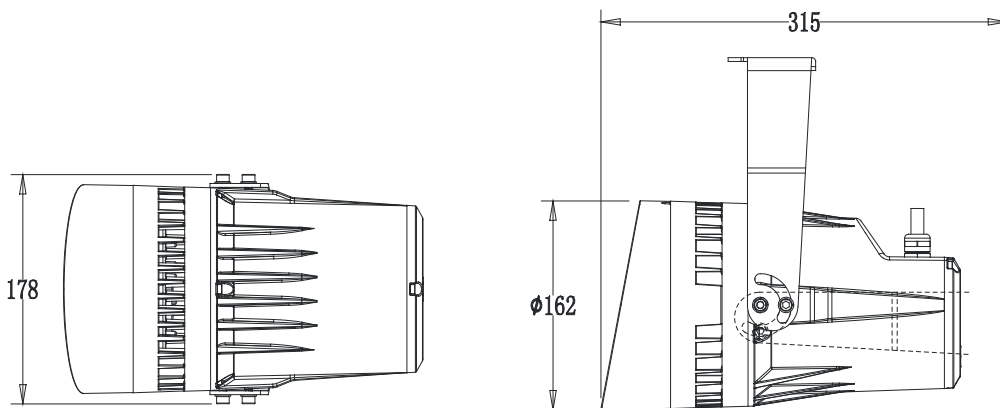
Features:

- IP66 rated LED Spotlight provides outstanding light output;
- Compact design with great heat ventilation in a rugged die-cast aluminum housing to ensure reliable performance under harsh environments;
- Featuring 18pcs×3W CREE LEDs;

With Photocell (light sensor) feature, units can light up automatically when the environment is getting dark;

- A nice design to put diffusion filter for changing beam angles;
- Perfect for illumination of building façade, hotels, landscapes, theme park and more.

- **Input Voltage:** AC 120V 60Hz or AC 230V 50Hz
- **Power Consumption:** 45W
- **LED:** 18 X 3W CREE LEDs
- **Beam Angle:** 6°, 15°, 25°, 40°, 60°, 80°
- **Color Temperature:**
 CW: 6300-7000K WW: 2550-2850K
- **Dimension:** 315X178X162 mm
- **Weight:** 3.8Kgs



3. Troubleshooting

If the fixture does not work, no light, please check the connection of power cable, also measure the mains voltage on the main connector.

4. Cleaning And Maintenance

The cleaning must be carried out periodically to optimize light output. Cleaning frequency depends on the environment in which the fixture operates: moist,

smoky or particularly dirty surrounding can cause greater accumulation of dirt on the fixture.

- Clean with lint-free cloth using normal glass cleaning liquid.
- Clean the surface at least every 30 days.

Declaration of Conformity

We declare that our products (lighting equipments) comply with the following specification and bears CE mark in accordance with the provision of the Electromagnetic Compatibility (EMC) Directive 89/336/EEC.

EN55103-1: 2009 ; EN55103-2: 2009; EN62471: 2008;
EN61000-3-2: 2006 + A1:2009 + A2:2009; EN61000-3-3: 2008.

&

Harmonized Standard

EN60598-2-17:1989 + A2:1991; EN60598-1:2008+ A11: 2009

EN 62471:2008; EN 62493: 2010

Safety of household and similar electrical appliances

Part 1: General requirements

Innovation, Quality, Performance