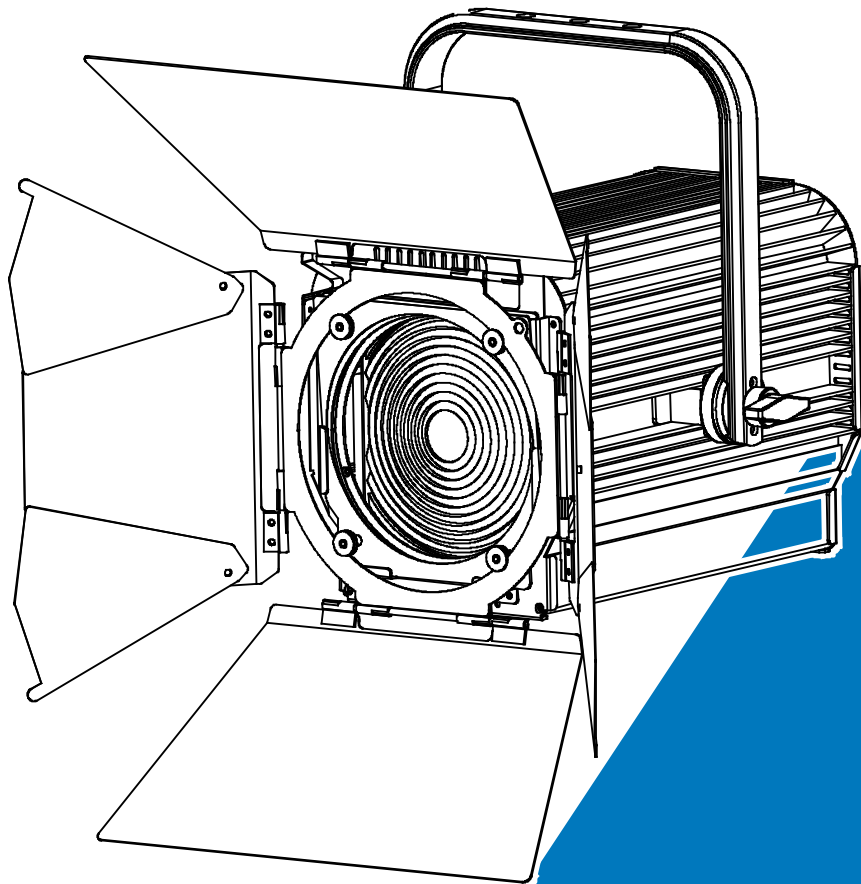




THEATER SPOT/WASH

LP-TS100 CW

LP-TS100 WW



User Manual

Please read the instruction carefully before use

CONTENTS

1. Safety Instructions.....	2
2. Technical Specifications	3
3. Accessories	4
4. How to Install the Barn Door	5
5. How to Set the Fixture.....	6
5.1 Control Panel	6
5.2 Main Function	7
6. How to Control the Unit	10
6.1 DMX Connection.....	10
6.2 DMX Controller.....	11
6.3 DMX512 Configuration	12
7. Troubleshooting	12
8. Fixture Cleaning.....	13

1. Safety Instructions



WARNING

Please read the instructions carefully which includes important information about the installation, operation and maintenance.

- Please keep this User Guide for future consultation. If you sell the unit to another user, be sure that they also receive this instruction booklet.
- All fixtures are intact from the manufacturer, please operate follow up the user manual, artificial fault are not under guarantee repair.
- Unpack and check carefully that there is no transportation damage before using the unit.
- The unit is for indoor use only. Use only in a dry location.
- DO install and operate by operator.
- Use safety chain when fixes the unit. Don't handle the unit by taking its head only, but always by taking its base.
- The unit must be installed in a location with adequate ventilation, at least 50cm from adjacent surfaces.
- Be sure to locate the unit in a place away from adjacent surfaces at least 1M.
- Be sure that no ventilation slots are blocked, otherwise the unit will be overheated.
- Before operating, ensure that the voltage and frequency of power supply match the power requirements of the unit.
- It's important to ground the yellow/green conductor to earth in order to avoid electric shock.
- Maximum ambient temperature TA: 40°C. Don't operate it where the temperature is higher than this.
- Unit's surface temperature may reach up to 85°C. Don't touch the housing bare-handed during its operation, and allow about 15 minutes for cooling the unit down before replacing bulb or maintenance as it could be very hot.
- DO NOT connect the device to any dimmer pack.
- Make sure there are no flammable materials close to the unit while operating, as it is fire hazard.
- Look over power wires carefully, replace immediately if there is any damage.
- Never run on for a long time lest shortening lifespan.
- Avoid any inflammable liquids, water or metal objects entering the unit. Once it happened,

cut off the mains power immediately.

- DO NOT operate in dirty and dusty environment, also cleaning fixtures regularly.
- DO NOT allow children to operate the fixture.
- DO NOT touch any wire during operation as there might be a hazard of electric shock.
- Avoid power wires twist other cables.
- Disconnect mains power before fuse/lamp replacement or servicing.
- Replace fuse only with the same type.
- In the event of serious operating problem, stop using the unit immediately.
- Never turn on and off the unit time after time.
- The housing, the lenses, or the ultraviolet filter must be replaced if they are visibly damaged.
- DO NOT open the unit as there are no user serviceable parts inside.
- Never try to repair the unit by yourself. Repairs carried out by unskilled people can lead to damage or malfunction. Please contact the nearest authorized technical assistance center.
- Disconnect the mains power if the fixture is not used for a long time.
- DO use original packing materials once transport it again
- DO NOT look directly at the LED light beam while the fixture is on.

Installation:

The unit should be mounted via its screw holes on the bracket. Always ensure that the unit is firmly fixed to avoid vibration and slipping while operating. Always ensure that the structure to which you are attaching the unit is secure and is able to support a weight of 10 times of the unit's weight. Also always use a safety cable that can hold 12 times of the weight of the unit when installing the fixture.

The equipment must be fixed by professionals. And it must be fixed at a place where is out of the touch of people and has no one pass by or under it.

Note: the range of mounting height is 0~30 meters.

2. Technical Specifications

- ◆ DMX512 control: 2 Channels Mode
- ◆ Focus: Automatic focus by DMX control
- ◆ Dimmer: 0 ~ 100%

- ◆ Beam angle: 12 ° ~ 40 °
- ◆ Color Temperature: 5300K-5800K(WW)/3200±200K(VW)
- ◆ Rotating filter and hanger
- ◆ Thermo-optical cooling technology, no noise

Power voltage: AC 100V ~ 240V, 50Hz/60 Hz

Power consumption: 141W

Body temperature: < 58°C

Working life: 50,000 hours

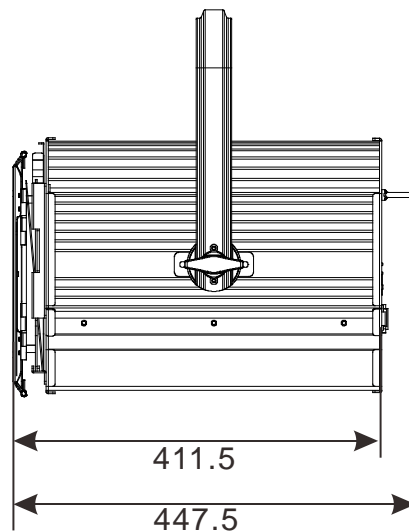
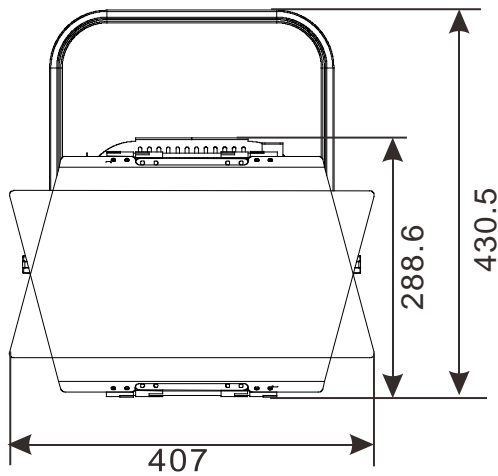
CRI: Ra>=90

Luminous efficiency: 24.3Lm/W (WW)

34.64Lm/W (CW)

Weight: 18.2kgs

Dimension : 430.5×407×447.5mm



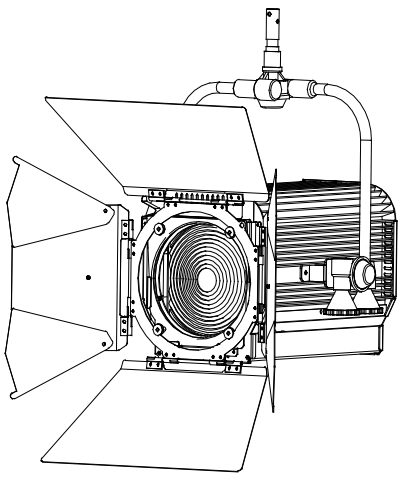
3. Accessories

Standard Accessories

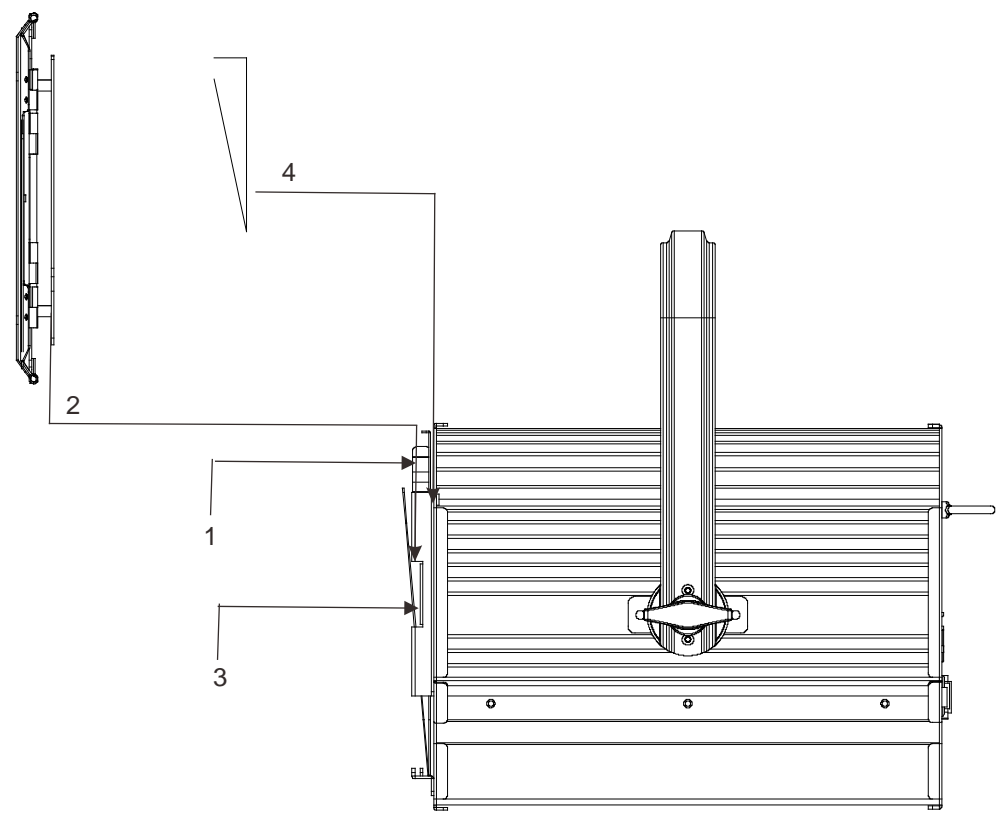
Simple Bracket

Optional Accessories

Adjustable Bracket



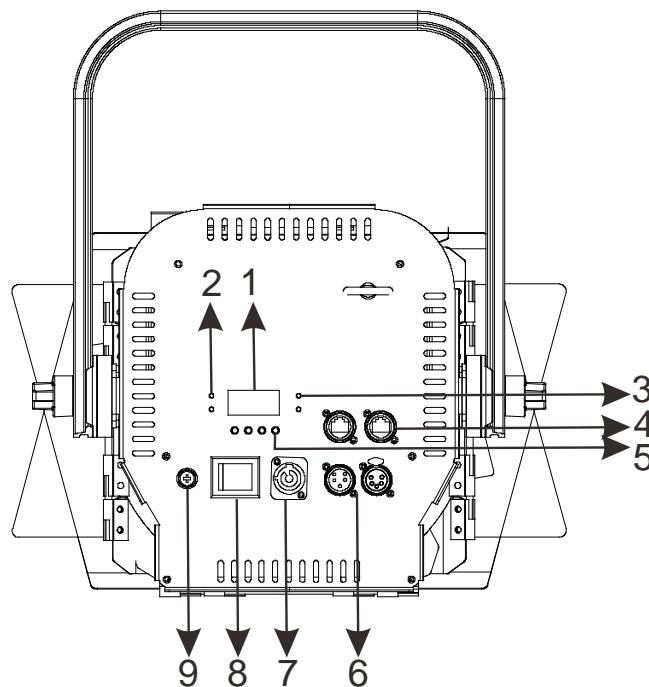
4. How to Install the Barn Door



- ① Open the spring by hands.
- ② Insert the barn door into the outside slot from top side.
- ③ Open the barn door, and then fasten the safety cable.
- ④ Insert the barn door into the inside slot from top side.

5. How to Set the Fixture

5.1 Control Panel



1. Display: To show the various menus and the selected functions

LED:

2. DMX	On	DMX input present
3. POWER	On	Power On

4. Ethernet: To transfer the unit's information to the main controller

5. Button:

MENU	To select the programming functions
▼ DOWN	To go backward in the selected functions
▲ UP	To go forward in the selected functions
ENTER	To confirm the selected functions

6. DMX IN/OUT: For DMX512 link, use 5-pin XLR plugs cable to link the unit and input/output the DMX signal.

7. Power Cable: To connect to the mains supply.

8. Power Switch: To turns On/Off the power.

9. Fuse (T 3.15A): To protect the unit from damage of over current.

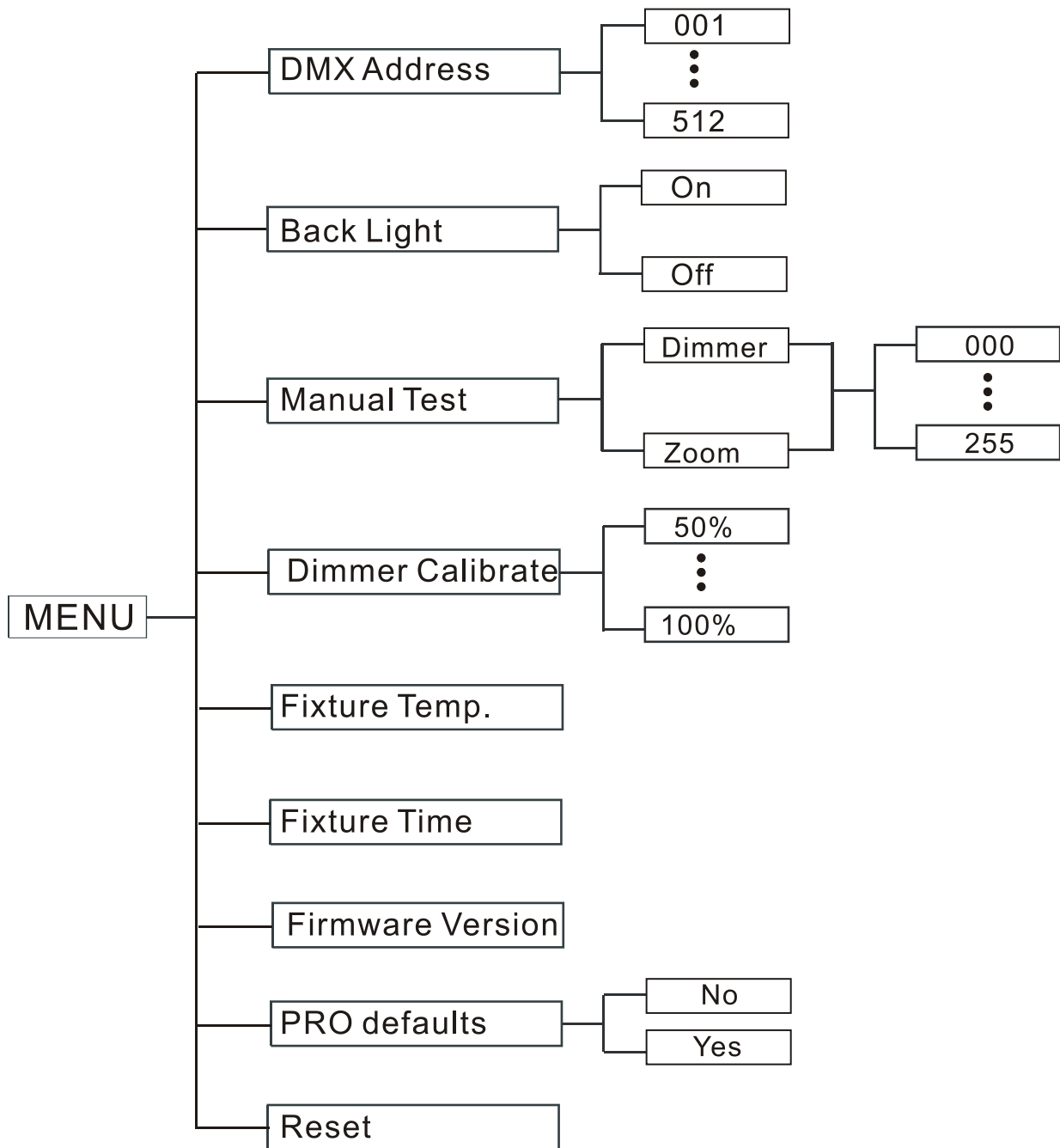
5.2 Main Function

To select any functions, press the **MENU** button until the required one is shown on the display.

Select the function by the **ENTER** button and the display will blink. Use the **DOWN** and **UP** button to change the mode. Once the required mode has been selected, press the **ENTER** button to setup or it will automatically return to the main functions without any change after idling one minute.

Back to the functions without any change press the **MENU** button.

The main functions are shown below:



DMX Address

Select **DMX Address**, press the **ENTER** button to confirm, the present address will blink on the display. Use the **UP** and **DOWN** button to adjust the DMX address from **001** to **512**. Once the address has been selected, press the **ENTER** button to setup, to go back to the functions without any change press the **MENU** button again. Hold and press the **MENU** button about one second or wait for one minute to exit the menu mode.

Back Light

Select **Back Light**, press the **ENTER** button to confirm, present mode will blink on the display. Use the **DOWN** and **UP** button to select the **On** (Led on) or **Off** (Led off) mode. Once the mode has been selected, press the **ENTER** button to setup, to go back to the functions without any change press the **MENU** button again. Hold and press the **MENU** button about one second or wait for one minute to exit the menu mode.

Manual Test

Select **Manu Test**, press the **ENTER** button to confirm, present mode will blink on the display. Use the **DOWN** and **UP** button to select the **Dimmer** or **Zoom**. Once the mode has been selected, press the **ENTER** button to setup, use the **DOWN** and **UP** button to change the value (000~255). Once the mode has been selected, press the **ENTER** button to setup, go back to the functions without any change press the **MENU** button again. Hold and press the **MENU** button about one second or wait for one minute to exit the menu mode.

Dimmer Calibrat.

Select **Dimmer Calibrat.**, press the **ENTER** button to confirm, the present mode will blink on the display. Use the **UP** and **DOWN** button to adjust the value from 50% to 100%. Once selected, press the **ENTER** button to setup, to go back to the functions without any change press the **MENU** button again. Hold and press the **MENU** button about one second or wait for one minute to exit the menu mode.

Fixture Temp.

Select **Fixture Temp.** , press the **ENTER** button and the display will show the temperature of the unit. To go back to the functions press the **MENU** button again. Hold and press the **MENU** button about one second or wait for one minute to exit the menu mode.

Fixture Time

Select **Fixture Time**, press the **ENTER** button and the display will show the number of working hours of the unit. To go back to the functions press the **MENU** button again. Hold and press the **MENU** button about one second or wait for one minute to exit the menu mode.

Firmware Version

Select **Firmware version**, press the **ENTER** button and the display will show the version of software of the unit. To go back to the functions press the **MENU** button again. Hold and press the **MENU** button about one second or wait for one minute to exit the menu mode.

PRO defaults

Select **PRO defaults**, press the **ENTER** button and the display will blink. Use the **DOWN** and **UP** button to select the **Yes** (run built-in program to set the fixture to PRO Defaults settings) or **No**. Press the **ENTER** button to setup, to go back to the functions without any change press the **MENU** button again. Hold and press the **MENU** button about one second or wait for one minute to exit the menu mode.

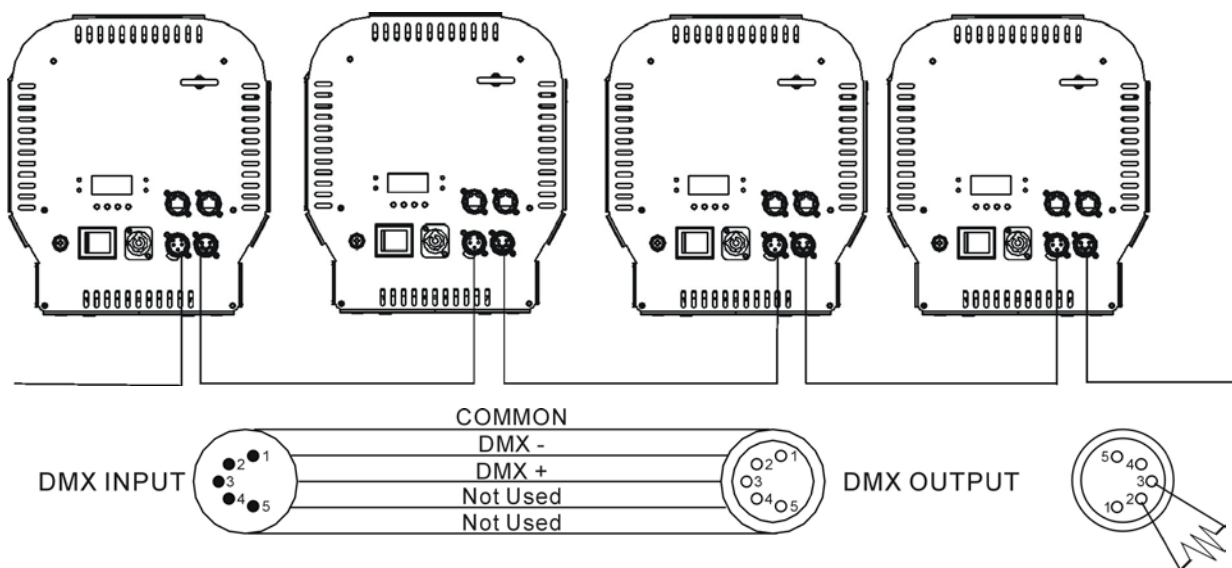
Reset

Select **Reset**, press the **ENTER** button and all channels of the unit will return to their standard position.

6. How to Control the Unit

6.1 DMX Connection

The DMX512 is widely used in intelligent lighting control, with a maximum of 512 channels.



1. Connect the fixture together in a “daisy chain” by XLR plug cable from the output of the fixture to the input of the next fixture. The cable cannot be branched or split to a “Y” cable.

Inadequate or damaged cables, soldered joints or corroded connectors can easily distort the signal and shut down the system

2. The DMX output and input connectors are pass-through to maintain the DMX circuit when one of the units' power is disconnected.
3. At last fixture, the DMX cable has to be terminated with a terminator to reduce signal errors. Solder a 120-ohm 1/4W resistor between pin 2(DMX-) and pin 3(DMX+) into a 3-pin XLR-plug and plug it in the DMX-output of the last fixture.
4. Each lighting fixture needs to have an address set to receive the data sent by the controller. The address number is between 0-511 (usually 0 & 1 are equal to 1).
5. 3 pin XLR connectors are more popular than 5 pins XLR.
3 pin XLR: Pin 1: GND, Pin 2: Negative signal (-), Pin 3: Positive signal (+)

6.2 DMX Controller

Use universal DMX controller to control the units, you have to set DMX address from 1 to 512 channels so that the units can receive DMX signal.

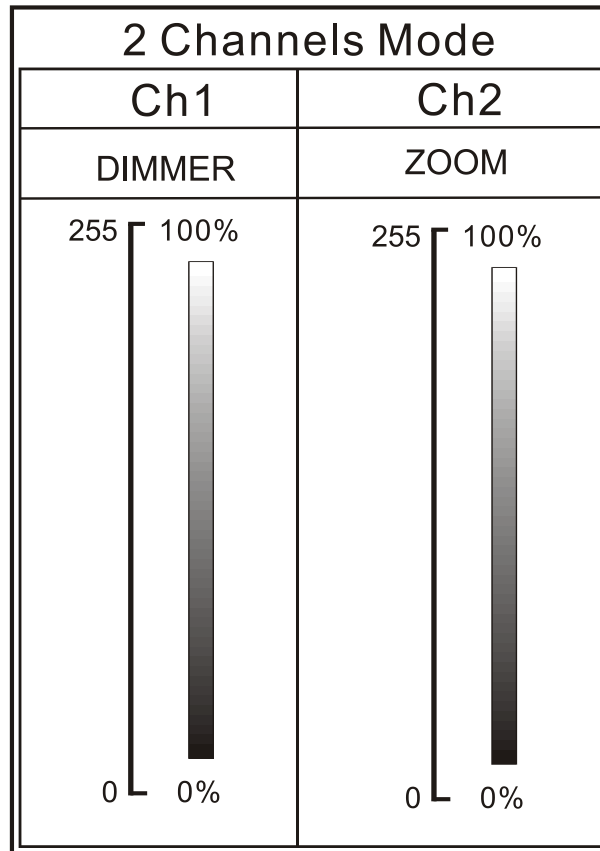
Press the **MENU** button up to when the "**DMX Address**" showing on the display. Press the **ENTER** button and the display will blink. Use the **DOWN** and **UP** button to change the DMX512 address.

Once the address has been selected, press and keep the **ENTER** button pressed up to when the display stops blinking or storing automatically one minute later. To go back to the functions without any change press the **MENU** button again. If you use please refer to the following diagram to address your DMX512 channel for the first 4 units.

Channel Mode	Unit 1 Address	Unit 2 Address	Unit 3 Address	Unit 4 Address
2 Channels	1	3	5	7

6.3 DMX512 Configuration

2 Channels Mode:



7. Troubleshooting

Following are a few common problems that may occur during operation. Here are some suggestions for easy troubleshooting:

A. The unit does not work, no light and the fan does not work

1. Check the connection of power and main fuse.
2. Measure the mains voltage on the main connector.
3. Check the power on Lamp.

B. Not responding to DMX controller

1. DMX LED should be on. If not, check DMX connectors, cables to see if link properly.
2. If the DMX LED is on and no response to the channel, check the address settings and DMX polarity.

3. If you have intermittent DMX signal problems, check the pins on connectors or on PCB of the unit or the previous one.
4. Try to use another DMX controller.
5. Check if the DMX cables run near or run alongside to high voltage cables that may cause damage or interference to DMX interface circuit.

C. One of the channels is not working well

1. The stepper motor might be damaged or the cable connected to the PCB is broken.
The motor's drive IC on the PCB might be out of condition

8. Fixture Cleaning

The cleaning of external must be carried out periodically to optimize light output. Cleaning frequency depends on the environment in which the fixture operates: damp, smoky or particularly dirty surrounding can cause greater accumulation of dirt on the fixture's optics.

- Clean with soft cloth using normal glass cleaning fluid.
- Always dry the parts carefully.
- Clean the external optics at least every 30 days.

Declaration of Conformity

We declare that our products (lighting equipments) comply with the following specification and bears CE mark in accordance with the provision of the Electromagnetic Compatibility (EMC) Directive 89/336/EEC.

EN55103-1: 2009 ; EN55103-2: 2009; EN62471: 2008;
EN61000-3-2: 2006 + A1:2009 + A2:2009; EN61000-3-3: 2008.

&

Harmonized Standard

EN 60598-1:2008 + All:2009; EN 60598-2-17:1989 + A2:1991; EN 62471:2008;
EN 62493: 2010
Safety of household and similar electrical appliances
Part 1: General requirements

Innovation, Quality, Performance