

### Declaration of Conformity

We declare that our products (lighting equipments) comply with the following specification and bears CE mark in accordance with the provision of the Electromagnetic Compatibility (EMC) Directive 89/336/EEC.

EN55103-1: 2009 ; EN55103-2: 2009; EN62471: 2008;  
EN61000-3-2: 2006 + A1:2009 + A2:2009; EN61000-3-3: 2008.

&

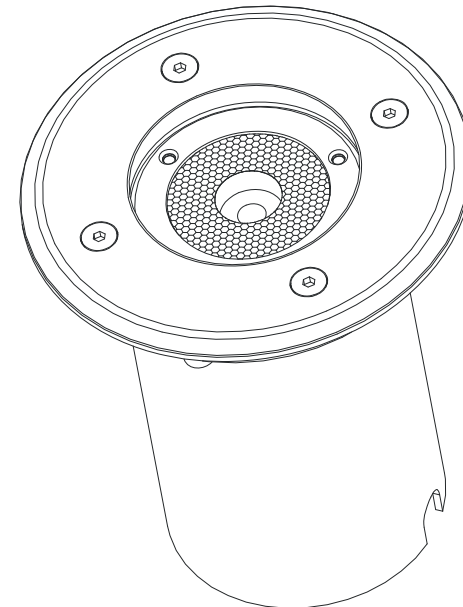
### Harmonized Standard

EN60598-2-17:1989 + A2:1991; EN60598-1:2008+ A11: 2009  
EN 62471:2008; EN 62493: 2010  
Safety of household and similar electrical appliances  
Part 1: General requirements

**Innovation, Quality, Performance**

**ACME**®

# V Inground



**VI-10QW**

**User Manual**

Please read the instructions carefully before use

## TABLE OF CONTENT

1. Safety Instructions.....	2
2. Features.....	3
3. Technical Specifications.....	3
4. Installation .....	4
5. Lumen Output .....	6
6. How To Control The Fixture.....	9
7. DMX512 Configuration.....	9
8. Troubleshooting .....	10
8. Cleaning And Maintenance .....	10

### **8. Troubleshooting**

If the fixture does not work, no light, please check the connection of power cable and signal line, also measure the mains voltage on the main connector.

### **8. Cleaning And Maintenance**

The cleaning must be carried out periodically to optimize light output. Cleaning frequency depends on the environment in which the fixture operates: moist, smoky or particularly dirty surrounding can cause greater accumulation of dirt on the fixture.

Clean with lint-free cloth using normal glass cleaning liquid.

Always dry the parts carefully.

Clean the surface at least every 30 days.

## 6. How To Control The Fixture

Please operate the fixture by VD-T (sold separately). VD-T is a specially designed handy setup tool for all Visio integral fixtures and controllers. By connecting VD-T to any fixture via XLR, you can easily setup DMX Address, Channel Modes, White Balance, Manual Colors, and Fade Speed functions. If you use VD-T to control the fixture, you can follow User Manual of VD-T.

## 7. DMX512 Configuration

4CH (4 MODE)				5CH (4D MODE)				
Ch1	Ch2	Ch3	Ch4	Ch1	Ch2	Ch3	Ch4	Ch5
RED	GREEN	BLUE	WHITE	RED	GREEN	BLUE	WHITE	DIMMER

7CH (4C MODE)						
Ch1	Ch2	Ch3	Ch4	Ch5	Ch6	Ch7
RED	GREEN	BLUE	WHITE	COLOR	DIMMER	STROBE
				248-255 Preset color32 240-247 Preset color31 232-239 Preset color30 224-231 Preset color29 217-223 Preset color28 209-216 Preset color27 201-208 Preset color26 194-200 Preset color25 186-193 Preset color24 178-185 Preset color23 170-177 Preset color22 163-169 Preset color21 155-162 Preset color20 147-154 Preset color19 140-146 Preset color18 132-139 Preset color17 124-131 Preset color16 116-123 Preset color15 109-115 Preset color14 101-108 Preset color13 093-100 Preset color12 085-092 Preset color11 078-084 Preset color10 070-077 Preset color9 062-069 Preset color8 055-061 Preset color7 047-054 Preset color6 039-046 Preset color5 031-038 Preset color4 024-030 Preset color3 016-023 Preset color2 008-015 Preset color1 000-007 OFF		248-255 OPEN 240-247 RANDOM STROBE 232-239 OPEN 190-231 SLOW CLOSE FAST OPEN 182-189 OPEN 140-181 SLOW OPEN FAST CLOSE 132-139 OPEN 16-131 *** 8-15 ** 0-7 OFF

## 1. Safety Instructions



### WARNING

Please read the instructions carefully which includes important information about the installation, operation and maintenance.

- Please keep this User Guide for future consultation. If you sell the fixture to another user, be sure that they also receive this instruction booklet.

### Cautions:

- All fixtures are intact from the manufacturer, please operate follow up the user manual, artificial fault are not under guarantee repair.
- Unpack and check carefully there is no transportation damage before using the fixture.
- Do install and operate by operator.
- Use safety chain when fixes the fixture.
- Be sure that no ventilation slots are blocked, otherwise the fixture will be overheated.
- Before operating, ensure that the voltage and frequency of power supply match the power requirements of the fixture.
- It's important to the ground with yellow/green conductor to earth in order to avoid electric shock.
- Maximum ambient temperature is 40°C. Don't operate it where the temperature is higher than this.
- Don't connect the device to any dimmer pack.
- First run, there will be smoke or smells, and all disappearing a few minutes later.
- Make sure there are no flammable materials close to the fixture while operating, as it is fire hazard.
- Look over power wires carefully, replace immediately if there is any damage.
- Fixture surface temperature may reach up to 65°C. Don't touch the housing bare-hand during its operation.
- Never run on for a long time lest shortening lifespan.
- Avoid any inflammable liquids, water or metal objects entering the fixture. Once it happen, cut off the mains power immediately.
- Do not operate in dirty and dusty environment, also cleaning fixtures regularly.
- Do not allow children to operate the fixture.
- Do not touch any wire during operation as there might be a hazard of electric shock.

- Avoid power wires together arounding other cables.
- Replace fuse only with the same type.
- In the event of serious operating problem, stop using the fixture immediately.
- Never turn on and off the fixture time after time.
- The housing, the lenses, or the ultraviolet filter must be replaced if they are visibly damaged.
- Do not open the fixture as there are no user serviceable parts inside. Never try to repair the fixture by yourself. Repairs carried out by unskilled people can lead to damage or malfunction. Please contact the nearest authorized technical assistance center.
- Disconnect the mains power if the fixture is not used for a long time.
- Do use original packing materials once transport it again.
- Do not look directly at the LED light beam while the fixture is on.
- To protect the machine, power off 10s rear can electrify.

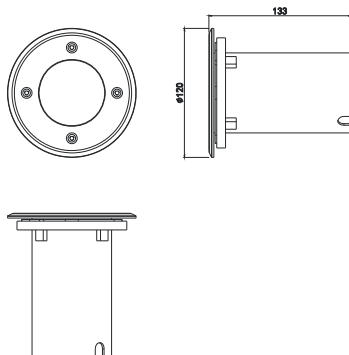
## 2. Features

V Inground is a high power and robust outdoor luminaries. With cutting edge LED technology, IP67 rated and drive over resistant construction, the V Inground is specially designed for illuminating walkways, landscape.

- 316L Stainless steel top cover, die cast housing and plastic sleeve.
- Optimal thermal management.
- Easy installation and maintenance.
- Excellent performance, reliability and long lifespan.

## 3. Technical Specifications

- Input Voltage: DC24V
- Power Consumption: 14W
- LEDs: 1X10W CREE Quad-color LED
- IP: 67
- Beam Angle: 10°, 20°, 30°
- Dimension:  $\phi 120 \times 133 \text{mm}$
- Weight: 0.8Kgs



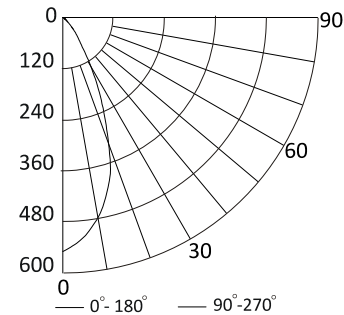
3D

Lumens: 255.789lm

Efficacy: 14.29lm/W

Beam Angle: 30°

Luminous Intensity Distribution

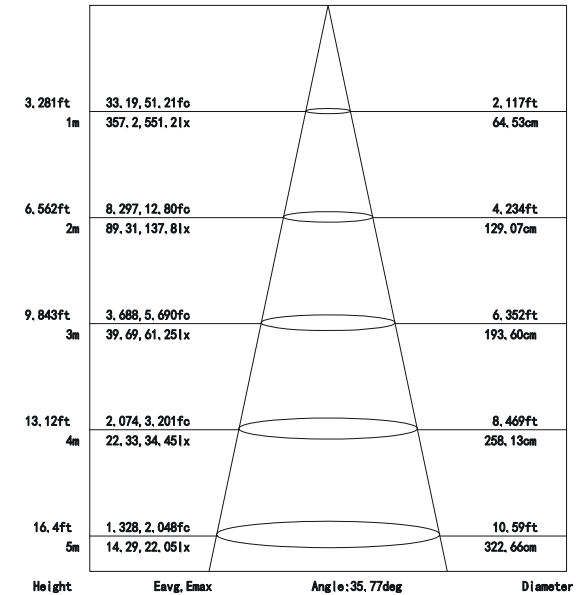


Zonal Flux Diagram

	C0	C45	C90	C135
5	525.5	470.7	452.7	480.8
10	445.5	372.0	355.3	389.8
15	331.7	270.6	257.9	283.9
20	221.2	182.5	185.7	183.1
25	135.0	116.2	113.5	115.9
30	74.64	62.62	41.32	65.57
35	39.92	31.80	30.45	32.59
40	19.75	14.75	19.57	15.65
45	9.768	9.567	8.697	10.51
50	6.666	6.708	6.991	7.331
55	5.033	4.869	5.286	5.313
60	4.162	3.806	3.580	4.047
65	3.386	2.859	2.772	3.022
70	2.751	2.063	1.965	2.115
75	2.220	1.389	1.157	1.428
80	1.769	0.6707	0	0.6893
85	1.484	0	0	0
90	1.306	0	0	0

## Luminance At Distance

Flux output: 118.5 lm

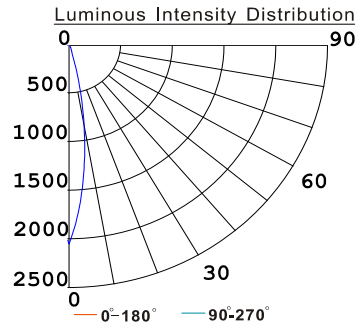


Average Beam Angle(50%)

Note: The Curves indicate the illuminated area and the average illumination when the luminaire is at different distance

8D

Lumens: 263.372lm  
 Efficacy: 13.30lm/W  
 Beam Angle: 20°

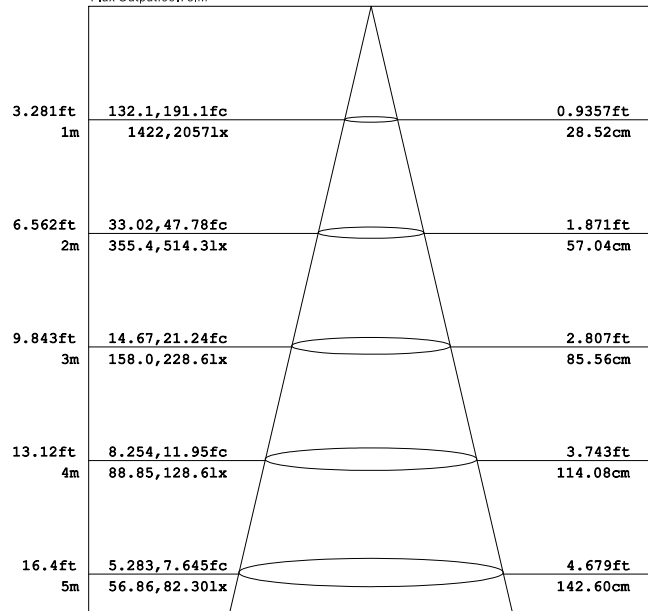


Zonal Flux Diagram

□	C0	C45	C90	C135
5	1789	1503	1461	1515
10	1001	899.8	869.7	835.0
15	276.2	334.3	278.0	291.4
20	65.22	81.04	197.8	73.79
25	31.05	44.25	117.5	40.19
30	17.85	28.85	37.30	25.73
35	11.36	20.47	29.04	18.26
40	8.063	15.70	20.78	14.23
45	5.906	12.45	12.51	11.30
50	4.729	9.855	10.26	9.127
55	3.931	7.800	8.007	7.488
60	3.190	6.249	5.753	6.084
65	2.668	4.785	4.549	4.602
70	2.197	3.534	3.344	3.333
75	1.975	2.571	2.140	2.414
80	1.773	1.410	0	1.323
85	1.609	0	0	0
90	1.301	0	0	0

### Luminance at Distance

Flux Output:99.75lm

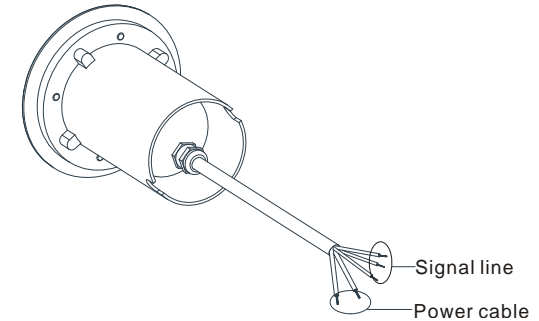


Note: The Curves indicate the illuminated area and the average illumination when the luminaire is at different distance.

## 4. Installation

### 4.1 Before install the fixture, please ensure the power is off.

4.1.1 Choose the appropriate location and secure the embedded fittings (plastic sleeve) to the location, then connect power cable and signal line, finally place the aluminum barrel into it.

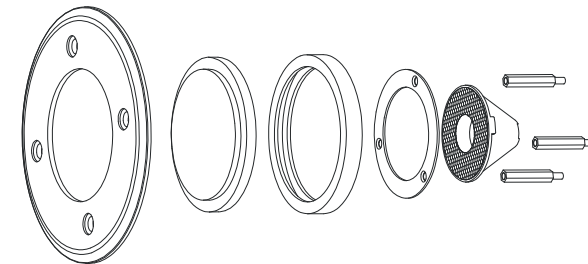


4.1.2 Run power cable and DMX signal line to junction box (sold separately), there are two colors red and black for power cable, red cable is positive, black cable is grounding. Three colors red, white and black for signal line, red line is (+), white line is (-) and black line is grounding.

4.1.3 Connect wires to the mains power or signal cables through wire nuts or wiring terminal per code instruction. For damp or wet locations, use an IP rated junction box, per manufacturer's instructions.

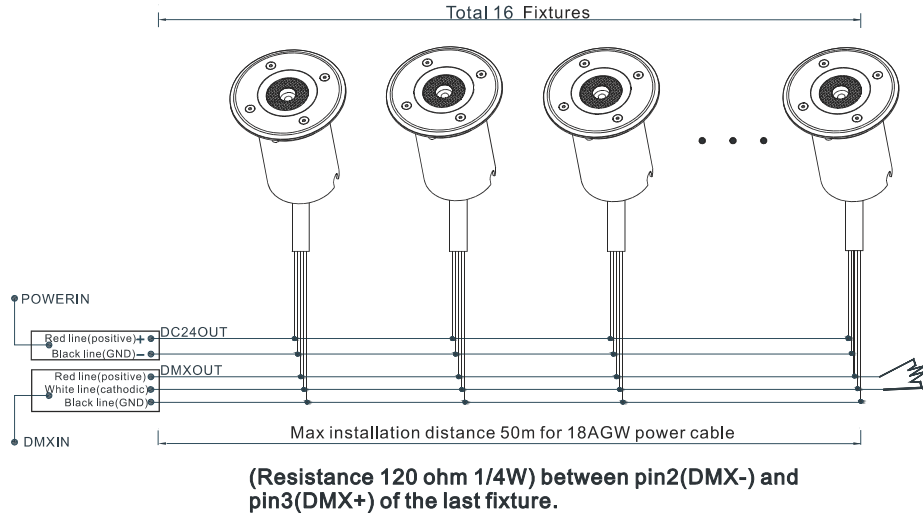
### 4.2 Change Beam Angle

If you want to change beam angle of fixture, you can change lens of the fixture refer to the photo below:



Completed by qualified technician only.

### 4.3 Connection Diagram

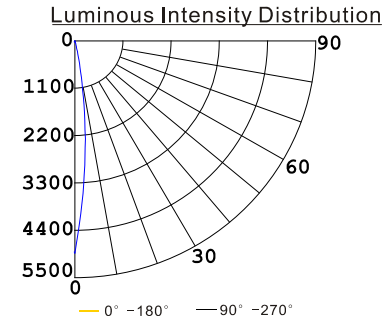


### 5. Lumen Output

Lumens: 299.35lm

Efficacy: 20.65lm/W

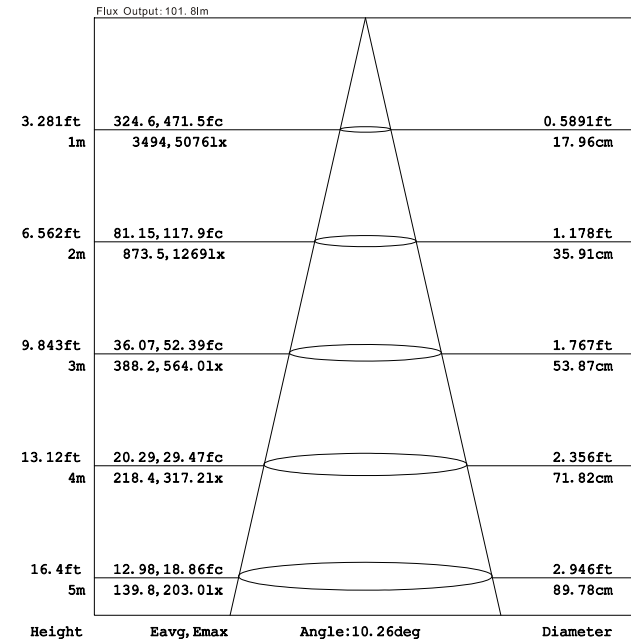
Beam Angle: 10°



Zonal Flux Diagram

Y	C0	C45	C90	C135
5	3298	3307	3324	2370
10	435.6	980.7	1717	467.8
15	77.11	148.4	109.0	82.83
20	41.03	51.25	84.60	41.68
25	21.77	32.78	60.23	26.52
30	13.94	21.98	35.86	18.48
35	8.626	16.96	27.63	14.21
40	6.427	14.30	19.40	11.86
45	4.809	11.03	11.17	9.186
50	3.850	8.462	9.161	7.284
55	3.296	6.590	7.156	5.934
60	3.176	5.344	5.151	4.922
65	2.707	4.102	3.955	3.709
70	2.042	2.926	2.758	2.685
75	1.739	1.885	1.561	1.853
80	1.508	0.8387	0	0.8903
85	1.339	0	0	0
90	1.253	0	0	0

### Luminance at Distance



Note: the curves indicate the illuminated area and the average illumination when the luminaire is at different distance