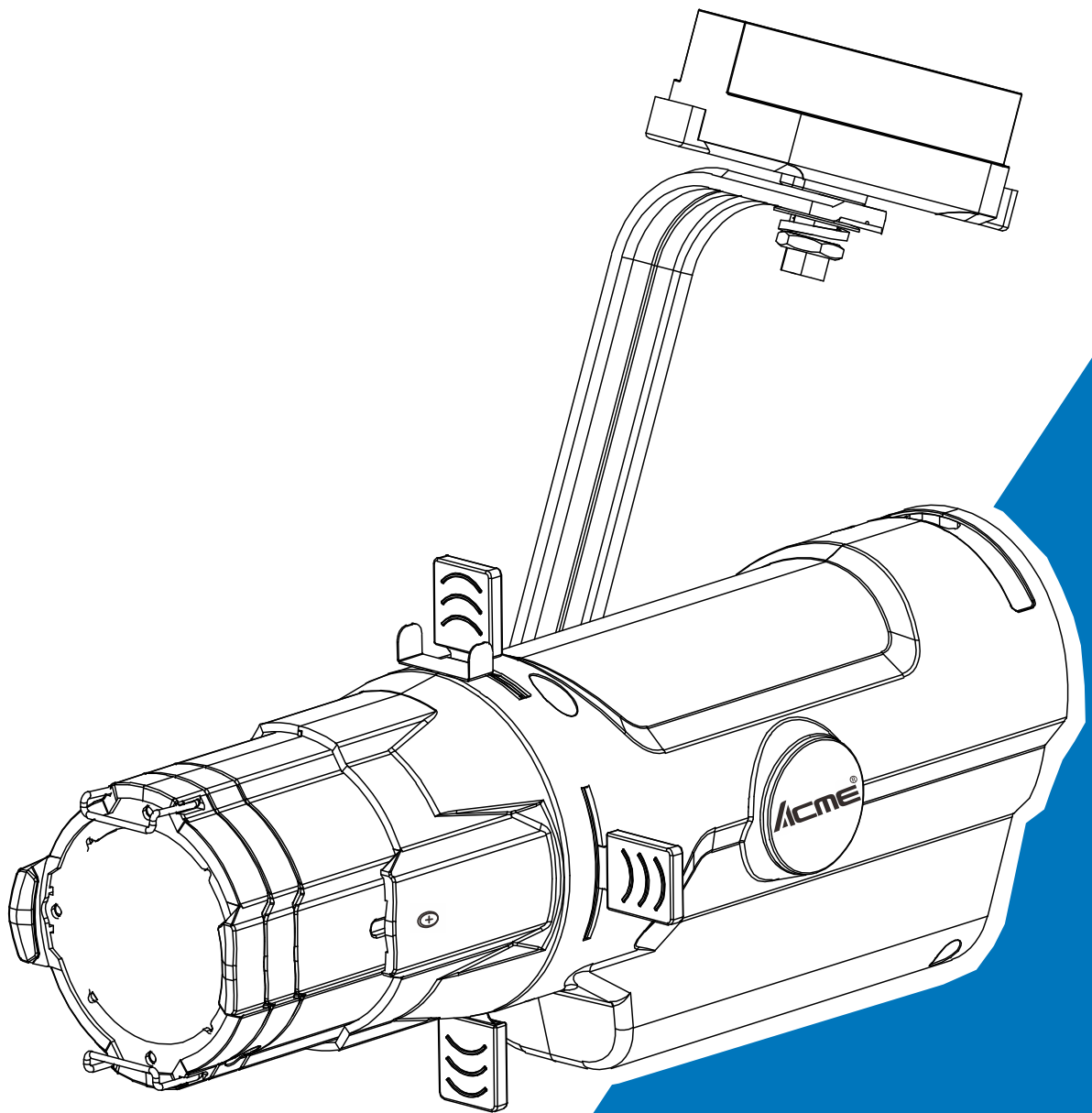




TRACK 10
TRACK 40



User Manual

Please read the instruction carefully before use

Features

E-10T/E-40T is Track Version, uniform light, sharp image edge, and self-locking focus lens.

The product takes advantage of the heat pipe heat conduction and housing feature to dissipate heat without fan to prolong LED life.

Specifications

◇ **Power Voltage:** AC 85~127V, 50/60Hz

AC 175~264V, 50/60Hz

◇ **Power Consumption:** 15W (E-10T)

30W (E-40T)

◇ **Light Source:**

E-10T CW DXX: LTAW1202-012-007-5500

E-10T WW DXX: LTAW1202-012-007-3150

E-40T CW DXX: C117C1206-036-001

E-40T WW DXX: C117W1206-036-001

◇ **Color Temperature:** 5600K \pm 150K (E-10T/40T CW)

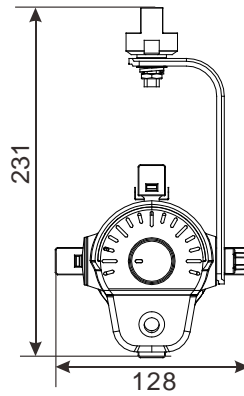
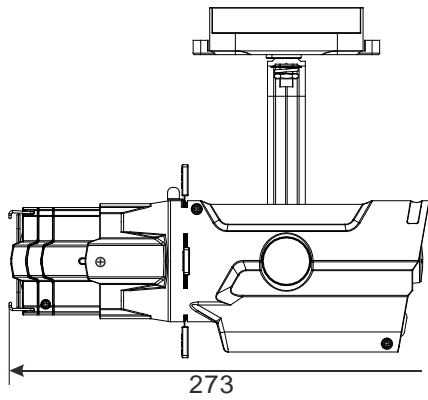
3200K \pm 150K (E-10T/40T WW)

◇ **Beam Angle:** 19°/26°/36°/50°(optional)

◇ **CRI** \geq 95

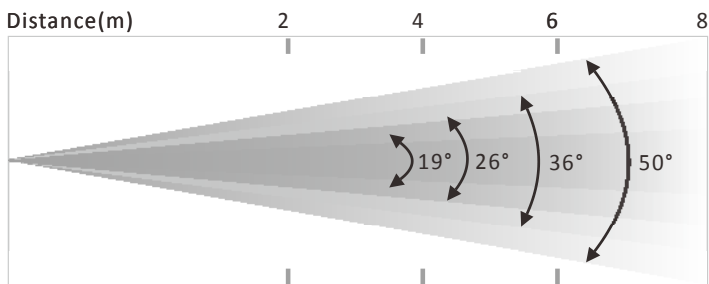
◇ **Dimension/Weight:** 273x231x128mm, 1.3kgs

10.7"x9.1"x5" in, 2.9lbs



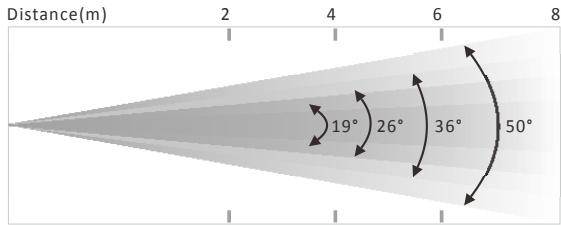
◇ **Photometric diagram:**

E-10T



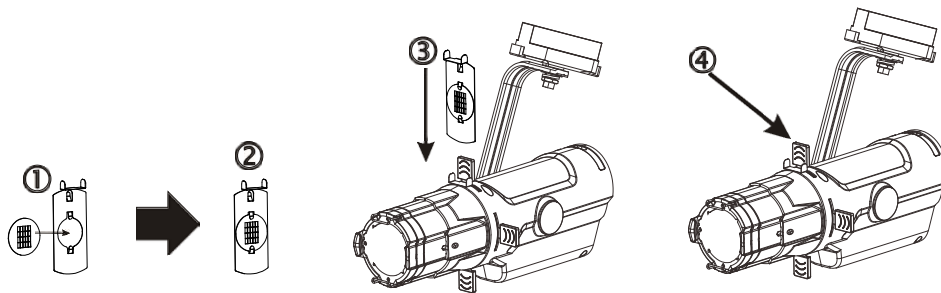
19°Lux	CW	2002	501	223	125
	WW	1898	475	211	120
Diameter(m)	CW/WW	0.68	1.34	2.01	2.68
26°Lux	CW	1095	274	122	68
	WW	981	246	109	62
Diameter(m)	CW/WW	0.94	1.85	2.78	3.70
36°Lux	CW	540	135	60	33
	WW	415	103	46	25
Diameter(m)	CW/WW	1.31	2.59	3.91	5.19
50°Lux	CW	310	77	34	19
	WW	212	53	23	13
Diameter(m)	CW/WW	1.87	3.73	5.59	7.46

E-40T



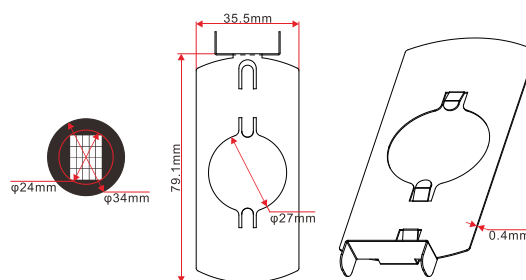
19°Lux	CW	2920	730	322	180
	WW	2758	680	310	170
Diameter(m)CW/WW		0.68	1.34	2.01	2.68
26°Lux	CW	1950	488	215	121
	WW	1842	461	205	115
Diameter(m)CW/WW		0.94	1.85	2.78	3.70
36°Lux	CW	1170	290	130	70
	WW	1010	250	112	62
Diameter(m)CW/WW		1.31	2.59	3.91	5.19
50°Lux	CW	596	150	66	37
	WW	517	130	56	32
Diameter(m)CW/WW		1.87	3.73	5.59	7.46

How To Change The Gobo

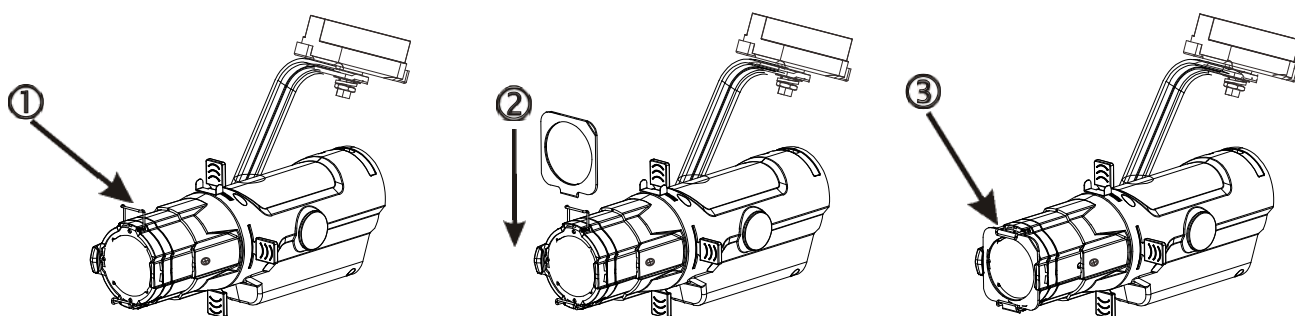


At first, put the gobo by hand as the arrow into the gobo gel splint, and insert the gobo gel splint into the slot of the unit, please turn the hand knob to left or right in order to take out gobo gel splint.

Note: The diameter of the inner and outer rings of the gobo, the size and thickness of the gobo gel splint are shown in the following figure:

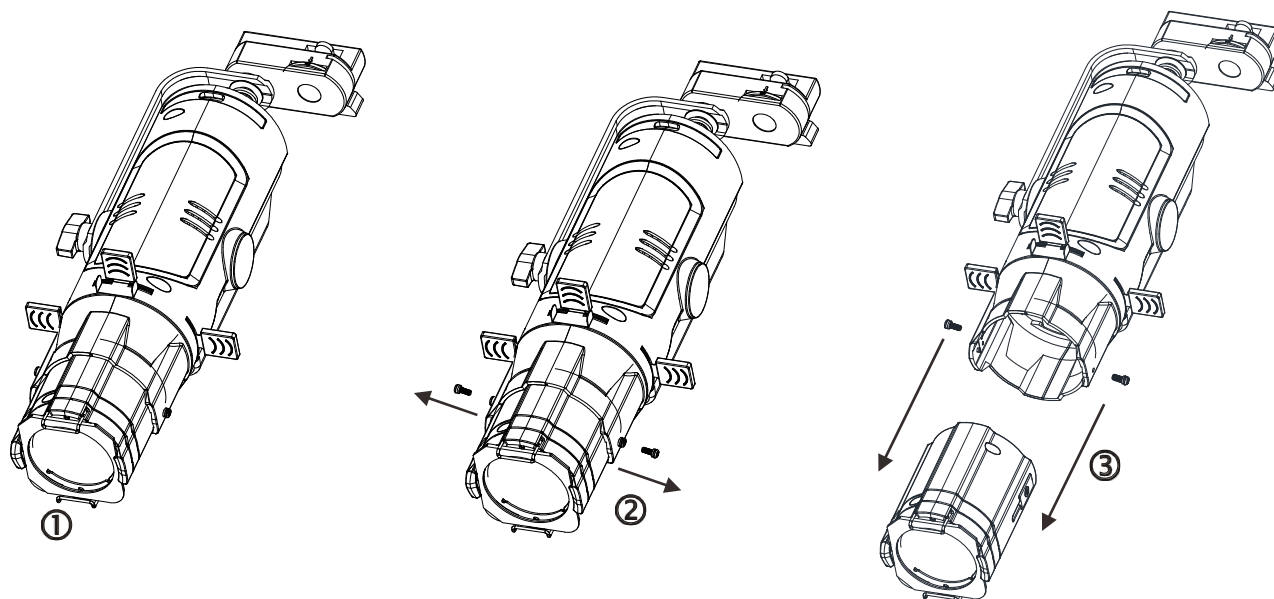


The Color Gel Splint Installation

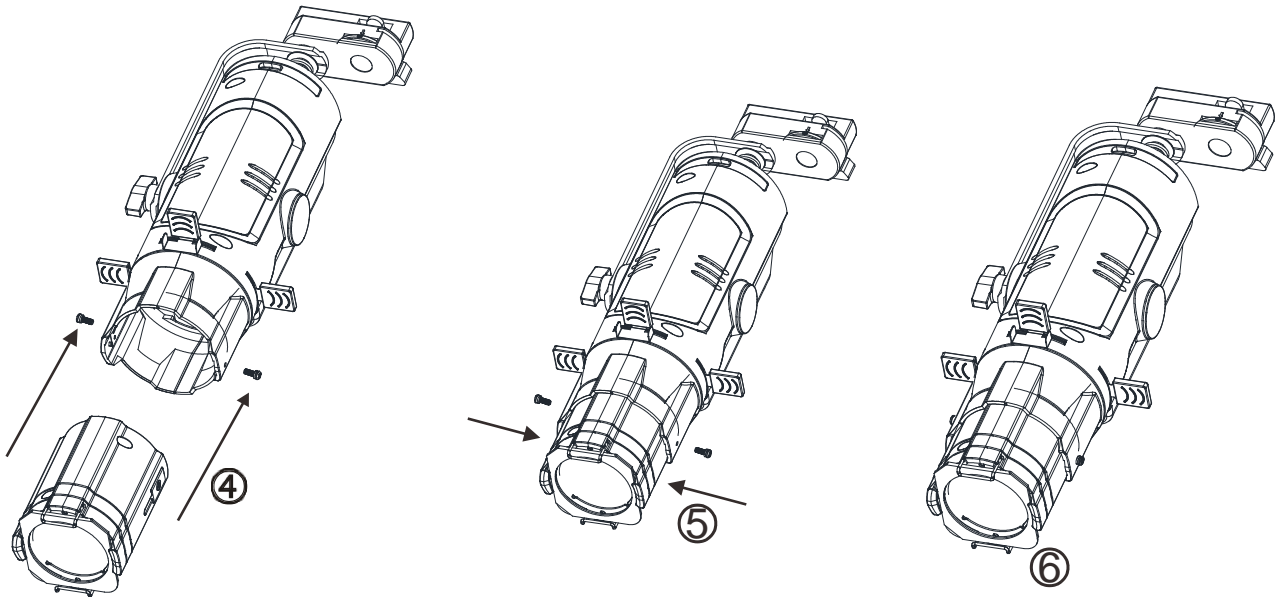


At first, please push the Lock Cap button by hand as the arrow, and move away the Lock as the arrow, then insert the color gel splint into the inside slot from topside, and fasten the lock.

How To Change The Focus Lens

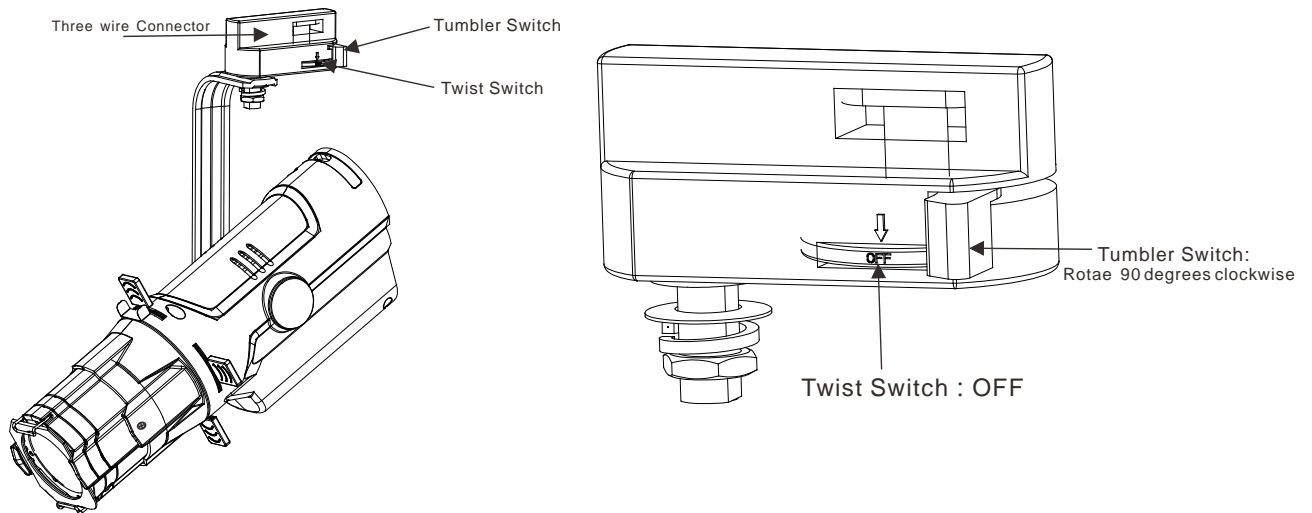


At first, please push the screws on both side of the fixture by hand as the arrow, and move away the focus lens silently by hand as the arrow.

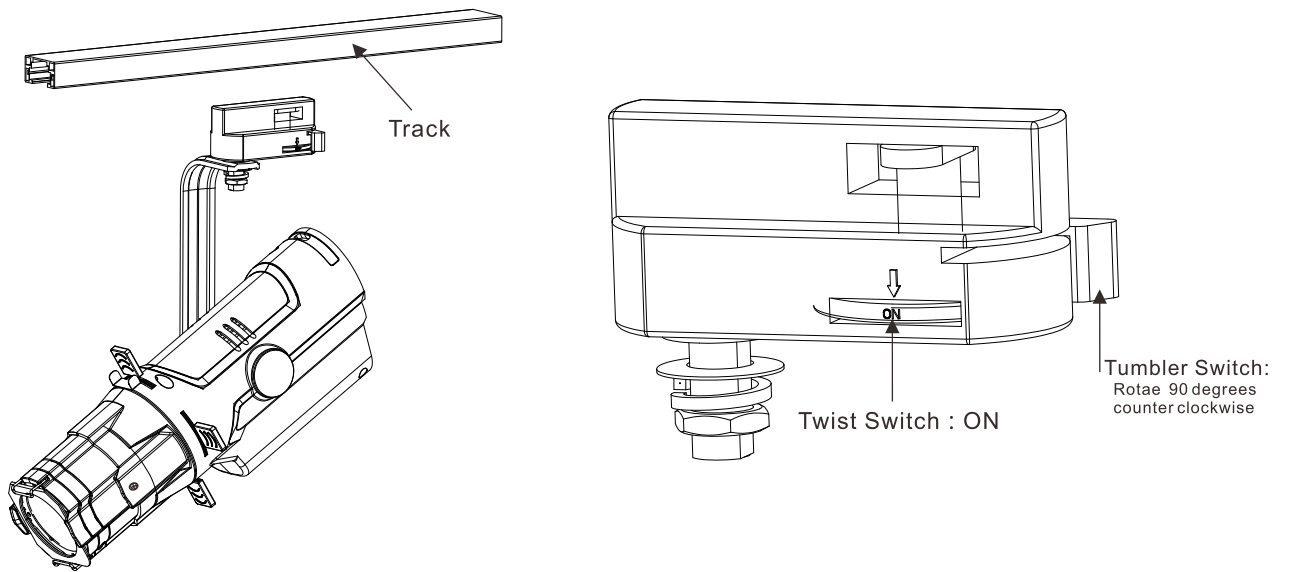


Then insert the focus lens as the arrow silently, and insert the screws in place by hand as the arrow, and fasten the lens.

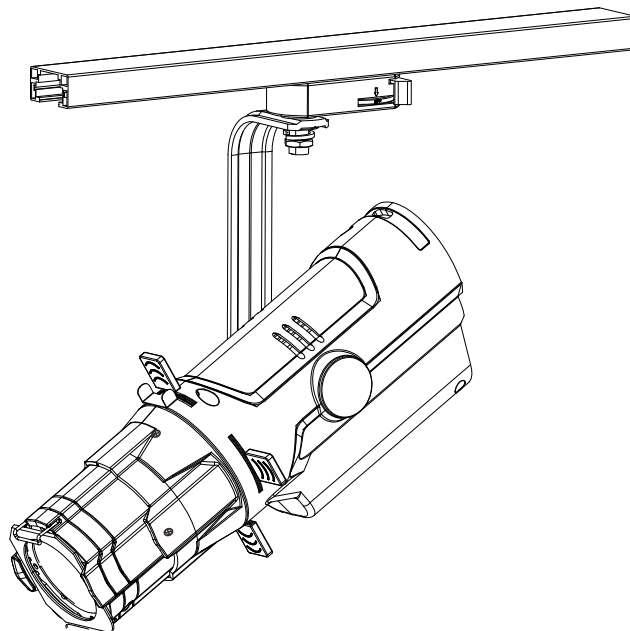
Installation



First fix the track on the ceiling with the screws, put the dial on “OFF” of the twist switch and rotate the tumbler switch 90 degrees clockwise.

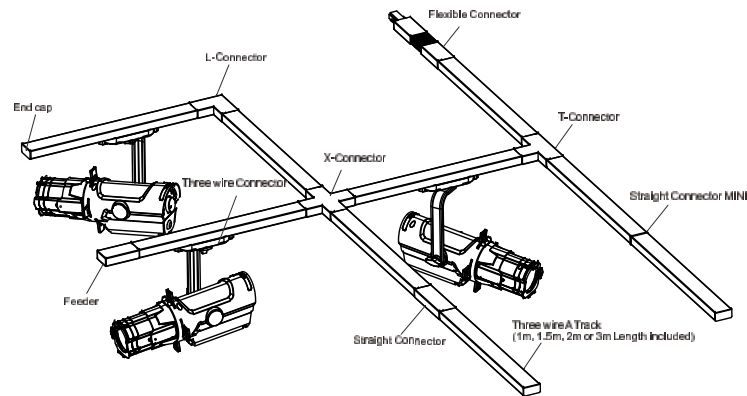


Put the three wire connector into the track groove, the lamp body is fixed. Then rotate the tumbler switch 90 degrees counter clockwise and make sure the twist switch on "ON".



After the lamp body is fixed, it can be energized.

Reference Diagram for choice of connectors



Troubleshooting

The fixture does not work, no light

1. Check the connection of power and main fuse.
2. Measure the mains voltage on the main connector.

Fixture Cleansing

The cleaning of internal and external optical lenses and/or mirrors must be carried out periodically to optimize light output. Cleaning frequency depends on the environment in which the fixture operates: damp, smoky or particularly dirty surrounding can cause greater accumulation of dirt on the unit's optics.

- Clean with soft cloth and use normal glass to clean liquid.
- Always dry the parts carefully.
- Clean the external optics at least every 20 days. Clean the internal optics at least every 30 days.

Declaration of Conformity

We declare that our products (lighting equipments) comply with the following specification and bears CE mark in accordance with the provision of the Electromagnetic Compatibility (EMC) Directive 2014/30/EU.

EN 55032: 2015; EN 61000-3-2: 2014;
EN 61000-3-3: 2013; EN 55103-2: 2009.

&

Harmonized Standard

EN 60598-2-17: 1989+A2: 1991; EN 60598-1: 2015; EN 62471: 2008;
EN 62493: 2015; EN 62031: 2008+A1: 2013+A2: 2015.
Safety of household and similar electrical appliances
Part 1: General requirements

Innovation, Quality, Performance