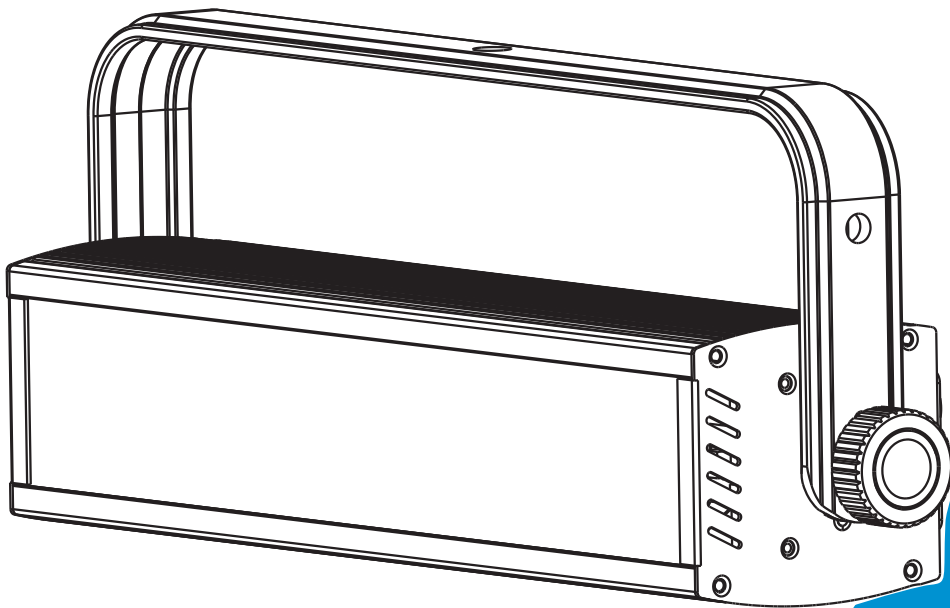




Ultra Strobe



User Manual

Please read the instruction carefully before use

Table of Contents

1, Safety Information.....	3
2, Rear Panel.....	5
3, Preparation for Use	6
4, Main Function	6
5, Remote Control.....	12
6, Technical Specification.....	14

1. Safety Information

Warning: This product is for professional use only! It is not for household use.

The LED-ST1000 presents risks of lethal or severe injury due to fire and heat, electric shock, ultraviolet radiation, and falls. Flashing light is also known to trigger epileptic seizures in persons who are photosensitive. Read this manual before powering or installing the fixture, follow the safety precautions listed below and observe all warnings in this manual and printed on the fixture.

Noted: high voltage in the LED board!

Super power strobes, so please avoid extended periods of continuous flashing

To guard against electric shock

- Do not remove the rear cover: there are no user-serviceable parts inside.
- Always ground (earth) the fixture electrically.
- Use only a source of AC power that complies with local building and electrical codes and has both overload and ground-fault protection.
- Do not expose the fixture to rain or moisture.

To guard against UV radiation, burns, and fire

- Never attempt to bypass the fuse. Always replace defective fuses with ones of the specified type and rating.
- Verify that the power feed cable is rated for the current draw of all connected fixtures.
- Keep all combustible materials (for example fabric, wood, paper) at least 0.5 meters (20 inches) away from the fixture. Keep flammable materials well away from the fixture.
- Minimum distance to illuminated surface is 10 meters.
- Provide a minimum clearance of 0.1 meters (4 inches) around air vents.
- Never place filters or other materials over the front glass cover.
- The exterior of the fixture can reach temperatures up to 120° C (248° F). Allow the fixture to cool for at least 15 minutes before handling.
- Do not modify the fixture or install other than genuine parts.

- Do not operate the fixture if the ambient air temperature (T_a) exceeds 40° C (104° F).

To guard against falls

- When suspending the fixture above ground level, verify that the structure can hold at least 10 times the weight of all installed devices.
- Verify that all external covers and rigging hardware are securely fastened and use an approved means of secondary attachment such as a safety cable.
- Block access below the work area whenever installing or removing the fixture.

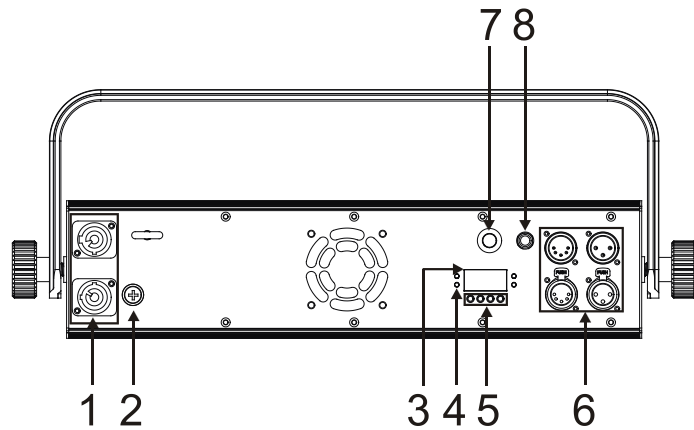
To guard against epileptic seizure

- Do not operate the fixture near stairways.
- Provide advance notice that strobe lighting is in use.

For AC 220–240V power supply, the maximum fixtures that can be connected on one power cable is 6(including the first fixture) ;

For AC 100~120V power supply, the maximum fixtures that can be connected on one power cable is 3 (including the first fixture).

2. Rear Panel



1, Mains input/output:

Connect to supply mains power, and connect to supply mains power for the next unit.

2, Fuse holder: T6.3A

3. LED display

4, LED indicator:

Signal	Flash	Signal input present
Master	On	Master
Slave	On	Slave
Sound	Flash	Sound active signal input

5, Menu /UP/DOWN/ Enter button

6, DMX input/output

7, Sound Active Port: Receive Sound active signal

8, CA-8 Connector: Connect with easy controller CA-8

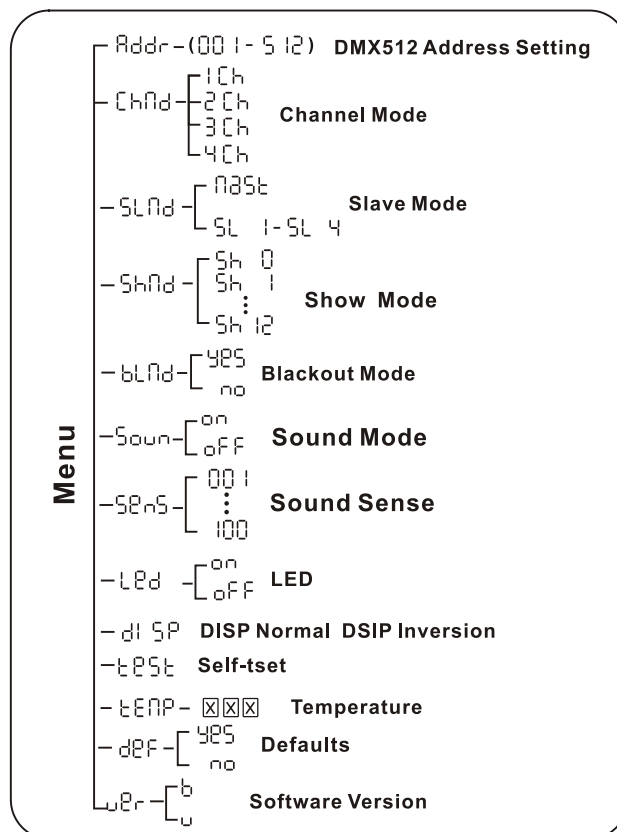
3. Preparation for Use

INSTALLATION

The LED-ST1000 may be installed in any orientation. The mounting bracket provides one 12 mm holes for direct fastening or attachment of rigging clamps.

4. MAIN FUNCTION

Press MENU button enter the function, then use UP/DOWN or MENU button to select the function you want, final press ENTER button to confirm the function you select. Wait for 30 seconds, it will return to main interface. If you want back to main menu, please hold MENU button for 1 second. The main menu as follow:



Addr DMX 512 address setting

Select ADDR option and the display will blink, press ENTER button to confirm your selection. You can check the current DMX address from LED display. The DMX address can be changed by press UP/DOWN button and then press ENTER button to confirm your selection. Wait for 30 seconds, it

will return to main interface. If you want back to main menu, please hold MENU button for 1 second.

CHNd Channel mode setting

Select CHMD option, press ENTER button to confirm your selection. Change the channel way (1/2/3/4/) by press UP/DOWN button. Press ENTER button to confirm your selection. Wait for 30 seconds, it will return to main interface. If you want back to main menu, please press MENU button.

SLNd Master/Slave Mode

Select the **SLNd**, press the ENTER button. Use the DOWN and UP button to select **MAST** (Master) , **SL 1**-**SL 4** (Slave) (Note: Each 4 units as one show group,Slave will performance with Master once reset **SL 1**). Press the ENTER button after selected. Or exit menu mode without any change after 8 seconds automatically. If you want back to main menu, please press MENU button.

SLNd Show Mode

Select the **SLNd**, press the ENTER button. Use the DOWN and UP button to select **Sh 0** - **Sh 12**, **Sh 0** is Random Show Mode, 13 performance effect will be available once lighting is Master.

BLNd Blackout Mode

Select the **BLNd**, press the ENTER button. Use the DOWN and UP button to select **YES** (when without DMX signal, the output will be "0") or **NO** (when without DMX signal, the master will run the built-in CHASE ,and the slave will keep the same running status). Once selected, press the ENTER button to setup or exit menu mode without any change after 8 seconds automatically. Back to the functions without any change press the MENU button again.

Soun Sound Mode

Select the **Soun**, press the ENTER button. Use the DOWN and UP button to select **on** / **off**. Sound mode will be available once lighting is Master.

SEnS Sound sense

Select the **SEnS**, press the ENTER button. Use the DOWN and UP button to select the sensitivity (000–100). Once selected, it can be control Sound sensitivity once lighting is Sound Mode.

LEd LED display setting

Select the LED option, press ENTER button to confirm your selection. You can see the current ON/OFF status of LED display now. You can change its status by press UP/DOWN button. Then press ENTER button to confirm your selection. If you choose OFF, than the LED display will close without any operation for 1 min. Wait for 30 seconds, it will return to main interface. If you want back to main menu, please hold MENU button for 1 second.

di SP LED display direction setting

Select DISP option, press ENTER button to confirm your selection. Select the DISP / DSIP by press UP/DOWN button. Press ENTER button to confirm your selection. Wait for 30 seconds, it will return to main interface. If you want back to main menu, please hold MENU button for 1 second.

TEST Test setting

Select TEST option, press ENTER button to confirm your selection. The flash indicator will light up and the unit will test automatically. Wait for

several seconds self-test, it will return to main interface. If you want back to main menu, please hold MENU button for 1 second.

LEMP Temperature

Select the LEMP, press ENTER button and the display will show the temperature of unit. Wait for 30 seconds, it will return to main interface. If you want back to main menu, please hold MENU button for 1 second.

DEF Defaults

Select DEF option, press ENTER button, Use UP/DOWN button if you would like reset defaults, or not. press ENTER button to confirm your selection. If you want back to main menu, please hold MENU button for 1 second.

VER Check the version number

Select the VER, press ENTER button to confirm. You can see the current version number now and check them by UP/DOWN. Wait for 30 seconds, it will return to main interface. If you want back to main menu, please hold MENU button for 1 second.

Channel Mode:

1-CH MODE	2-CH MODE	
	CH1	CH2 Flash intensity
251~255 Continuous "Blinder" $\uparrow\uparrow\uparrow$ 6~250 Flash rate, slow to fast $\uparrow\uparrow$ 0~5 Blackout \uparrow	6~255 Flash rate, slow to fast $\uparrow\uparrow$ 0~5 Blackout \uparrow	6~255 Minimum to maximum \uparrow 0~5 Blackout \uparrow 100% 0%

3-CH MODE		
CH1 Flash intensity	CH2 Flash duration	CH3 Flash rate

4-CH MODE			
CH1 Flash intensity	CH2 Flash duration	CH3 Flash rate	CH4 Build-in effect

DMX CONTROL SUMMARY

Intensity

Flash intensity can be set from minimum (blackout) to maximum on 1-channel DMX modes, channel 2 in 2-channel DMX modes and channel 1 in the 3- and 4-channel DMX modes.

The maximum intensity can be reduced by selecting low power mode as described

Duration

Flash duration can be set from 0 to 650 ms on 50 Hz power supplies, or 0 to 530 ms on 60 Hz power supplies, on channel 2 in the 3- and 4-channel DMX modes. Flash duration is fixed in 1 channel DMX mode.

Rate

Flash rate can be set from 0 flashes per second to 17.5 flashes per second Hz on 50

Hz power supplies or from 0 to 20 flashes per second on 60 Hz power supplies, on channel 3 in the 3- and 4-channel DMX modes. Flash rate is also controllable in 1- and 2-channel DMX mode.

Built-in effects

Six programmed effects are available on channel 4 in the 4-channel DMX mode only. The effects may be altered using the intensity, duration, and rate controls.

- Ramp up: Light gradually increases in intensity, and then blacks out.
- Ramp down: Light flashes to full intensity, and then gradually fades.
- Ramp up-down: Light gradually increases and decreases.
- Lightning: The flashes simulate lightning. Duration is not adjustable.
- Random flash: Light flashes randomly with variable rate and intensity. Multiple units flash independently of each other.

Blind effect

The blinder effect, in which the light remains on for an extended period, is available in all DMX modes. In the 3- and 4-channel modes, the effect is achieved by the combination of flash duration and rate prevents pauses between flashes. For example, the blinder effect can be achieved with a flash duration of 0.25 seconds (250 ms) and a flash rate of 4 flashes per second, or a flash duration of 0.05 seconds (50 ms) and a flash rate of 20 flashes per second.

In 3- and 4-channel DMX mode, the intensity of the blinder effect is controllable on channel 1. LED power is electronically regulated to prevent the LED from overheating. The intensity falls as power is reduced.

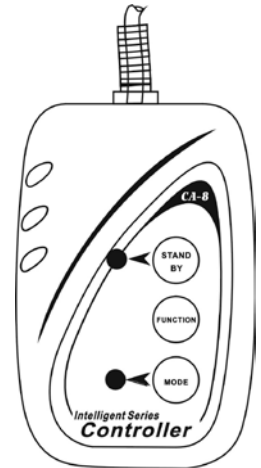
Single Flash

To trigger single flashes, start with the intensity and flash rate at 0 and then set the intensity on channel 1. When the value of channel 1 is changed, the light will flash once with the programmed intensity, duration, and effect.

5. Easy Controller

The easy remote control is used only in master/slave mode. By connecting to the first master unit, you will find that the remote controller on the first unit will control all the other units for Standby, Function and Mode selection

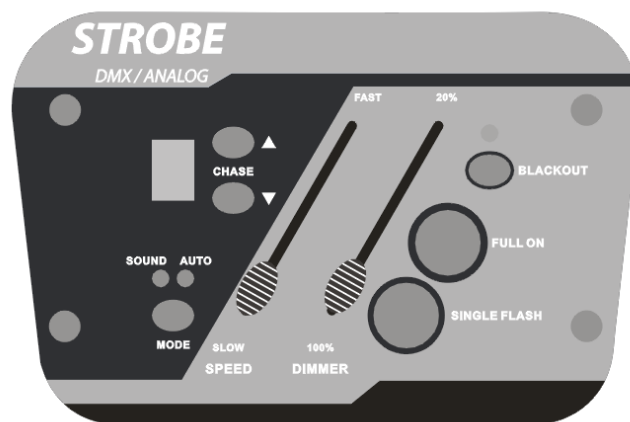
STAND BY	Blackout the unit (the LED indicator will light on/off accordingly)
FUNCTION	<p>1. Short Enter can be shifted Synchronous Strobe/Random Strobe/ sound Strobe; (Mode1)</p> <p>2. Short Enter can be shifted Show effect (Mode2)</p> <p>3. Long Enter means lighting tension is Max ; (Mode3)</p>
MODE	<p>1, Strobe (LED indicator off); (default mode) ;</p> <p>2, Show mode. (LED indicator flash);</p> <p>3, lighting tension is Max (LED indicator on) ;</p>



BF-04D connected LED-ST1000, and under the 2-channel DMX mode, that's LED-ST1000 will be flashed as chase and intensity by BF-04D .

How to connect

- When connected to the remote control BF-04D, the LED-ST1000 flashes with controlled chase and intensity when the Strobe button is pressed on the BF-04D.



The optional remote control for BF-04D provides the following:

- Slider controls for chase speed and intensity.
- Momentary push button control of the blinder effect, when the LED of BLACK OUT is on, that means chase is stop.
- Momentary push button for single flash and flash synchronization, when the LED indicator of BLACK OUT is on, that means chase is stop.
- Chase number toggle switch
- Chase mode toggle switch: AUTO/SOUND

DATA CONNECTION

Important: Do not terminate the data link when using the BF-04D!

The remote controller connects to The LED-ST1000 with a 3-pin XLR data cable. Additional LED-ST1000 may be connected in series, output to input. Note, however, that the data link must not be terminated as described DMX controllers and the LED-ST1000 should change to the remote control function.

OPERATION

Intensity

- Flash intensity is controlled from 20% of the maximum Intensity to 100% of the maximum Intensity with the DIMMER fader.
- The maximum intensity is reduced in low power mode, which is selected on pin 6 of the Mode DIP switch.

Chase Speed

- Chase speed is controlled from slow to fast with the SPEED fader.
- The BLACK OUT button toggles chase run on and off. The indicator diode is on when chase stopped and off when chase running.

Chase Number

Toggle Chase number with Chase button and will be shown on the nixie tube.

Chase Mode

Toggle Chase running way with MODE button: AUTO/SOUND mode. The corresponding LED indicator will display the selected mode.

Blind Effect

The blinder effect is controlled with the FULL ON button. The intensity is the maximum Intensity. LED power is electronically regulated to prevent the LED from overheating.

Single Flash

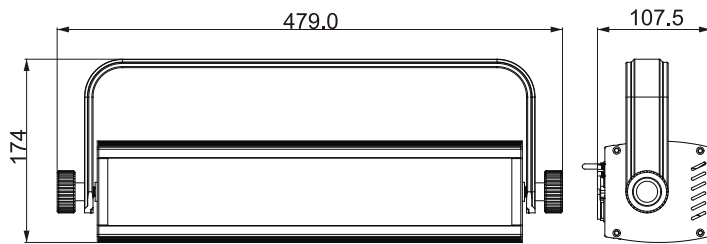
Single flashes can be achieved by pressing the SINGLE FLASH button. Switch on the "BLACK OUT" and indicator LED light up, to press the SINGLE FLASH button for triggering a single flash effect.

6. Technical Specifications

AC power	100 - 240 V , 50/60 Hz
AC mains power cable	2 m ²
LED	3w/99pcs LED
Ambient air temperature	.40° C (104° F)
Short-circuit protection	T6.3A
Dimension/ Weight	
	479×107.5×174mm, 2.7Kg
	18.9"x4.2"x6.9" in, 6.0lbs

Safety Installation Distance

Minimum distance to combustible materials	0.5 m
Minimum distance to illuminated surfaces	10m



Innovation, Quality, Performance