

SKY TRACK™ / SKY TRAM™

FEATURES

SDY TRAM

- Use with SKY TRACK
- Enables smooth, linear, horizontal movements of lamps, set up or install lamps smoothly for various performances
- It is a self-contained DMX controlled motor unit with a DMX interface, motor controller

SKY TRACK

- Can carry up to 200 kilo pr meter
- Enables smooth, linear, horizontal movements of lamps
- Used on the ground, in the ceiling and in combinations, set up or install lamps smoothly for various performances



TECHNICAL SPECIFICATIONS

Specifications

SDY TRAM

- Lifting capacity: 70 kg
- No load maximum speed: 0.5 m/s
- Load 50kg maximum speed: 0.5 m/s
- No load slowest speed: 0.03 m/s
- Load 50kg slowest speed: 0.03 m/s

SKY TRACK

- Weight capacity: 200kg

Control

SDY TRAM

- Control Mode: DMX512, RDM
- DMX Channel: 4 channels

Construction

SDY TRAM

- Display: LCD display
- Data In/Out: 3-pin or 5-pin XLR in/out
- Power In/Out: Power connector in/out
- Protection Rating: IP20

SKY TRACK

- Date In/Out: 3-pin XLR
- Power In/Out: Power cord out
- Protection Rating: IP20

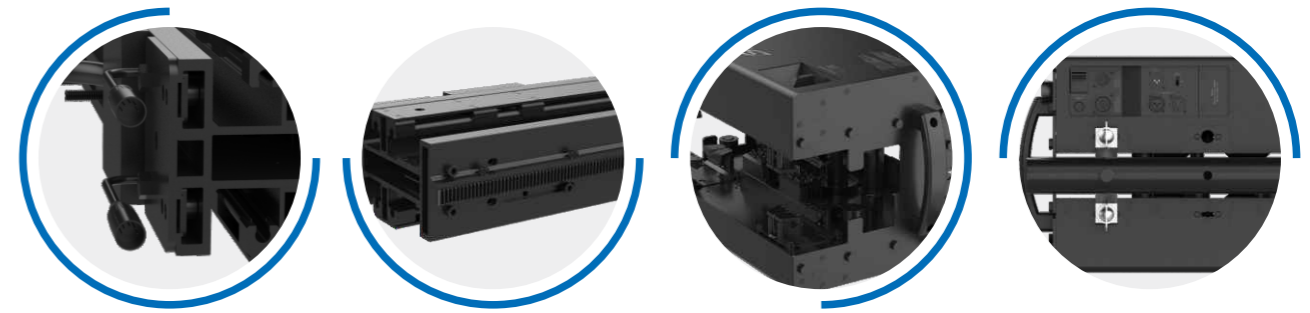
Electrical and Physical

SDY TRAM

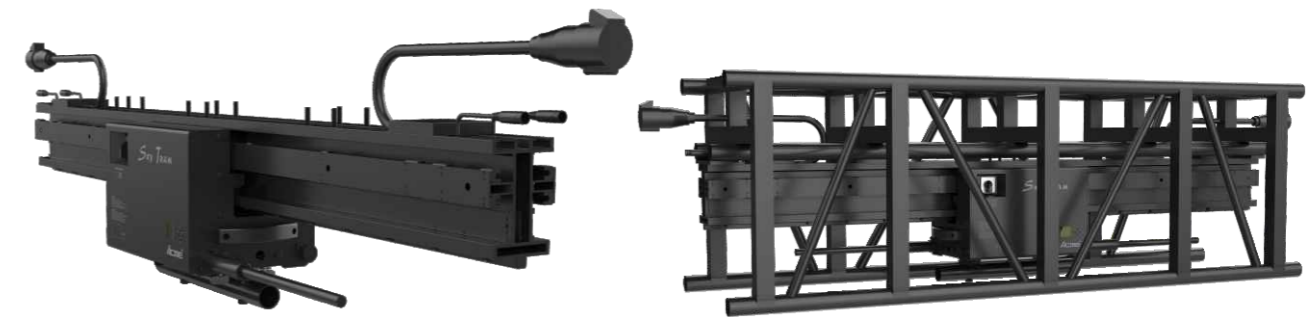
- Power Voltage: AC 100-240V 50/60Hz
- Power Consumption: 120 W
- Dimensions: 520 x 299 x 294 mm (20.5" x 11.8" x 11.5") (SKY TRAM)
1,377 x 299 x 294 mm (54.2" x 11.8" x 11.6") (with crash bar)
- Weight: 26 kg (57.6 lbs)
- Noise: <30 dB@1m

SKY TRACK

- Power Voltage: AC 380V 50/60Hz
- Dimensions: 1997.5x130x212mm (78.6"x5.1"x8.3") (2M sky track)
997.5x133x215mm (39.3"x5.2"x8.5") (1M sky track)
- Weight: 41kg (90.4 lbs) (2M sky track)
21.5kg (47.4 lbs) (1M sky track)

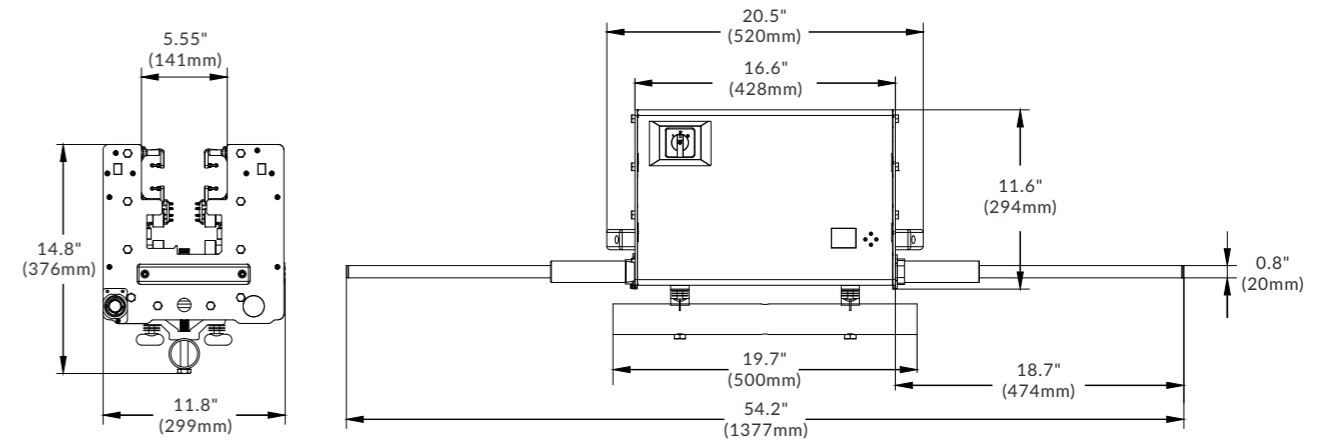


JOINT SCHEMATICS



DIMENSIONS mm (in.)

SDY TRAM



SDY TRACK

