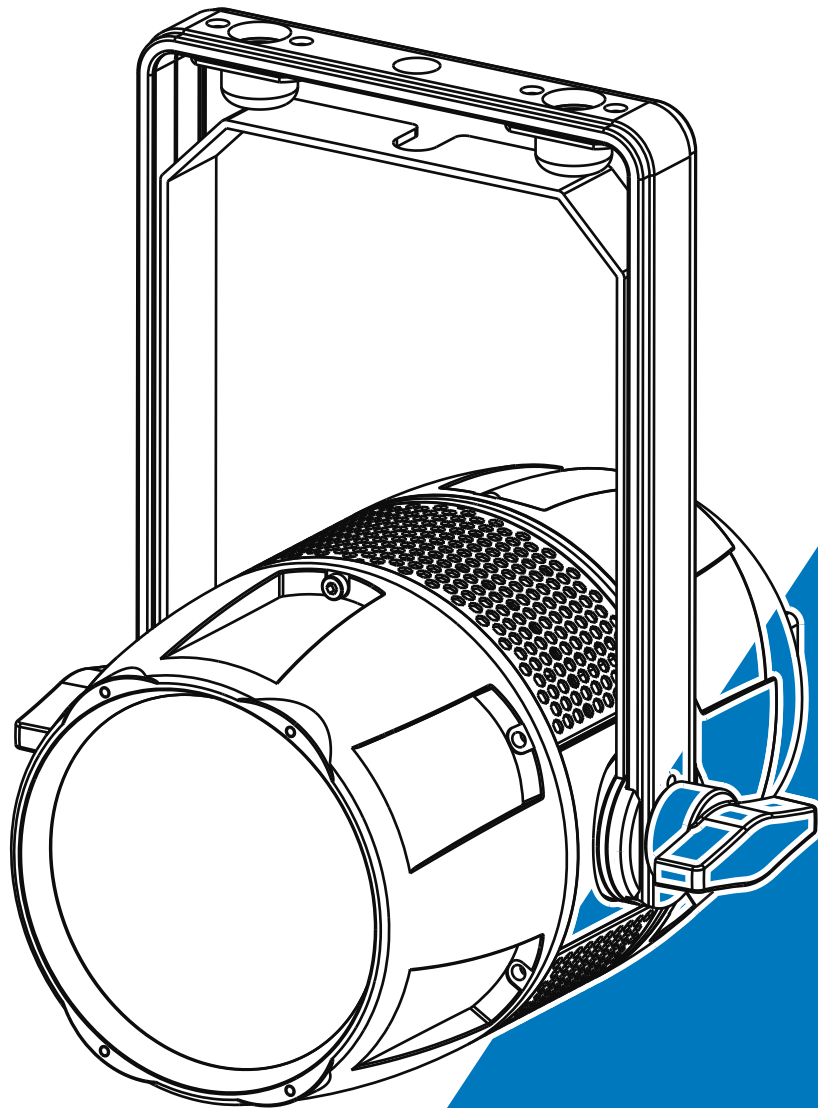




STAGE PAR COLOUR



User Manual

Please read the instruction carefully before use

Menu

1. Safety Instructions	2
2. Technical Specifications	3
3. Installation and Connection	4
4. How to set the unit.....	4
4.1 Rear Panel.....	4
4.2 Main Function.....	5
5. How to control the unit	9
6. DMX512 configuration	9
7. DMX512 Connection.....	11
8.Troubleshooting.....	12
9. Fixture Cleaning.....	13

1. Safety Instructions



WARNING

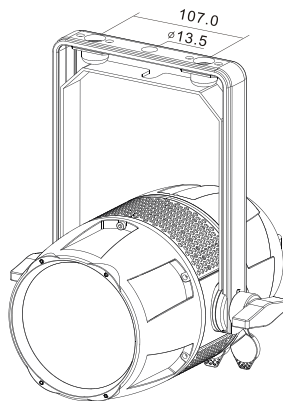
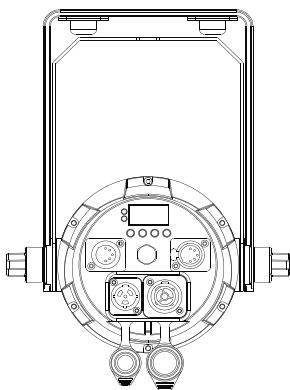
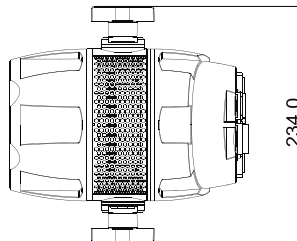
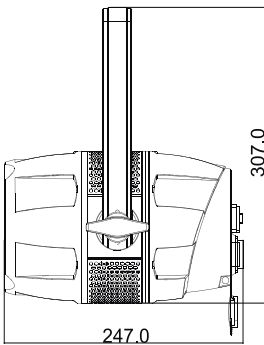
Please read the instruction carefully which includes important information about the installation, usage and maintenance.

- Please keep this User Manual for future consultation. If you sell the fixture to another user, be sure that they also receive this instruction booklet.
- Please unpack and check carefully there is no transportation damage before using the fixture.
- Please disconnect main power before servicing and maintenance.
- The unit must be installed in a location with adequate ventilation, at least 50cm from adjacent surfaces. Be sure that no ventilation slots are blocked.
- The maximum ambient temperature is $T_a: 40^{\circ}\text{C}$. DO NOT operate it where the temperature is higher than this.
- DO NOT connect the device to any dimmer pack.
- The housing must be replaced if they are visibly damaged.
- Unit surface temperature may reach up to 65°C . Don't touch the housing bare-hand during its operation. Turn off the power and allow about 15 minutes for the unit to cool down before replacing or servicing.
- There are no user serviceable parts inside the fixture. Do not open the housing or attempt any repairs by yourself. In the unlikely event your fixture may require service.
- In the event of serious operating problem, stop using the fixture immediately. Never try to repair the fixture by yourself. Repairs carried out by unskilled people can lead to damage or malfunction. Please contact the nearest authorized technical assistance center. Always use the same type spare parts.

For AC 220-240V power supply, the maximum fixtures that can be connected on one power cable is 20(including the first fixture) ;
For AC 100~120V power supply, the maximum fixtures that can be connected on one power cable is 15 (including the first fixture).

2. Technical Specifications

- channel Mode : 6CH/7CH/HSIC Channel Modes; 6CH/7CH/HSIC/4 CH Channel Modes(BL-100 RGBW);
- Dimmer, Strobe;
- Ideal for Professional stages, Concerts, clubs, discotheques, Mobile DJs, etc.
- **Input Voltage:** AC100V~240V, 50/60Hz
- **Total Power consumption:** 125W
- **Beam Angle:** BL-100 RGBW 37°/ BL-100 RGBW D15 15°
- **IP Grade:** IP 65
- **LED Sources:** TX-5260RGBW150C33M10
- **Dimension:** 247 x 234 x 307mm
- **Dimension/Weight:**
247x234x307mm, 4.2Kg
9.7"x9.2"x12.0" in, 9.3lbs



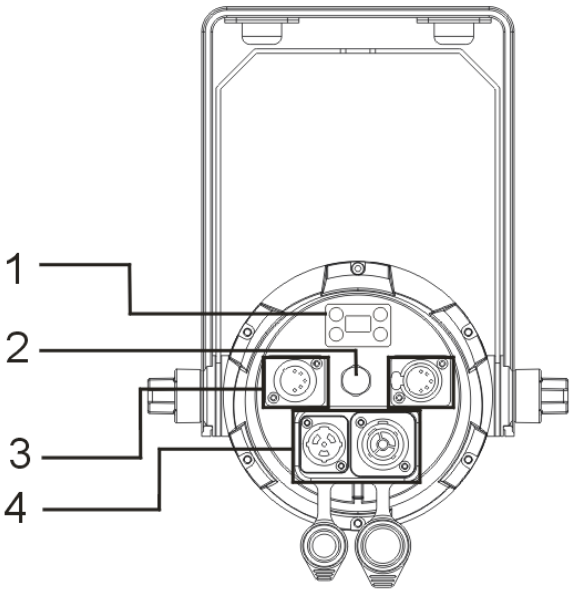
3. Installation and Connection

The unit should be mounted via its screw holes on the bracket. Always ensure that the unit is firmly fixed to avoid vibration and slipping while operating. Always ensure that the structure to which you are attaching the unit is secure and is able to support a weight of 10 times of the unit's weight. Also always use a safety cable that can hold 12 times of the weight of the unit when installing the fixture.

The equipment must be fixed by professionals. And it must be fixed at a place where is out of the touch of people and has no one pass by or under it. The unit should be mounted in the height of 0 to 30m.

4. How to set the unit

4.1 Rear Panel



① Display & Button

MENU	To select the programming functions
DOWN	To go forward in the selected functions
UP	To go backward in the selected functions
ENTER	To confirm the selected functions

② Through the air valve

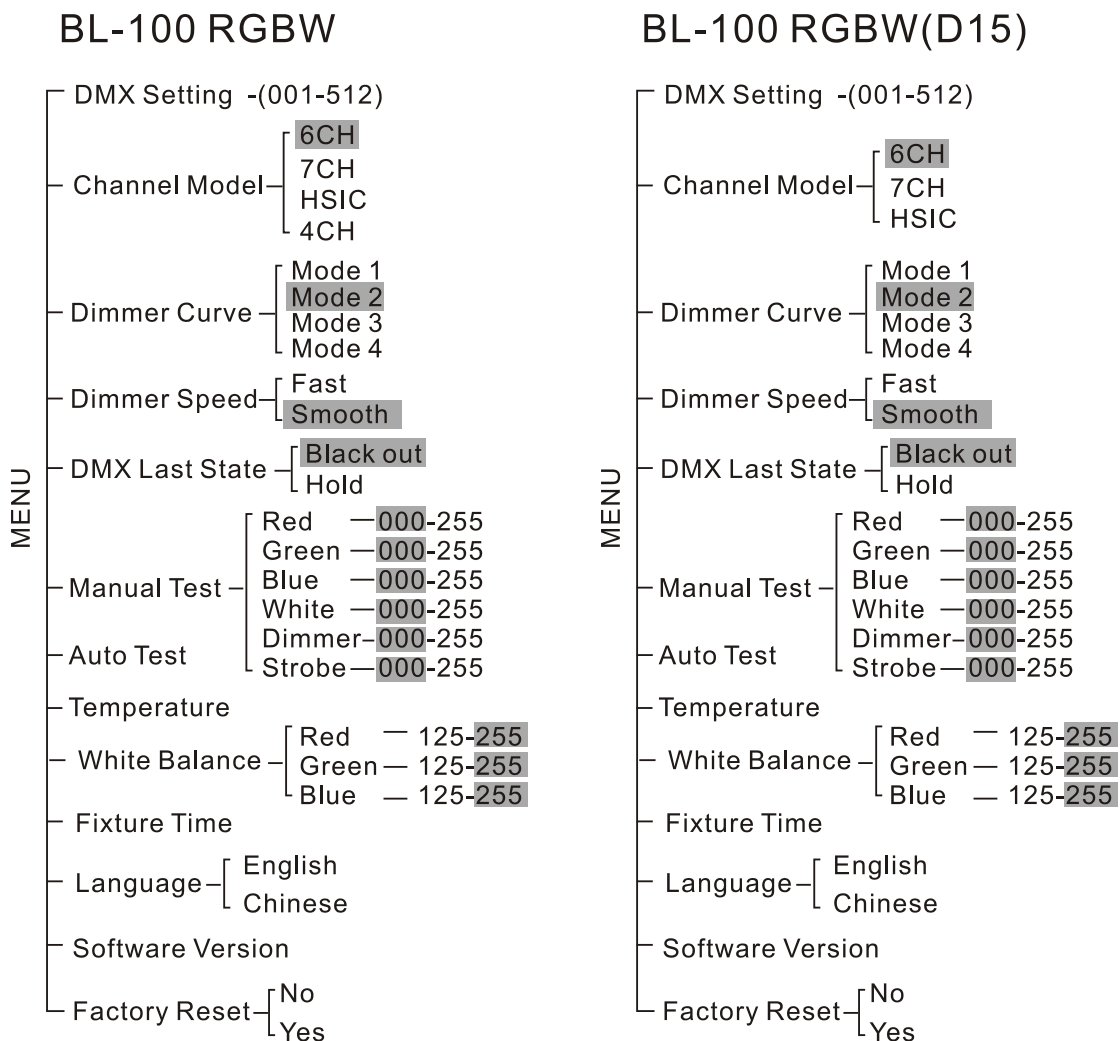
③ **DMX input/output:**

For DMX512 link, use 5-pin XLR plug cable to input DMX signal, and to link the next unit.

④ **Mains input/output:** Use Powercon true one mains connection.

4.2 Main Function

To select any functions, press **MENU** button until the required one is shown on the display. Select the function by **ENTER** button. Use **DOWN** and UP button to change the mode. Once the required mode has been selected, press **ENTER** button to setup or it will return to the main functions without any change after idling 8 seconds automatically. Back to the functions without any change press **MENU** button. The main functions are shown below:



DMX 512 Address Setting

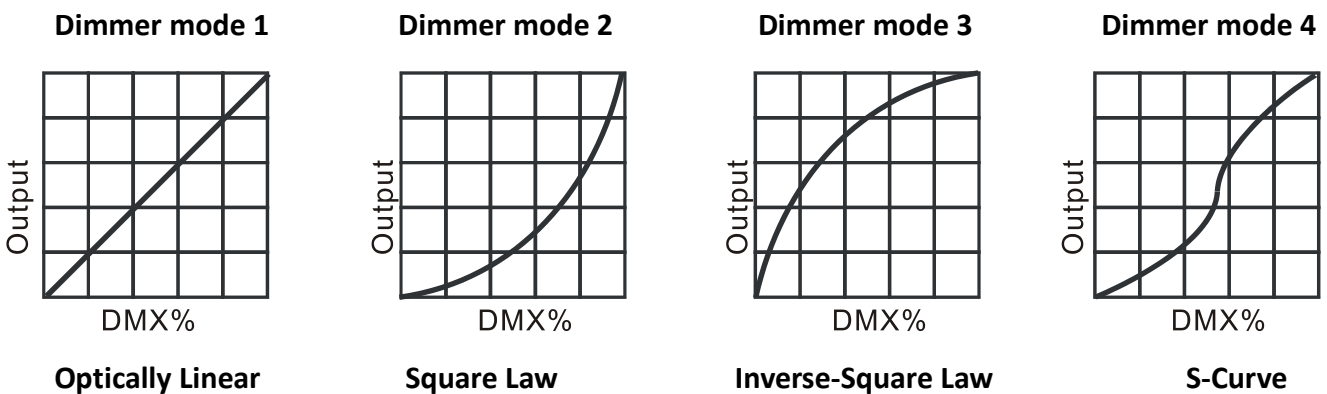
Select the **DMX Address**, press the **ENTER** button and the display will blink. Use the **DOWN** and **UP** button to change the DMX 512 address (001-512). Once the address has been selected, press the **ENTER** button to setup or exit menu mode without any change after 8 seconds automatically. Back to the previous functions without any change press the **MENU** button.

Channel Model

Select the **Channel Modl**, press the **ENTER** button. Use the **DOWN** and **UP** button to select the 6CH /7CH/HSIC 4CHchannel mode , Once selected, press the **ENTER** button to setup or exit menu mode without any change after 8 seconds automatically. To go back to the functions without any change press the **MENU** button

Dimmer Curve

Select the **Dimmer Curve**, press the **ENTER** button. Use the **DOWN** and **UP** button to select Mode 1...Mode 4. Once selected, press the **ENTER** button to setup or exit menu mode without any change after 8 seconds. Back to the functions without any change press the **MENU** button again.



Mode 1(Optically Linear): The increase in light intensity appears to be linear as DMX value is increased.

Mode 2(Square Law): Light intensity control is finer at low levels and coarser at high levels.

Mode 3(Inverse Square Law): Light intensity control is coarser at low levels and finer at high levels.

Mode 4(S-cure): Light intensity control is finer at low levels and high levels and coarser at medium levels.

Dimmer Speed

Select the **Dimmer Speed**, press the **ENTER** button. Use the **DOWN** and **UP** button to select Fast /Smooth, Once selected, press the **ENTER** button to setup or exit menu mode without any change after 8 seconds. Back to the functions without any change press the **MENU** button again.

DMX State

Select the **DMX State**, press the **ENTER** button. Use the **DOWN** and **UP** button to select Blackout/ Hold t , Once selected, press the **ENTER** button to setup or exit menu mode without any change after 8 seconds. Back to the functions without any change press the **MENU** button again.

Manual Test

Select the **Manual Test**, press the **ENTER** button. use the **DOWN** and **UP** button to select Red/Green/Blue/White/Dimmer/Strobe, You can choose values between 0-255,and press the **ENTER** button to setup or automatically exit menu mode without any change after 8 seconds. To go back to the functions without any change press the **MENU** button

Auto Test

Select the **Auto Test**, press the **ENTER** button and the unit will run self-test by built-in program. To go back to the functions press the **MENU** button again. Hold and press the **MENU** button about one second or wait for one minute to exit the menu mode.

Temperature Display

Select the **Temperature**, press **ENTER** button and the display will show the temperature. To go back to the functions press the **MENU** button.

White Balance

Select the **White Balance**, press the **ENTER** button. use the **DOWN** and **UP** button to select Red/Green/Blue, You can choose values between 125-255,and press the **ENTER** button to setup or automatically exit menu mode without any change after 8 seconds. To go back to the functions without any change press the **MENU** button

Fixture Time

Select the Fixture Time, press **ENTER** button and the display will show the number of working hours of the unit. To go back to the functions press the **MENU** button.

Language

Select the **Language**, press the **ENTER** button. use the **OWN** and **UP** button to select English/Chinese, and press the ENTER button to setup or automatically exit menu mode without any change after 8 seconds. To go back to the functions without any change press the MENU button

Software Version

Select the **Software Version**, press **ENTER** button and the display will show the version of software of the unit. To go back to the functions press the **MENU** button.

Factory Reset

Select the **Factory Reset**, press the **ENTER** button. use the **OWN** and **UP** button to select No/Yes, and press the ENTER button to setup or automatically exit menu mode without any change after 8 seconds. To go back to the functions without any change press the MENU button

RDM function

Select the DMX start menu to change the DMX 512 address (001-512)

Select the manufac tuner menu to display the lamp brand ACME.

Select the device model description menu to select the lamp model STAGE PAR COLOUR/STAGE PAR COLOUR D15.

Select the DMX performance menu to set the lamp channel 6channel / 7channel / 4 HSIC channel/4 channel.

Select the device label menu to change the lamp model. The initial model is STAGE PAR COLOUR/STAGE PAR COLOUR D15.

Select the identity device menu, and the off / on option will appear. When you select on, the strobe will appear on the lamp, and select off to turn off the strobe.

Select the device hours menu to display the lamp usage time.

Select the DMX personal menu to display the channel mode used by the luminaire.

Select reset device menu, and the warm / cold option will appear. When warm is selected, the lamp

will restart, and exit when cold is selected.

Select the software menu and the lamp program version number will be displayed.

Select the LED menu to display the LED temperature of the lamp.

5. How to control the unit

1. By DMX controller;

No need to turn the unit off when you change the DMX address, as new DMX address setting will be affected at once. Turn on the unit, under the DMX signal , the LED will display the saved channel address (001-512) .

6. DMX512 configuration

Channel Mode:

7Channel Mode

Channel	Value	Function
1 R	0-255	Dimmer 0 → 100%
2 G	0-255	Dimmer 0 → 100%
3 B	0-255	Dimmer 0 → 100%
4 W	0-255	Dimmer 0 → 100%
5 Color	0-7	NO effect
	8-15	LEE790 - Moroccan pink
	16-22	LEE157 - Pink
	23-30	LEE332 - Special rose pink
	31-37	LEE328 - Follies pink
	38-45	LEE345 - Fuchsia pink
	46-52	LEE194 - Surprise pink
	53-60	LEE181 - Congo Blue
	61-67	LEE071 - Tokyo Blue
	68-75	LEE120 - Deep Blue
	76-82	LEE079 - Just Blue
	83-90	LEE132 - Medium Blue
	91-97	LEE200 - Double CT Blue
	98-105	LEE161 - State Blue
	106-112	LEE201 - Full CT Blue
	113-120	LEE202 - Half CT Blue
	121-127	LEE117 - Steel Blue
	128-135	LEE353 - Lighter Blue
	136-142	LEE118 - Light Blue
	143-150	LEE116 - Medium Blue Green
	151-157	LEE124 - Dark Green
	158-165	LEE139 - Primary Green
	166-172	LEE089 - Moss Green
	173-180	LEE122 - Fern Green
	181-187	LEE738 - JAS Green
	188-195	LEE088 - Lime Green
	196-202	LEE100 - Spring Yellow
	203-210	LEE104 - Deep Amber
211-217	LEE179 - Chrome Orange	
218-225	LEE105 - Orange	
226-232	LEE021 - Gold Amber	
233-240	LEE778 - Millennium Gold	
241-247	LEE135 - Deep Gold Amber	
248-255	LEE164 - Flame Red	
6	0-255	Total Dimmer 0 → 100%
7 Flash	0-5	Open
	6-123	Flash Rate,slow to fast
	124-127	Open
	128-168	LED random strobe(speed1)
	169-208	LED random strobe(speed2)
	209-249	LED random strobe(speed3)
	250-255	Open

6Channel Mode

Channel	Value	Function
1 R	0-255	Dimmer 0 → 100%
2 G	0-255	Dimmer 0 → 100%
3 B	0-255	Dimmer 0 → 100%
4 W	0-255	Dimmer 0 → 100%
5	0-255	Total Dimmer 0 → 100%
6 Flash	0-5	Open
	6-123	Flash Rate,slow to fast
	124-127	Open
	128-168	LED random strobe(speed1)
	169-208	LED random strobe(speed2)
	209-249	LED random strobe(speed3)
	250-255	Open

HSIC Channel Mode

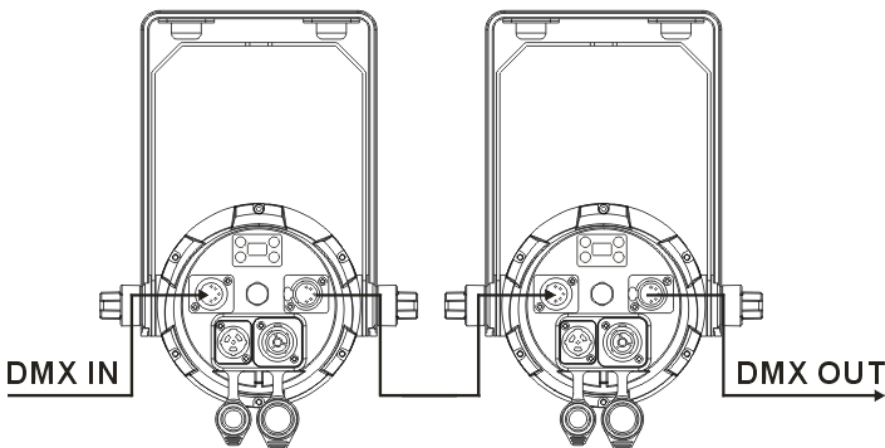
Channel	Value	Function
1 Color	240-255	Red
	168-239	•
	160-167	Blue
	88-159	•
	80-87	Green
	16-79	•
	8-15	Orange
	0-7	Red
2 Saturation	0-255	White → The color of the 1 channel
3 Dimmer	0-255	Dimmer 0 → 100%
4 Color temperature	0-8	NO effect
	9-255	2000K → 10000K

4Channel Mode (Only BL-100 RGBW is available.)

Channel	Value	Function
1 R	0-255	Dimmer 0 → 100%
2 G	0-255	Dimmer 0 → 100%
3 B	0-255	Dimmer 0 → 100%
4 W	0-255	Dimmer 0 → 100%

7. DMX512 Connection

Mode connection:



1. Connect the fixture together in a “daisy chain” by XLR plug cable from the output of the fixture to the input of the next fixture. The cable cannot be branched or split to a “Y” cable. Inadequate or damaged cables, soldered joints or corroded connectors can easily distort the signal and shut down the system

2. The DMX output and input connectors are pass-through to maintain the DMX circuit when one of the units' power is disconnected.
3. At last fixture, the DMX cable has to be terminated with a terminator to reduce signal errors. Solder a 120-ohm 1/4W resistor between pin 2(DMX-) and pin 3(DMX+) into a 5-pin XLR-plug and plug it in the DMX-output of the last fixture.
4. Each lighting fixture needs to have an address set to receive the data sent by the controller. The address number is between 0-511 (usually 0 & 1 are equal to 1).
5. 5 pin XLR connectors:
5 pin XLR: Pin 1: GND, Pin 2: Negative signal (-), Pin 3: Positive signal (+) 4:Blank 5:Blank

8.Troubleshooting

Following are a few common problems that may occur during operation. Here are some suggestions for easy troubleshooting:

A. The fixture does not work, no light

1. Check the connection of power and main fuse.
2. Measure the mains voltage on the main connector.

B. Not responding to DMX controller

1. DMX LED should be on. If not, check DMX connectors, cables to see if link properly.
2. If the DMX LED is on and no response to the channel, check the address settings and DMX polarity.
3. If you have intermittent DMX signal problems, check the pins on connectors or on PCB of the fixture or the previous one.
4. Try to use another DMX controller.
5. Check if the DMX cables run near or run alongside to high voltage cables that may cause damage or interference to DMX interface circuit.

C Error code

Fan.Error

Check whether the fan is stopped

Check whether PCB related detection circuit is damaged

Temp.Error

Check whether the test leads are in good contact and disconnected

Check if the thermistor is broken

Check PCB related circuit for damage

Cpu-B Error Main and auxiliary board communication fault check whether the main and auxiliary board communication cable plugs are connected normally

9. Fixture Cleaning

The cleaning of internal must be carried out periodically to optimize light output. Cleaning frequency depends on the environment in which the fixture operates: damp, smoky or particularly dirty surrounding can cause greater accumulation of dirt on the fixture's optics.

- Clean with soft cloth using normal glass cleaning fluid.
- Always dry the parts carefully.
- Clean the external optics at least every 20 days.

Declaration of Conformity

We declare that our products (lighting equipments) comply with the following specification and bears CE mark in accordance with the provision of the Electromagnetic Compatibility (EMC) Directive 2004/108/EC.

EN55103-1: 2009 ; EN55103-2: 2009;
EN61000-3-2: 2006 + A1:2009 + A2:2009; EN61000-3-3: 2008.

&

Harmonized Standard

EN 60598-1:2008 + All:2009; EN 60598-2-17:1989 + A2:1991;
EN 62471:2008; EN 62493: 2010
Safety of household and similar electrical appliances
Part 1: General requirements

Innovation, Quality, Performance