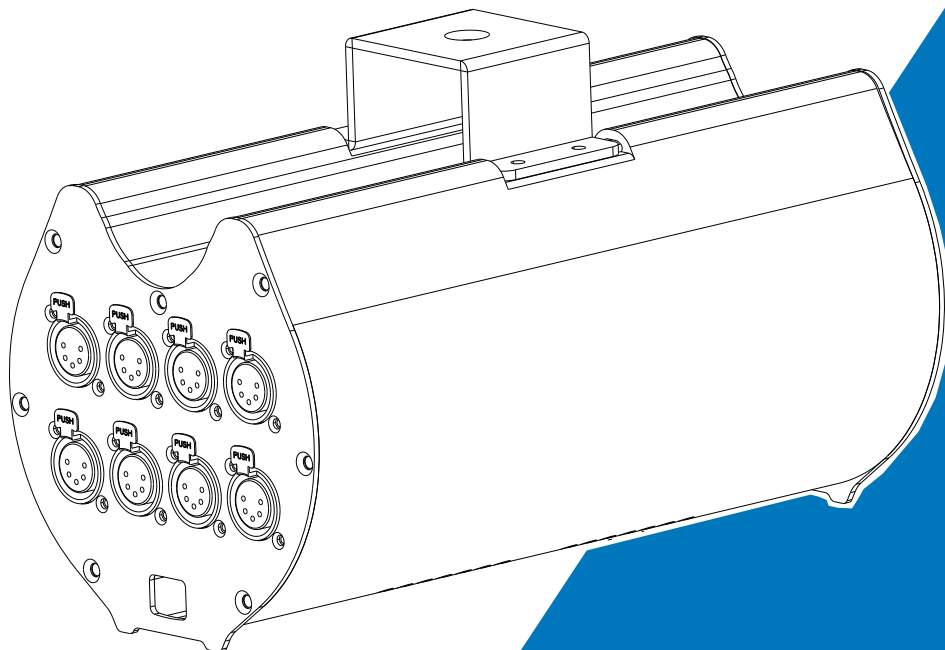
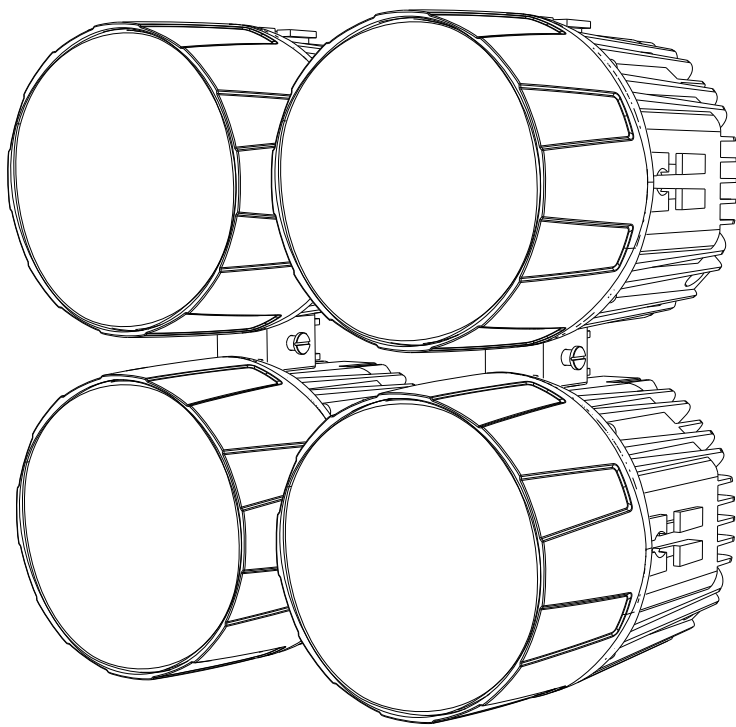




## PIXEL 100 & PIXEL POWER 8



**User Manual**

Please read the instruction carefully before use

## CONTENTS

1. Safety Instructions .....	1
2. Technical Specifications.....	3
3. Control Panel .....	5
4. How To Set The Unit.....	6
4.1 Main Function.....	6
5. Control By Universal DMX Controller.....	13
5.1 DMX512 Connection .....	13
5.2 Address Setting .....	13
5.3 DMX512 Configuration.....	14
6. Error Information .....	26
7. Troubleshooting .....	27
8. Fixture Cleaning.....	27

## 1. Safety Instructions



Please read the instruction carefully which includes important information about the installation, usage and maintenance.

### WARNING

Please keep this User Guide for future consultation. If you sell the unit to another user, be sure that they also receive this instruction manual.

### Important:

**Damages caused by the disregard of this user manual are not subject to warranty. The dealer will not accept liability for any resulting defects or problems.**

- Unpack and check carefully that there is no transportation damage before using the unit.
- This product is for indoor use only.
- DO install and operate by qualified operator.
- DO NOT allow children to operate the fixture.
- Use safety chain when fixing the unit. Handle the unit by carrying its base instead of head only.
- The unit must be installed in a location with adequate ventilation, at least 50cm from adjacent surfaces.
- Be sure that no ventilation slots are blocked, otherwise the unit will be overheated.
- Before operating, ensure that the voltage and frequency of power supply match the power requirements of the unit.
- It's important to ground the yellow/green conductor to earth in order to avoid electric shock.
- Minimum ambient temperature TA: 0°C. Maximum ambient temperature TA: 40°C.
- DO NOT connect the device to any dimmer pack.
- Make sure there are no flammable materials close to the unit while operating to avoid fire hazard.
- Examine the power wires carefully; replace them immediately if there is any damage.
- Unit's surface temperature may reach up to 65°C. DO NOT touch the housing bare-handed during its operation.
- Avoid any inflammable liquids, water or metal objects entering the unit. Once it happens, cut off the mains power immediately.
- DO NOT operate in dirty or dusty environment, do clean fixtures regularly.

- DO NOT touch any wire during operation as there might be a hazard of electric shock.
- Avoid power wires together twist other cables.
- The minimum distance between light output and the illuminated surface must be more than 0.5 meters.
- In the event of serious operating problem, stop using the unit immediately.
- Never turn on and off the unit time after time.
- The housing, the lenses, or the ultraviolet filter must be replaced if they are visibly damaged.
- DO NOT open the unit as there are no user serviceable parts inside.
- Never try to repair the unit by yourself. Repairs carried out by unskilled people can lead to damage or malfunction. Please contact the nearest authorized technical assistance center if needed.
- Disconnect the mains power if the fixture is has not been used for a long time.
- DO use the original packing materials before transporting it again.
- DO NOT look directly at the light while the bulb is on.
- DO NOT start on the unit without bulb enclosure or when housing is damaged.

**Installation:**

The fixture should be mounted via its Omega Quick Release Clamp bracket. Always ensure that the unit is firmly fixed to avoid vibration and slipping while operating and make sure that the structure to which you are attaching the unit is secure and is able to support a weight of 10 times of the fixtures weight. Always use a safety cable that can hold 12 times of the weight of the fixture when installing.

The equipment must be installed by professionals. It must be installed in a place where is out of the reach of people and no one can pass by or under it.

## 2. Technical Specifications

### Power Voltage:

PIXEL 100:DC24V

PIXEL POWER 8: 100-240V~ 50/60Hz

### Power Consumption:

PIXEL 8:75W

PIXEL POWER 8: 530W

### Light Source:

1 x 80W RGBL

24 x 5050RGB LED

### Color Temperature:

2500K-8000K

### Beam Angle:

2.7°-21°

### Field Angle:

4.4°-26.3°

### Dimmer/Shutter:

Smooth dimming from 0-100%; outstanding strobe effect with variable speed

### Control:

DMX Channel: 19/103/152 Channels

Protocols: DMX512, RDM

Firmware Upgrade via DMX link

### Construction:

Display: OLED

Data In/Out: 3-pin (5-pin XLR is optional)

Power In/Out: Power Connector in/out

Protection Rating: IP20

Data In/Out: Power & Signal Hybrid 5-pin Cable Out / 3-pin XLR In

## Features:

### PIXEL 100:

- High brightness, energy saving
- The light output can reach 8,500 lm at 5 meters distance
- Pixel & ring control for backlight on the lens
- Compact design, small size, only 1.9kg, passed the 10 times weight load-bearing test
- Hanger & buckle design, multiple units can be split-jointed horizontally and vertically without any tools, various installation options
- Smooth dimming from 0-100%
- Outstanding strobe effect with variable speed
- Use with power box - PIXEL POWER 8, one power box can carry 8 units PIXEL 100
- Flicker free management

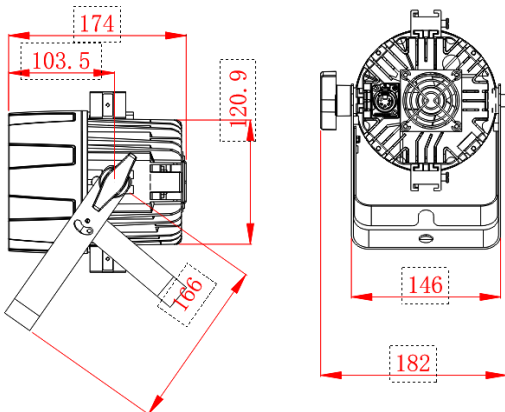
### PIXEL POWER 8:

- Eight five-core DMX sockets provide power and signal to PIXEL 100 through dedicated five-core power supply signal compound wire.
- With fast connection function, it is convenient to install,
- Safe and fast, energy-saving and environmental protection, compact and lightweight, saving more costs.

## Dimension/Weight:

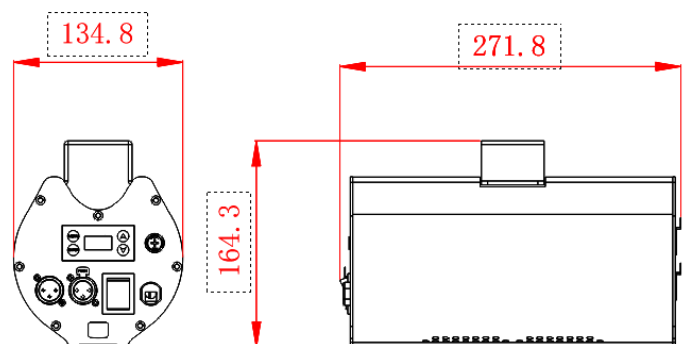
### PIXEL 100:

6.9"x7.2"x10" in, 4.2 lbs



### PIXEL POWER 8:

10.8"x5.3"x6.5" in, 7.1 lbs



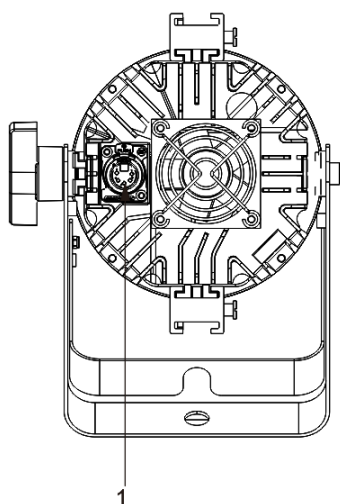
**Photometrics Diagram:**

	2m	4m	6m	8m
2.7° Lux	65625	16406	7292	4102
m	0.1	0.2	0.3	0.3
21° Lux	1450	441	196	122
m	0.8	1.6	2.3	3.1

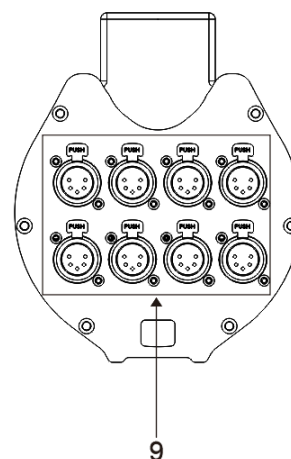
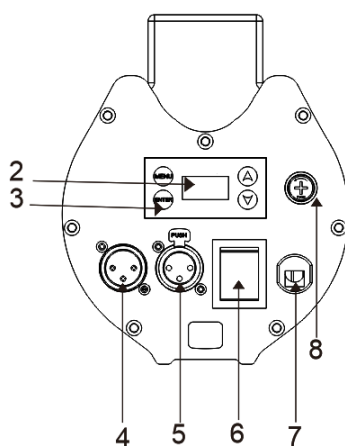
**3. Control Panel**

POWERCON Version:

PIXEL 100:



PIXEL POWER 8:



**1 DMX IN:**DMX 512 operation, use 3-pin XLR cable to link the next units (5-pin XLR is optional)

**2 DISPLAY:** To show the various menus and the selected function

**3 Button:**

<b>MENU</b>	To enter into move backward or leave the menu
<b>▲ UP</b>	To go backward to move up in the menu
<b>▼ DOWN</b>	To go forward to move down in the menu
<b>ENTER</b>	To perform the desired functions

**4 POWER IN(POWERCON Version):**

To connect to supply power

**5 POWER OUT(POWERCON Version):**

To connect to the next fixture

**6.WER SWITCH:** Turn Power On/off

**7.wer Cord (straight-out version) :** connected to power supply

**8. Safety Tube (T6.3a) :** overcurrent protection

**9 Power output (POWERCON) :** connect the next lamp

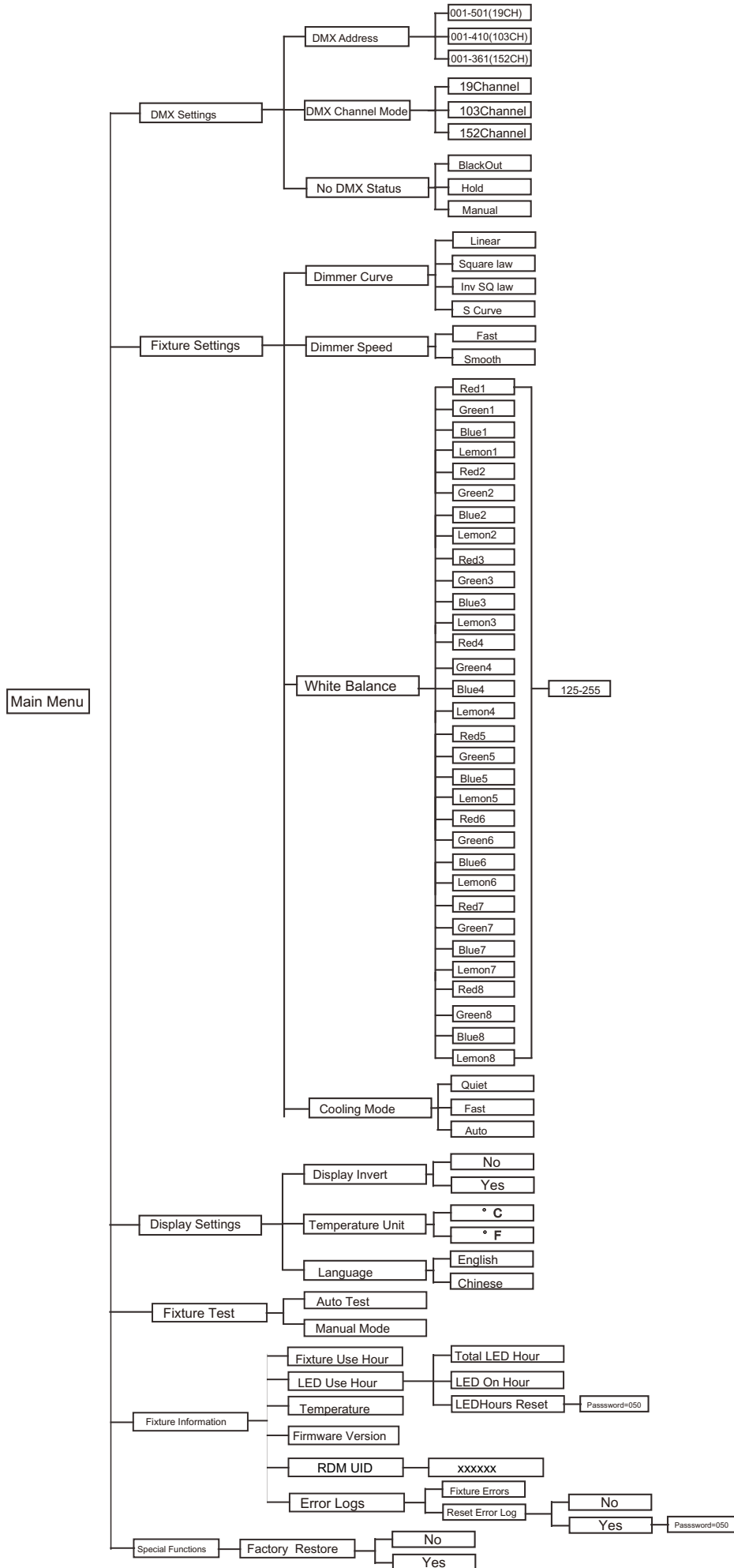
## **4. How To Set The Unit**

### **4.1 Main Function**

Turn on the unit, press the MENU button into menu mode, and press the UP/DOWN button until the required function is shown on the monitor. Select the function by the ENTER button. Use the UP/DOWN button to choose the submenu, press the ENTER button to store and automatically return to the last menu. Press the MENU button or let the unit idle 30 seconds to exit menu mode.

The main functions are shown below:





## **DMX Settings**

To select **DMX Settings**, press the **ENTER** button to confirm, use the **UP/DOWN** button to select **DMX Address, DMX Channel Mode Or No DMX Status**.

### **DMX Address**

To select **DMX Address**, press the **ENTER** button to confirm. Use the **UP/DOWN** button to adjust the address from **001** to **501/306**, press the **ENTER** button to store. Press the **MENU** button back to the last menu or let the unit idle One Minute to exit menu mode.

### **DMX Channel Mode**

To select **DMX Channel Mode**, press the **ENTER** button to confirm. Use the **UP/DOWN** button to select **19CH/103CH/150CH**, press the **ENTER** button to store. Press the **MENU** button back to the last menu or let the unit idle 30 seconds to exit menu mode.

### **No DMX Status**

To select **No DMX Status**, press the **ENTER** button to confirm. Use the **UP/DOWN** button to select **BlackOut**(fixture blacks out if DMX signal stops) , **Hold**(fixture continues to obey the last command it received Via DMX if DMX signal stops)or **Manual**((When DMX signal is disconnected, the device runs in manual mode), press the **ENTER** button to store. Press the **MENU** button back to the last menu or let the unit idle 30 seconds to exit menu mode.

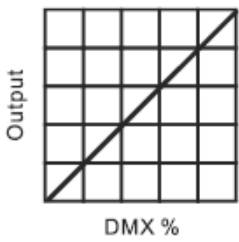
## **Fixture Settings**

To select Fixture Settings, press the **ENTER** button to confirm, use the **UP/DOWN** button to select **Dimmer Curve, Dimmer Speed, White Balance** ,

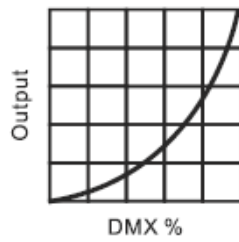
### **Dimming curve**

To select **Dimmer Curve**, press the **ENTER** button to confirm. Use the **DOWN/UP** button to select **Linear, Square Law, Inv SQ Law** or **S Curve**, press the **ENTER** button to store. Press the **MENU** button back to the last menu or let the unit idle 30 seconds to exit menu mode.

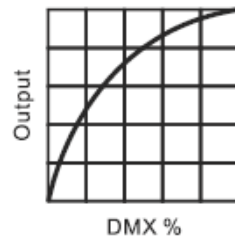
## Dimmer Modes



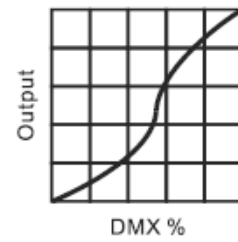
Optically Linear



Square Law



Inverse Square Law



S-curve

**Optically Linear:** The increase in light intensity appears to be linear as DMX value is increased.

**Square Law:** Light intensity control is finer at low levels and coarser at high levels.

**Inverse Square Law:** Light intensity control is coarser at low levels and finer at high levels.

**S-Curve:** Light intensity control is finer at low levels and high levels and coarser at medium levels.

## Dimming Speed

To select **Dimming speed** and press the ENTER button to confirm. The current mode will be displayed on the display. Use the **UP/DOWN** buttons to select: fast or smooth, press the ENTER button to save. Press the **MENU** button to return to the previous menu or wait one minute to automatically exit the menu mode.

## White Balance:

To select **White Balance**, press the **ENTER** button to confirm. Use the **UP/DOWN** button to select **Red1**, **Green1**, **Blue1**, **Lemon1**, **Red2**,..... or **Lemon8**, press the **ENTER** button to store. Use the **UP/DOWN** button to adjust the value from **0** to **255**, press the **ENTER** button to store. Press the **MENU** button back to the last menu or let the unit idle 30 seconds to exit menu mode.

## Fan Mode

into **MENU** mode, select fan mode, press **ENTER** button to confirm, through the **UP/DOWN** button to choose: **automatic**, **slow** or **fast**, press **ENTER** button to save. Press the **MENU** button to go back to the previous **MENU** or wait 30 seconds to automatically exit MENU mode.

## Display Settings

Enter the **MENU** mode, To select **Display Settings**, press the **ENTER** button to confirm, and use **UP/DOWN** to select: **Display Inversion**, **Temperature unit**, **Display Warning** or **Device Language**.

### Display Inversion

To select **Display Inversion**, press the **ENTER** button to confirm, the current mode will be displayed on the display, use the **UP/DOWN** button to select: **No** or **Yes**, press the **ENTER** button to save. Press the **MENU** button to return to the previous menu or wait one minute to automatically exit the menu mode.

### Display Invert

To select **Display Invert**, press the **ENTER** button to confirm. Use the **UP/DOWN** button to select **No**(normal display) or **Yes**(invert display), press the **ENTER** button to store. Press the **MENU** button to return to the previous menu or wait one minute to automatically exit the menu mode.

### Temperature Unit

To select **Temperature Unit**, press the **ENTER** button to confirm. Use the **UP/DOWN** button to select **°C** or **°F**, press the **ENTER** button to store. Press the **MENU** button to return to the previous menu or wait one minute to automatically exit the menu mode.

### Language

To select **Language**, press the **ENTER** button to confirm. Use the **UP/DOWN** button to select **English** or **Chinese**, press the **ENTER** button to store. Press the **MENU** button to return to the previous menu or wait one minute to automatically exit the menu mode.

## ***Fixture Test***

To select **Fixture Test**, press the **ENTER** button to confirm, use the **UP/DOWN** button to select **Auto Test** or **Manual Test**.

### **Auto Test**

To select Auto Test, press the **ENTER** button to confirm, Press the **MENU** button to return to the previous menu or wait one minute to automatically exit the menu mode.

### **Manual Test**

To select **Manual Test**, press the **ENTER** button to confirm, the present channel will show on the display, use the **UP/DOWN** button to select channel, press the **ENTER** button to confirm, then use the **UP/DOWN** button to adjust the value, press the **ENTER** button to store, the fixture will run as the channel value indicates. Press the **MENU** button to return to the previous menu or wait one minute to automatically exit the menu mode.

(All channels value will become 0 after exiting Manual Test menu)

## ***Fixture Information***

To select **Fixture Information**, press the **ENTER** button to confirm, use the **UP/DOWN** button to select **Fixture Use Hour**, **LED Use Hour**, **Temperature**, **Fan State**, **Firmware Version** or **Error Logs**.

### **Fixture Use Hour**

To select **Fixture Use Hour**, press the **ENTER** button to confirm, fixture use hour will show on the display, press the **MENU** button to exit.

### **LED Use Hour**

To select **LED Use Hour**, press the **ENTER** button to confirm and lamp use time in **Total LED Hours**, **LED On Hour** or **LED Hour Reset**. can be viewed, press the **ENTER** button to confirm. Press the **MENU** button to return to the previous menu or wait one minute to automatically exit the menu mode.

To select **Total LED Hours**, press the **ENTER** button to confirm, the total number of LED hours will be displayed on the screen, press the **MENU** button to exit. Select the **LED On Time**, press the **ENTER** button to confirm, the LED on time will be displayed on the screen, press the **MENU** button to exit. Select **LED Hour Reset**, press **ENTER** button to confirm, use **UP/DOWN** button to set password **050** to reset LED time, press **ENTER** button to save, Press the **MENU** button to return to the previous menu or wait one minute to automatically exit the menu mode.

## **Temperature**

To select **Temperature**, press the **ENTER** button to confirm, fixture temperature will show on the display, press the **MENU** button to exit.

## **Fan State**

To select **Fan State**, press the **ENTER** button to confirm, fan state will show on the display, press the **MENU** button back to exit.

## **Firmware Version**

To select **Firmware Version**, press the **ENTER** button to confirm, firmware version will show on the display, press the **MENU** button back to exit.

## **Error Logs**

To select **Error Logs**, press the **ENTER** button to confirm. Use the **UP/DOWN** button to select **Fixture Errors** or **Reset Error Log**, press the **ENTER** button to store. To select **Reset Error Log**, press the **ENTER** button to confirm, use the **UP/DOWN** button to select **No** or **Yes**, press the **ENTER** button to store. To select **Yes**, press the **ENTER** button to confirm, use the **UP/DOWN** button to set the password **050**, Press the **MENU** button to return to the previous menu or wait one minute to automatically exit the menu mode.

## **Reset function**

into **MENU** mode, select, reset function, press **ENTER** button to confirm, use **UP/DOWN** button to select: **Effect Reset**. Effect Reset selection, error message, press **ENTER** button to confirm, use

UP/DOWN button to select: no or, press **ENTER** button to confirm, the display will show the status of the fan, press MENU button to exit.

### ***Special Function***

To select ***Special Function***, press the **ENTER** button to confirm and lamp use time in **Factory Settings** can be viewed, press the **ENTER** button to confirm. Press the **MENU** button to return to the previous menu or wait one minute to automatically exit the menu mode.

### **Factory Settings**

To select **Factory Settings**, press the **ENTER** button to confirm, use the **UP/DOWN** button to select **No**(normal) or **Yes**(the fixture will reset to factory settings), Press the **MENU** button to return to the previous menu or wait one minute to automatically exit the menu mode.

### ***RDM FUNCTIONS***

Select the MANUFACTURER menu to display the manufacturer of the fixture.

Select the SOFTWARE VERSION menu and the program version number of the fixture will be displayed.

Select the DMX START ADDRESS menu to change the DMX 512 address (001-501)

Select the DEVICE MODEL DESCRIPTION menu to display the model of the fixture.

Select the DEVICE LABEL menu to change the model of the fixture.

Select the DMX PERSONALITY menu to set the channel mode of the fixture (19/103/152channel).

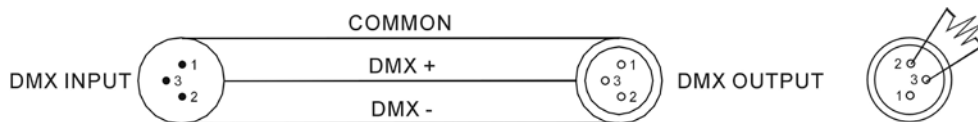
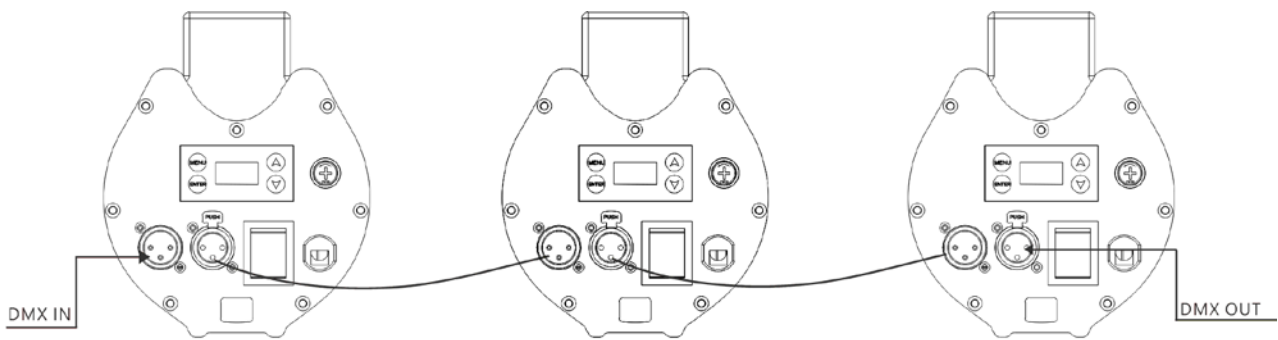
Select the DMX PERSONALITY DESCRIPTION menu to display the current channel mode of the fixture.

Select the DEVICE HOURS menu to display the running time of the fixture.

Select the RESET DEVICE menu, the WARM RESET/COLD RESET option will be displayed. When WARM RESET is selected, the fixture will start a warm reset, and exit when COLD RESET is selected.

## 5. Control By Universal DMX Controller

### 5.1 DMX512 Connection



1. At last unit, the DMX cable has to be terminated with a terminator. Solder a 120-ohm 1/4W resistor between pin 2(DMX-) and pin 3(DMX+) into a 3-pin XLR-plug and plug it in the DMX-output of the last unit.
2. Connect the unit together in a “daisy chain” by XLR plug cable from the output of the unit to the input of the next unit. The cable cannot be branched or split to a “Y” cable. DMX 512 is a very high-speed signal. Inadequate or damaged cables, soldered joints or corroded connectors can easily distort the signal and shut down the system.
3. The DMX output and input connectors are pass-through to maintain the DMX circuit, when one of the units’ power is disconnected.
4. Each lighting unit needs to have a DMX address to receive the data by the controller. The address number is between 1-501
5. The end of the DMX 512 system should be terminated to reduce signal errors.
6. 3 pin XLR connectors are more popular than 5 pins XLR.
  - 3 pin XLR: Pin 1: GND, Pin 2: Negative signal (-), Pin 3: Positive signal (+)
  - 5 pin XLR: Pin 1: GND, Pin 2: Negative signal (-), Pin 3: Positive signal (+), Pin4, Pin5 not used.

### 5.2 Address Setting

If you use a universal DMX controller to control the units, you have to set DMX address from 1 to 512 so that the units can receive DMX signal.



Press the MENU button to enter menu mode, select DMX Settings, press the ENTER button to confirm, use the UP/DOWN button to select DMX Address, press the ENTER button to confirm, the present address will blink on the display, use the UP/DOWN button to adjust the address from 001 to 512, press the ENTER button to store. Press the MENU button back to the last menu or let the unit idle one minute to exit menu mode.

Please refer to the following diagram to address your DMX512 channel for the first 4 units.

Channel mode	Unit 1 Address	Unit 2 Address	Unit 3 Address	Unit 4 Address
19hannels	1	20	39	58
103annels	1	104	207	310
152nels	1	153	305	457

### **5.3 DMX512 Configuration**

Please refer to below configurations to control the fixtures

**Attentions:**

1. The unit will maintain the last condition until reset if you cut-off the DMX signal.
2. or the channel Function, keep the value for about 3 seconds, then the corresponding function will take into effect.

<b>19channel</b>	<b>value</b>	<b>function</b>
1	000-255	Red
2	000-255	Green
3	000-255	Blue
4	000-255	Lemon
5		Color macro
	000-009	No Base Color
	010-017	Color1
	018-024	Color2
	025-032	Color3
	033-039	Color4
	040-047	Color5
	048-054	Color6
	055-061	Color7
	062-069	Color8
	070-076	Color9
	077-084	Color10
	085-091	Color11
	092-099	Color12
	100-106	Color13
	107-113	Color14
	114-121	Color15
	122-128	Color16
	129-136	Color17
	137-143	Color18
	144-151	Color19
	152-158	Color20
	159-165	Color21
	166-173	Color22
	174-180	Color23
	181-188	Color24
	189-195	Color25
	196-203	Color26
	204-210	Color27
	211-217	Color28
	218-225	Color29
	226-232	Color30
	233-240	Color31
241-247	Color32	
248-255	Color33	
6	0-255	CTO
7	000-255	Dimmer Intensity: Intensity 0 to 100%
8	000-255	Dimmer Fine: 0 to 100%
		Shutter, Strobe:
	000-007	Close
	008-015	Opne

9	016-131	Strobe Slow->Fast	
	132-139	Open	
	140-181	Fast Close Slow Open	
	182-189	Open	
	190-231	Fast Open Slow Close	
	232-239	Open	
	240-247	Random Strobe	
	248-255	Open	
10	000-255	Zoom: Zoom adjustment from wide to narrow	
11	000-255	Backlight_Red_Dimmer	
12	000-255	Backlight_Green_Dimmer	
13	000-255	Backlight_Blue_Dimmer	
14	000-255	Backlight_White_Dimmer	
15		Backlight_Color moco	
	000-009	No Base Color	
	010-017	Color1	
	018-024	Color2	
	025-032	Color3	
	033-039	Color4	
	040-047	Color5	
	048-054	Color6	
	055-061	Color7	
	062-069	Color8	
	070-076	Color9	
	077-084	Color10	
	085-091	Color11	
	092-099	Color12	
	100-106	Color13	
	107-113	Color14	
	114-121	Color15	
	122-128	Color16	
	129-136	Color17	
	137-143	Color18	
	144-151	Color19	
	152-158	Color20	
	159-165	Color21	
	166-173	Color22	
	174-180	Color23	
	181-188	Color24	
	189-195	Color25	
	196-203	Color26	
	204-210	Color27	
	211-217	Color28	
	218-225	Color29	
	226-232	Color30	
233-240	Color31		
241-247	Color32		

	248-255	Color33	
16	000-255	Backlight_Dimmer Intensity: Intensity 0 to 100%	
17	000-255	Backlight_Shutter, Strobe:	
	000-007	Close	
	008-015	Opne	
	016-131	Strobe Slow->Fast	
	132-139	Open	
	140-181	Fast Close Slow Open	
	182-189	Open	
	190-231	Fast Open Slow Close	
	232-239	Open	
	240-247	Random Strobe	
	248-255	Open	
18		Backlight_Macro	
	0-55	No function	
	56-65	Macro1	
	66-75	Macro2	
	76-85	Macro3	
	86-95	Macro4	
	96-105	Macro5	
	106-115	Macro6	
	116-125	Macro7	
	126-135	Macro8	
	136-145	Macro9	
	146-155	Macro10	
	156-165	Macro11	
	166-175	Macro12	
	176-185	Macro13	
	186-195	Macro14	
	196-205	Macro15	
	206-215	Macro16	
	216-225	Macro17	
	226-235	Macro18	
236-245	Macro19		
246-255	Macro20		
19	000-255	Backlight_Macro_Speed	

103channe	value	function	
1	000-255	Red	LED1
2	000-255	Green	
3	000-255	Blue	
4	000-255	Lemon	

5	000-255	Color mocro	
6	000-255	CTO	
7	000-255	Zoom	
8	000-255	Red	LED2
9	000-255	Green	
10	000-255	Blue	
11	000-255	Lemon	
12	000-255	Color mocro	
13	000-255	CTO	
14	000-255	Zoom	LED3
15	000-255	Red	
16	000-255	Green	
17	000-255	Blue	
18	000-255	Lemon	
19	000-255	Color mocro	
20	000-255	CTO	
21	000-255	Zoom	LED4
22	000-255	Red	
23	000-255	Green	
24	000-255	Blue	
25	000-255	Lemon	
26	000-255	Color mocro	
27	000-255	CTO	
28	000-255	Zoom	
29	000-255	Red	
30	000-255	Green	
31	000-255	Blue	
32	000-255	Lemon	
33	000-255	Color mocro	
34	000-255	CTO	
35	000-255	Zoom	LED6
36	000-255	Red	
37	000-255	Green	
38	000-255	Blue	
39	000-255	Lemon	
40	000-255	Color mocro	
41	000-255	CTO	
42	000-255	Zoom	
43	000-255	Red	
44	000-255	Green	
45	000-255	Blue	
46	000-255	Lemon	
47	000-255	Color mocro	
48	000-255	CTO	

49	000-255	Zoom	
50	000-255	Red	LED8
51	000-255	Green	
52	000-255	Blue	
53	000-255	Lemon	
54	000-255	Color mocro	
55	000-255	CTO	
56	000-255	Zoom	
57	000-255	Dimmer Intensity: Intensity 0 to 100%	
58	000-255	Dimmer Fine: 0 to 100%	
59	000-255	Shutter, Strobe:	
60	000-255	Backlight_Red_Dimmer	LED1
61	000-255	Backlight_Green_Dimmer	
62	000-255	Backlight_Blue_Dimmer	
63	000-255	Backlight_White_Dimmer	
64	000-255	Backlight_Color mocro	LED2
65	000-255	Backlight_Red_Dimmer	
66	000-255	Backlight_Green_Dimmer	
67	000-255	Backlight_Blue_Dimmer	
68	000-255	Backlight_White_Dimmer	
69	000-255	Backlight_Color mocro	LED3
70	000-255	Backlight_Red_Dimmer	
71	000-255	Backlight_Green_Dimmer	
72	000-255	Backlight_Blue_Dimmer	
73	000-255	Backlight_White_Dimmer	
74	000-255	Backlight_Color mocro	LED4
75	000-255	Backlight_Red_Dimmer	
76	000-255	Backlight_Green_Dimmer	
77	000-255	Backlight_Blue_Dimmer	
78	000-255	Backlight_White_Dimmer	
79	000-255	Backlight_Color mocro	LED5
80	000-255	Backlight_Red_Dimmer	
81	000-255	Backlight_Green_Dimmer	
82	000-255	Backlight_Blue_Dimmer	
83	000-255	Backlight_White_Dimmer	
84	000-255	Backlight_Color mocro	LED6
85	000-255	Backlight_Red_Dimmer	
86	000-255	Backlight_Green_Dimmer	
87	000-255	Backlight_Blue_Dimmer	
88	000-255	Backlight_White_Dimmer	
89	000-255	Backlight_Color mocro	
90	000-255	Backlight_Red_Dimmer	
91	000-255	Backlight_Green_Dimmer	

92	000-255	Backlight_Blue_Dimmer	LED7
93	000-255	Backlight_White_Dimmer	
94	000-255	Backlight_Color mocro	
95	000-255	Backlight_Red_Dimmer	LED8
96	000-255	Backlight_Green_Dimmer	
97	000-255	Backlight_Blue_Dimmer	
98	000-255	Backlight_White_Dimmer	
99	000-255	Backlight_Color mocro	
100	000-255	Blacklight_Dimmer Intensity: Intensity 0 to 100%	
101	000-255	Backlight_Shutter, Strobe:	
102	000-255	Backlight_Macro	
103	000-255	Backlight_Macro_Speed	

<b>152channe</b>	<b>value</b>	<b>function</b>		
1	000-255	Red	LED1	
2	000-255	Green		
3	000-255	Blue		
4	000-255	Lemon		
5	000-255	Color mocro		
6	000-255	CTO		
7	000-255	Dimmer Intensity: Intensity 0 to 100%		
8	000-255	Dimmer Fine: 0 to 100%		
9	000-255	Shutter, Strobe:		
10	000-255	Zoom: Zoom adjustment from wide to narrow		
11	000-255	Backlight_Red_Dimmer		
12	000-255	Backlight_Green_Dimmer		
13	000-255	Backlight_Blue_Dimmer		
14	000-255	Backlight_White_Dimmer		
15	000-255	Backlight_Color mocro		
16	000-255	Backlight_Dimmer Intensity: Intensity 0 to 100%		
17	000-255	Backlight_Shutter, Strobe:		
18	000-255	Backlight_Macro		
19	000-255	Backlight_Macro_Speed		
20	000-255	Red		
21	000-255	Green		
22	000-255	Blue		

23	000-255	Lemon	LED2	
24	000-255	Color mocro		
25	000-255	CTO		
26	000-255	Dimmer Intensity: Intensity 0 to 100%		
27	000-255	Dimmer Fine: 0 to 100%		
28	000-255	Shutter, Strobe:		
29	000-255	Zoom: Zoom adjustment from wide to narrow		
30	000-255	Backlight_Red_Dimmer		
31	000-255	Backlight_Green_Dimmer		
32	000-255	Backlight_Blue_Dimmer		
33	000-255	Backlight_White_Dimmer		
34	000-255	Backlight_Color mocro		
35	000-255	Backlight_Dimmer Intensity: Intensity 0 to 100%		
36	000-255	Backlight_Shutter, Strobe:		
37	000-255	Backlight_Macro		
38	000-255	Backlight_Macro_Speed		
39	000-255	Red		LED3
40	000-255	Green		
41	000-255	Blue		
42	000-255	Lemon		
43	000-255	Color mocro		
44	000-255	CTO		
45	000-255	Dimmer Intensity: Intensity 0 to 100%		
46	000-255	Dimmer Fine: 0 to 100%		
47	000-255	Shutter, Strobe:		
48	000-255	Zoom: Zoom adjustment from wide to narrow		
49	000-255	Backlight_Red_Dimmer		
50	000-255	Backlight_Green_Dimmer		
51	000-255	Backlight_Blue_Dimmer		
52	000-255	Backlight_White_Dimmer		
53	000-255	Backlight_Color mocro		
54	000-255	Backlight_Dimmer Intensity: Intensity 0 to 100%		
55	000-255	Backlight_Shutter, Strobe:		
56	000-255	Backlight_Macro		
57	000-255	Backlight_Macro_Speed		
58	000-255	Red		



59	000-255	Green	LED4	
60	000-255	Blue		
61	000-255	Lemon		
62	000-255	Color mocro		
63	000-255	CTO		
64	000-255	Dimmer Intensity: Intensity 0 to 100%		
65	000-255	Dimmer Fine: 0 to 100%		
66	000-255	Shutter, Strobe:		
67	000-255	Zoom: Zoom adjustment from wide to narrow		
68	000-255	Backlight_Red_Dimmer		
69	000-255	Backlight_Green_Dimmer		
70	000-255	Backlight_Blue_Dimmer		
71	000-255	Backlight_White_Dimmer		
72	000-255	Backlight_Color mocro		
73	000-255	Backlight_Dimmer Intensity: Intensity 0 to 100%		
74	000-255	Backlight_Shutter, Strobe:		
75	000-255	Backlight_Macro		
76	000-255	Backlight_Macro_Speed		
77	000-255	Red		LED5
78	000-255	Green		
79	000-255	Blue		
80	000-255	Lemon		
81	000-255	Color mocro		
82	000-255	CTO		
83	000-255	Dimmer Intensity: Intensity 0 to 100%		
84	000-255	Dimmer Fine: 0 to 100%		
85	000-255	Shutter, Strobe:		
86	000-255	Zoom: Zoom adjustment from wide to narrow		
87	000-255	Backlight_Red_Dimmer		
88	000-255	Backlight_Green_Dimmer		
89	000-255	Backlight_Blue_Dimmer		
90	000-255	Backlight_White_Dimmer		
91	000-255	Backlight_Color mocro		
92	000-255	Backlight_Dimmer Intensity: Intensity 0 to 100%		
93	000-255	Backlight_Shutter, Strobe:		
94	000-255	Backlight_Macro		

95	000-255	Backlight_Macro_Speed	LED6
96	000-255	Red	
97	000-255	Green	
98	000-255	Blue	
99	000-255	Lemon	
100	000-255	Color mocro	
101	000-255	CTO	
102	000-255	Dimmer Intensity: Intensity 0 to 100%	
103	000-255	Dimmer Fine: 0 to 100%	
104	000-255	Shutter, Strobe:	
105	000-255	Zoom: Zoom adjustment from wide to narrow	
106	000-255	Backlight_Red_Dimmer	
107	000-255	Backlight_Green_Dimmer	
108	000-255	Backlight_Blue_Dimmer	
109	000-255	Backlight_White_Dimmer	
110	000-255	Backlight_Color mocro	
111	000-255	Backlight_Dimmer Intensity: Intensity 0 to 100%	
112	000-255	Backlight_Shutter, Strobe:	
113	000-255	Backlight_Macro	
114	000-255	Backlight_Macro_Speed	
115	000-255	Red	
116	000-255	Green	
117	000-255	Blue	
118	000-255	Lemon	
119	000-255	Color mocro	
120	000-255	CTO	
121	000-255	Dimmer Intensity: Intensity 0 to 100%	
122	000-255	Dimmer Fine: 0 to 100%	
123	000-255	Shutter, Strobe:	
124	000-255	Zoom: Zoom adjustment from wide to narrow	
125	000-255	Backlight_Red_Dimmer	
126	000-255	Backlight_Green_Dimmer	
127	000-255	Backlight_Blue_Dimmer	
128	000-255	Backlight_White_Dimmer	
129	000-255	Backlight_Color mocro	
130	000-255	Backlight_Dimmer Intensity: Intensity 0 to 100%	

131	000-255	Backlight_Shutter, Strobe:	LED8
132	000-255	Backlight_Macro	
133	000-255	Backlight_Macro_Speed	
134	000-255	Red	
135	000-255	Green	
136	000-255	Blue	
137	000-255	Lemon	
138	000-255	Color mocro	
139	000-255	CTO	
140	000-255	Dimmer Intensity: Intensity 0 to 100%	
141	000-255	Dimmer Fine: 0 to 100%	
142	000-255	Shutter, Strobe:	
143	000-255	Zoom: Zoom adjustment from wide to narrow	
144	000-255	Backlight_Red_Dimmer	
145	000-255	Backlight_Green_Dimmer	
146	000-255	Backlight_Blue_Dimmer	
147	000-255	Backlight_White_Dimmer	
148	000-255	Backlight_Color mocro	
149	000-255	Backlight_Dimmer Intensity: Intensity 0 to 100%	
150	000-255	Backlight_Shutter, Strobe:	
151	000-255	Backlight_Macro	
152	000-255	Backlight_Macro_Speed	

## **7. Error Information**

### **1. Zoom1/2/3/4/5/6/7/8Reset Error**

Check if the position of the pan mounting magnetic steel falls off or is damaged.

Check if there are other interference items in the pan operating range.

Check if the pan Hall elements is damaged.

Check if the pan Hall elements is in poor contact with the lead of the PCB board or disconnected.

Check if the pan motor is damaged.

Check if there is any damage to the circuit of the pan motor drive board.

### **2 . Base Fan1/2 Error**

Check if the fan is not running.

Check if the fan leads are installed in place or disconnected.

Check if the fan is damaged.

Check if there are other interference items in the fan operating range.

### **3. Head Fan1/2/3/4/5/6/7/8 Error**

Check if the fan is not running.

Check if the fan leads are installed in place or disconnected.

Check if the fan is damaged.

Check if there are other interference items in the fan operating range.

### **4. Base Temperature Error**

Check if the fan is not running.

Check if the fan leads are installed in place or disconnected.

Check if the temperature detecting board is normal.

Check if the components of the temperature detecting board are damaged.

Check if the lead of the temperature detecting board is installed in place or disconnected.

### **5. Temperature1/2/3/4/5/6/7/8 Error**

Check if the temperature detecting board is normal.

Check if the components of the temperature detecting board are damaged.

Check if the lead of the temperature detecting board is installed in place or disconnected.

## **8. Troubleshooting**

Following are a few common problems that may occur during operation. Here are some suggestions for easy troubleshooting:

### **A. The unit does not work, no light and the fan does not work**

1. Check the connect power.
2. Measure the mains voltage on the main connector.
3. Check the power on LED to see if it can be light up or not.

### **B. Not responding to DMX controller**

1. Check DMX connectors, cables to see if they are linked properly.
2. Check the address settings and DMX polarity..
3. If you have intermittent DMX signal problems, check the pins on connectors or on PCB of the unit or the previous one.
4. Try to use another DMX controller.
5. Check to see if the DMX cables run near or run alongside to high voltage cables that may cause damage or interference to DMX interface circuit.

### **C. One of the channels is not working well**

1. The stepper motor might be damaged or the cable connected to the PCB is broken.
2. The motor's drive IC on the PCB might be out of condition.

## **9. Fixture Cleaning**

It is absolutely essential that the fixture is kept clean to ensure the maximum light-output and allow the fixture to function reliably throughout its life. The fixture must be cleaned regularly to avoid dust, dirt and smoke-fluid residues building up on or within the fixture. The cleaning frequency depends on the application environment. Clean the fixture immediately if the dust enters it to avoid damage to the optical lens due to excessive dust.

- A soft lint-free cloth moistened with any good glass cleaning fluid is recommended, under no circumstances should solvents be used.
- Always dry the parts carefully.
- Clean the external optical lens at least every 20 days and the internal optical lens every 30 days.





**Innovation, Quality, Performance**