

STAGE BLINDER IP™

BL-200 CW/WW2 /VW /RGBW

FEATURES

- Adjustable color temperature (VW)
- Unique tungsten effect (WW2)
- Unique hsic mode (RGBW)
- Smooth dimming from 0-100%
- Super bright and outstanding strobe effect with variable speed
- Equipped with a special patented plug structure, can be easily combined with each other or with other BL200 series



TECHNICAL SPECIFICATIONS

Specifications

- Light Source:
 - CW: 2 x 110 W cool white LED
 - VW/WW2: 2 x 125 W LED module
 - RGBW: 2 x 150 W LED module
- Color Temperature:
 - WW2: 2,700 K / Tungsten Mode: 1,200 K
 - CW: 5,000±300 K
 - VW: 2,700-6500 K
- Angle:
 - Beam Angle: CW: 50°
 - Beam Angle: VW/WW2: 50°
 - Field Angle: VW/WW2: 90°
 - Beam Angle: RGBW: 37°

Control

- DMX channel:
 - CW/WW2: 1/2/4/6 channels
 - VW: 3/4/4CHR/5/6 channels
 - RGBW: 6/7/10/4(HSIC) channels
- Protocols: DMX512,RDM
- Firmware Upgrade via DMX link

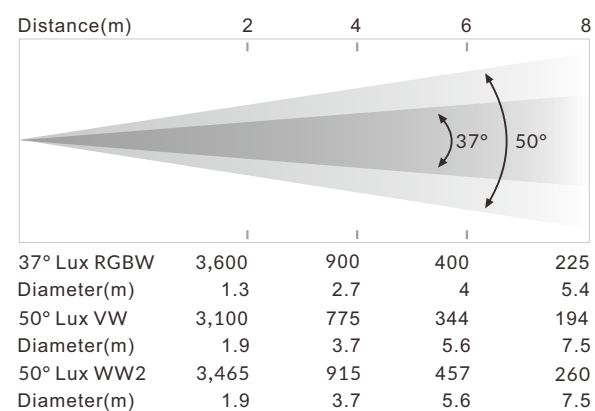
Construction

- Display: LED display
- Data In/Out: 3-pin or 5-pin IP XLR
- Power In/Out: Waterproof Power Connector in/out
- Protection Rating: IPX4

Electrical and Physical

- Input Voltage Range: AC 100-240V, 50/60Hz
- Power Consumption: 235 W
- Dimensions: 400 x 215 x 200mm (15.7" x 8.4" x 7.8")
- F/C Dimensions: 1,245 x 570 x 648 mm (49" x 22.4" x 25.5")
- Weight: 6.8 kg (14.9 lbs)
- 96.4 kg (212.5 lbs)(Eight-pack Loader Case)

PHOTOMETRICS DIAGRAM



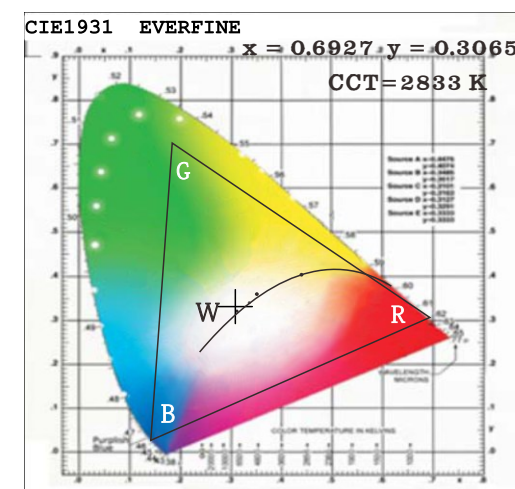
JOINT SCHEMATICS



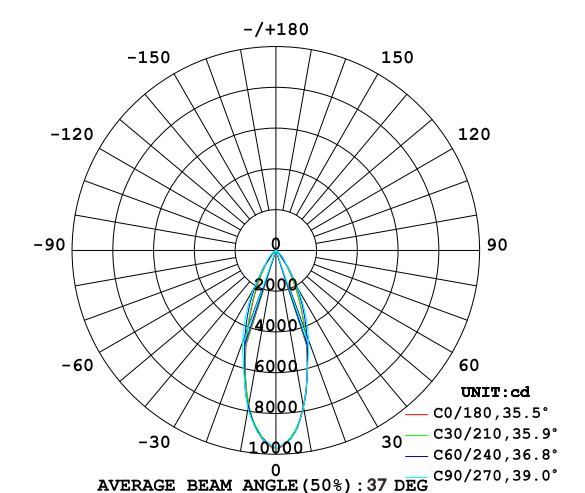
TWO ADJUSTABLE ANGLES FOR LED MODULE:
 ① 0, 7.5, 15
 ② 0, -7.5, -15

LIGHT QUALITY PARAMETER

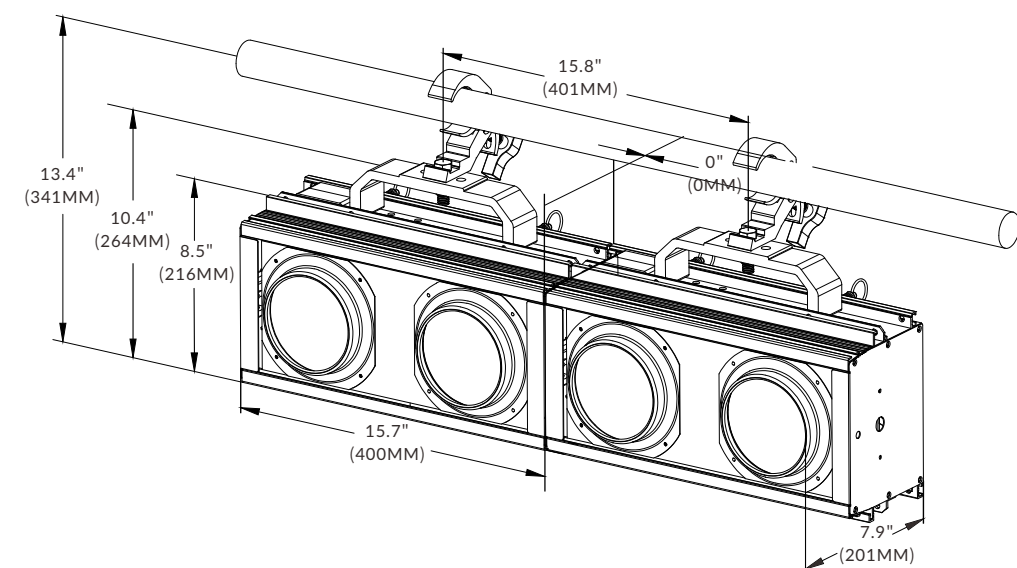
CIE1931 CHROMATICITY COORDINATES(BIG ANGLE)



LUMINOUS INTENSITY DISTRIBUTION DIAGRAM



DIMENSIONS mm (in.)



CONCERT / TOURING

CONCERT / TOURING