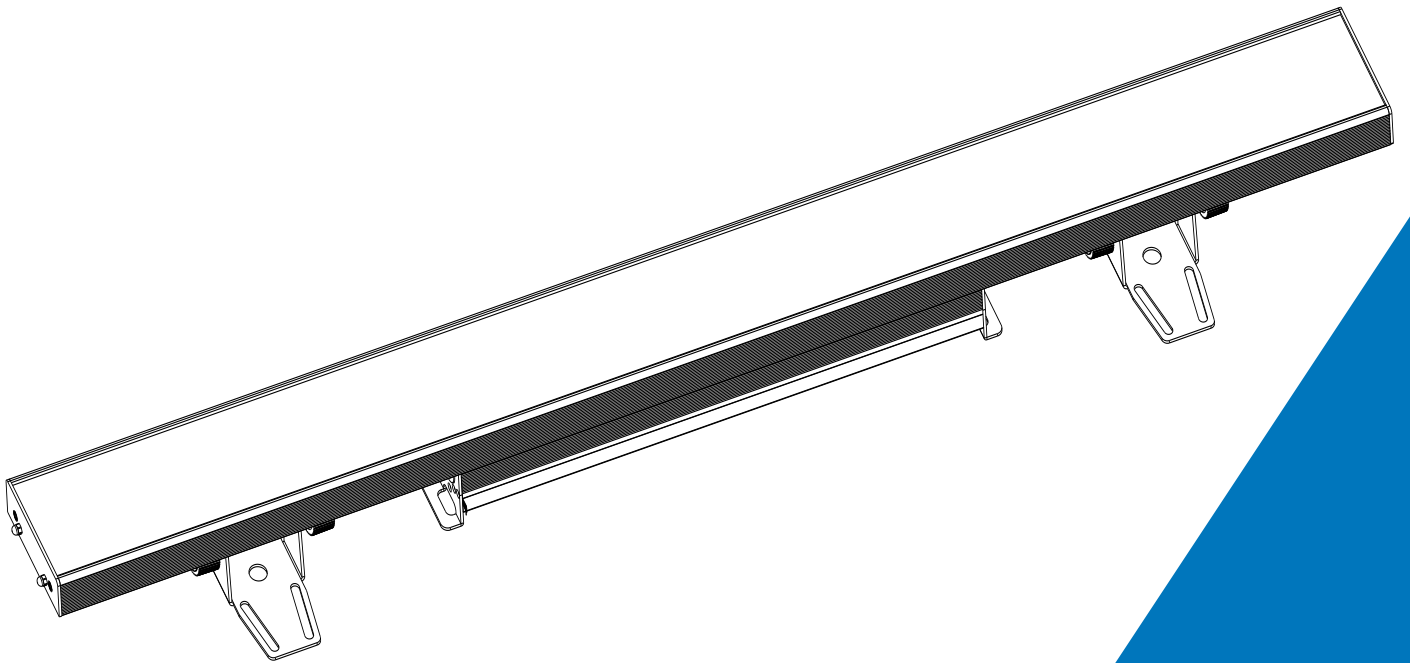




FLASHDOT



User Manual

Please read the instruction carefully before use

CONTENTS

1. Safety Instructions	2
2. Technical Specifications.....	4
3. Control Panel	5
4. How To Set The Unit.....	6
4.1 Main Function	6
4.2 Home Position Adjustment.....	7
5. Control By Universal DMX Controller.....	13
5.1 DMX512 Connection	13
5.2 Address Setting	14
5.3 DMX512 Configuration.....	14
6. Error Information	26
7. Troubleshooting	27
8. Fixture Cleaning	27

1. Safety Instructions



Please read the instruction carefully which includes important information about the installation, usage and maintenance.

WARNING

Please keep this User Guide for future consultation. If you sell the unit to another user, be sure that they also receive this instruction manual.

Important:

Damages caused by the disregard of this user manual are not subject to warranty. The dealer will not accept liability for any resulting defects or problems.

- Unpack and check carefully that there is no transportation damage before using the unit.
- This product is for indoor use only.
- DO install and operate by qualified operator.
- DO NOT allow children to operate the fixture.
- Use safety chain when fixing the unit. Handle the unit by carrying its base instead of head only.
- The unit must be installed in a location with adequate ventilation, at least 50cm from adjacent surfaces.
- Be sure that no ventilation slots are blocked, otherwise the unit will be overheated.
- Before operating, ensure that the voltage and frequency of power supply match the power requirements of the unit.
- It's important to ground the yellow/green conductor to earth in order to avoid electric shock.
- Minimum ambient temperature TA: 0°C. Maximum ambient temperature TA: 40°C.
- DO NOT connect the device to any dimmer pack.
- Make sure there are no flammable materials close to the unit while operating to avoid fire hazard.
- Examine the power wires carefully; replace them immediately if there is any damage.
- Unit's surface temperature may reach up to 75°C. DO NOT touch the housing bare-handed during its operation.
- Avoid any inflammable liquids, water or metal objects entering the unit. Once it happens, cut off the mains power immediately.
- DO NOT operate in dirty or dusty environment, do clean fixtures regularly.

- DO NOT touch any wire during operation as there might be a hazard of electric shock.
- Avoid power wires together twist other cables.
- The minimum distance between light output and the illuminated surface must be more than 0.5 meters.
- In the event of serious operating problem, stop using the unit immediately.
- Never turn on and off the unit time after time.
- The housing, the lenses, or the ultraviolet filter must be replaced if they are visibly damaged.
- DO NOT open the unit as there are no user serviceable parts inside.
- Never try to repair the unit by yourself. Repairs carried out by unskilled people can lead to damage or malfunction. Please contact the nearest authorized technical assistance center if needed.
- Disconnect the mains power if the fixture is has not been used for a long time.
- DO use the original packing materials before transporting it again.
- DO NOT look directly at the light while the bulb is on.
- DO NOT start on the unit without bulb enclosure or when housing is damaged.

Installation:

The fixture should be mounted via its Omega Quick Release Clamp bracket. Always ensure that the unit is firmly fixed to avoid vibration and slipping while operating and make sure that the structure to which you are attaching the unit is secure and is able to support a weight of 10 times of the fixtures weight. Always use a safety cable that can hold 12 times of the weight of the fixture when installing.

The equipment must be installed by professionals. It must be installed in a place where is out of the reach of people and no one can pass by or under it.

2. Technical Specifications

Power Voltage:

100-240V~ 50/60Hz

Power Consumption:

350W

Light Source:

Colored Light: 672*0.3W RGB

White Light: 112*3W CW

Beam Angle:

116°

Dimmer/Shutter:

Smooth dimming from 0-100%; outstanding strobe effect with variable speed **Control:**

DMX Channel: 6CH/13CH/18CH/36CH/112CH/16/32/64/14/20Channels

Protocols: DMX512, RDM

Firmware Upgrade via DMX link

Construction:

Display: OLED

Data In/Out: 3-pin (5-pin XLR is optional)

Power In/Out: Power Connector in/out

Protection Rating: IP20

Features:

32 x RGB led zones can be controlled

individually

16 x CW led zones can be controlled

individually

Outstanding mixing color effect

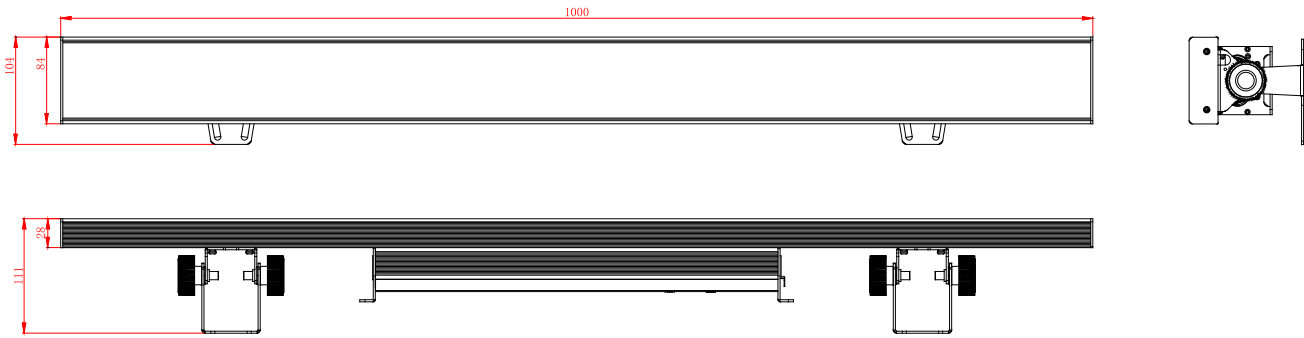
Outstanding strobe effect with variable speed

Smooth dimming from 0-100%

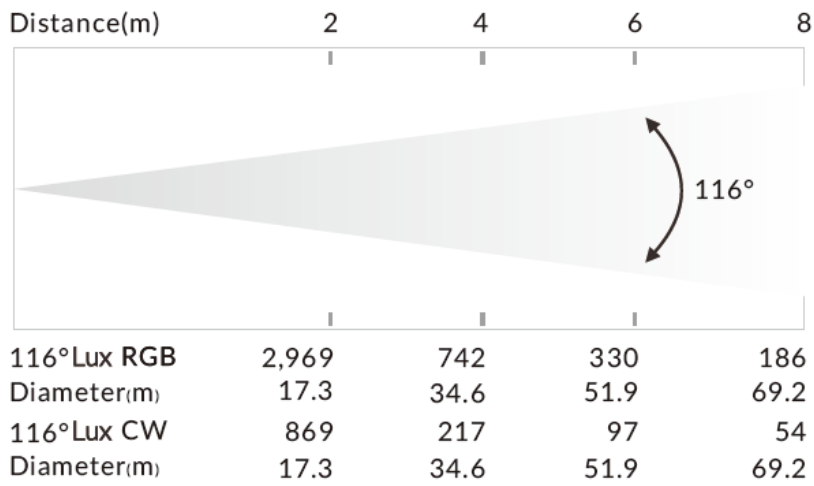
Double mounting brackets design and the adjustable angle reaches 180 degrees in both direction

Dimension/Weight:

39.4"x3.3"x4.1" in, 8.8lbs

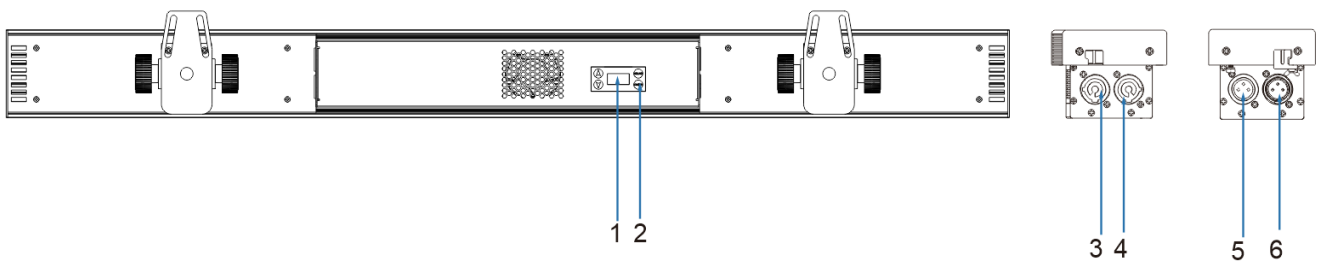


Photometrics Diagram:



3. Control Panel

POWERCON Version:



1. DISPLAY: To show the various menus and the selected function

2. Button:

MENU	To enter into move backward or leave the menu
▲ UP	To go backward to move up in the menu
▼ DOWN	To go forward to move down in the menu
ENTER	To perform the desired functions

3. POWER IN(POWERCON Version):

To connect to supply power

4. POWER OUT(POWERCON Version):

To connect to the next fixture

5. DMX IN:

DMX512 link, use 3-pin XLR cable to link the unit and DMX controller (5-pin XLR is optional)

6. DMX OUT:

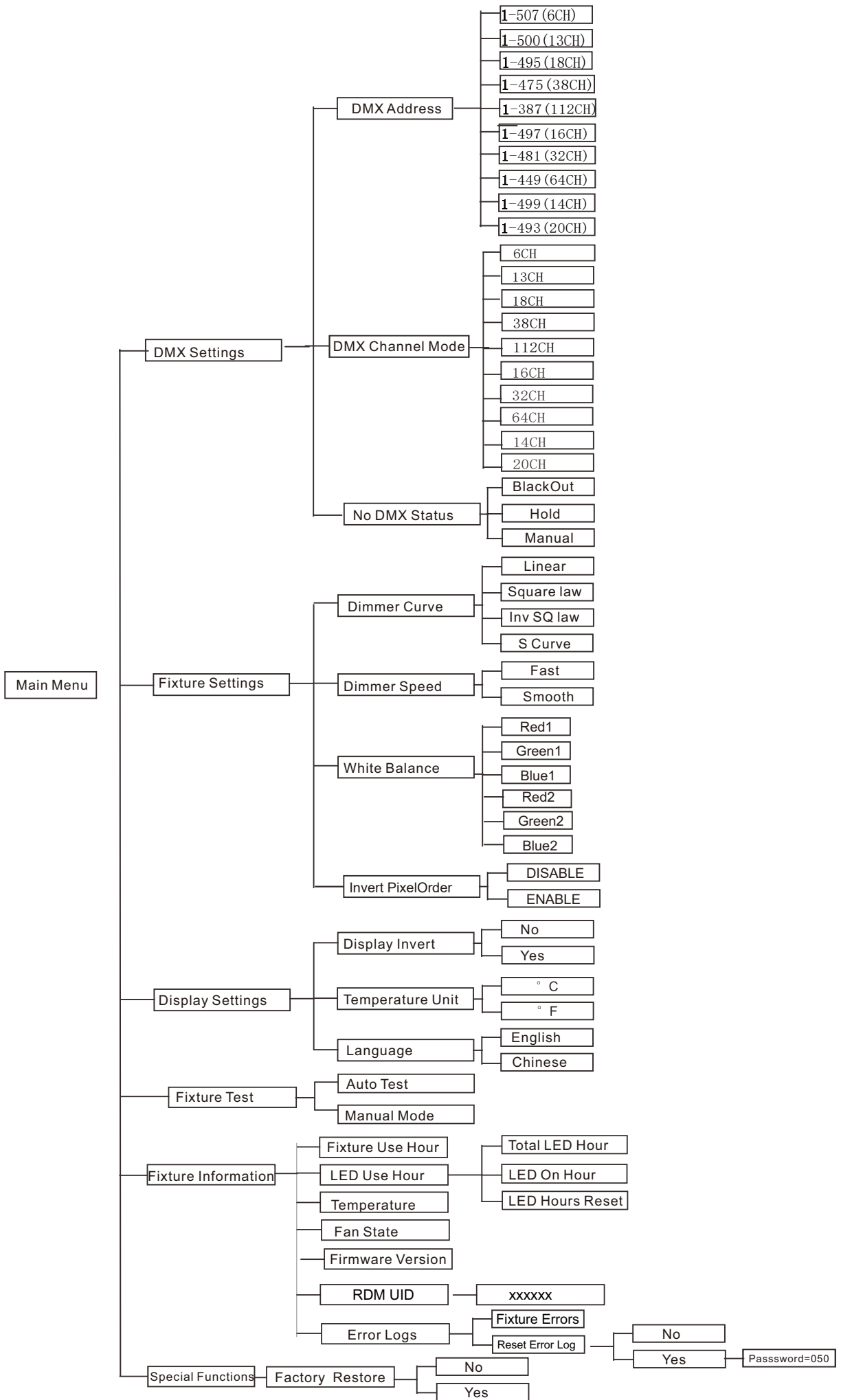
DMX 512 operation, use 3-pin XLR cable to link the next units (5-pin XLR is optional)

4. How To Set The Unit

4.1 Main Function

Turn on the unit, press the MENU button into menu mode, and press the UP/DOWN button until the required function is shown on the monitor. Select the function by the ENTER button. Use the UP/DOWN button to choose the submenu, press the ENTER button to store and automatically return to the last menu. Press the MENU button or let the unit idle One Minute to exit menu mode.

The main functions are shown below:



DMX Settings

To select **DMX Settings**, press the **ENTER** button to confirm, use the **UP/DOWN** button to select **DMX Address, DMX Channel Mode, No DMX Status** or **View DMX Value**.

DMX Address

To select **DMX Address**, press the **ENTER** button to confirm. Use the **UP/DOWN** button to adjust the address from **001** to **507/387**, press the **ENTER** button to store. Press the **MENU** button back to the last menu or let the unit idle One Minute to exit menu mode.

DMX Channel Mode

To select **DMX Channel Mode**, press the **ENTER** button to confirm. Use the **UP/DOWN** button to select **6CH/13CH/18/38CH/112CH/16CH/32CH/64CH/14CH/20CH**, press the **ENTER** button to store. Press the **MENU** button back to the last menu or let the unit idle 30 seconds to exit menu mode.

No DMX Status

To select **No DMX Status**, press the **ENTER** button to confirm. Use the **UP/DOWN** button to select **BlackOut**(fixture blacks out if DMX signal stops) , **Hold**(fixture continues to obey the last command it received Via DMX if DMX signal stops)or **Manual**((When DMX signal is disconnected, the device runs in manual mode), press the **ENTER** button to store. Press the **MENU** button back to the last menu or let the unit idle 30 seconds to exit menu mode.

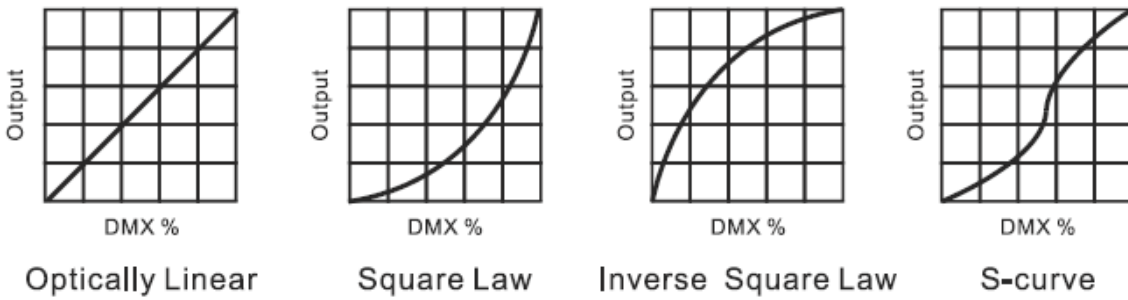
Fixture Settings

To select **Fixture Settings**, press the **ENTER** button to confirm, use the **UP/DOWN** button to select **Dimmer Curve,Dimmes Speed** or**White Balance**.

Dimming curve

To select **Dimming Curve** and press the **ENTER** button to confirm. Use the **UP/DOWN** button to select linear, square rate, inverse square rate or S curve. After selecting the desired mode, press the **ENTER** button to set and save. Press the **MENU** button to return, or wait one minute to return to the main menu.

Dimmer Modes



Linearity: As the DMX value increases, the increase in light intensity tends to be linear

Square Rate: when the light intensity is controlled at a low value, the lines are finer, and at high values, the lines are thicker; inverse square rate: when the light intensity is controlled at a low value, the lines are thicker, and when the light intensity is controlled at a high value, the lines are thinner;

S-Curve: The line is finer when the light intensity is controlled at low and high values, and the line is thicker at the middle value.

Dimming Speed

To select **Dimming speed** and press the ENTER button to confirm. The current mode will be displayed on the display. Use the **UP/DOWN** buttons to select: fast or smooth, press the ENTER button to save. Press the **MENU** button to return to the previous menu or wait one minute to automatically exit the menu mode.

White Balance:

To select **White Balance**, press the ENTER button to confirm, the current mode will be displayed on the display, and use the **UP/DOWN** buttons to select: **Red1, Green1, Blue1 , Red2, Green2, Blue2**, and press the ENTER button to save. Press the **MENU** button to return to the previous menu or wait one minute to automatically exit the menu mode.

Invert PixelOrder:

To select **Invert PixelOrder**, press the ENTER button to confirm, the current mode will be displayed on the display, and use the **UP/DOWN** buttons to select: **DISABLE** and **ENABLE**, press the ENTER button to save. Press the **MENU** button to go back to the previous **MENU** or wait 30 seconds to automatically exit **MENU** mode.

Display Settings

Enter the **MENU** mode, To select **Display Settings**, press the ENTER button to confirm, and use **UP/DOWN** to select: **Display Inversion, Temperature unit, Display Warning** or **Device Language**.

Display Inversion

To select **Display Inversion**, press the **ENTER** button to confirm, the current mode will be displayed on the display, use the **UP/DOWN** button to select: **No** or **Yes**, press the **ENTER** button to save. Press the **MENU** button to return to the previous menu or wait one minute to automatically exit the menu mode.

Display Invert

To select **Display Invert**, press the **ENTER** button to confirm. Use the **UP/DOWN** button to select **No**(normal display) or **Yes**(invert display), press the **ENTER** button to store. Press the **MENU** button to return to the previous menu or wait one minute to automatically exit the menu mode.

Temperature Unit

To select **Temperature Unit**, press the **ENTER** button to confirm. Use the **UP/DOWN** button to select $^{\circ}\text{C}$ or $^{\circ}\text{F}$, press the **ENTER** button to store. Press the **MENU** button to return to the previous menu or wait one minute to automatically exit the menu mode.

Language

To select **Language**, press the **ENTER** button to confirm. Use the **UP/DOWN** button to select **English** or **Chinese**, press the **ENTER** button to store. Press the **MENU** button to return to the previous menu or wait one minute to automatically exit the menu mode.

Fixture Test

To select **Fixture Test**, press the **ENTER** button to confirm, use the **UP/DOWN** button to select **Auto Test** or **Manual Test**.

Auto Test

To select **Auto Test**, press the **ENTER** button to confirm, the unit will run built-in programs to automatically test pan, tilt, P/T speed, color, gobo, prism, prism2, rprism, shutter, dimmer, focus, frost and spe. func. Press the **MENU** button to return to the previous menu or wait one minute to automatically exit the menu mode.

Manual Test

To select **Manual Test**, press the **ENTER** button to confirm, the present channel will show on the display, use the **UP/DOWN** button to select channel, press the **ENTER** button to confirm, then use the **UP/DOWN** button to adjust the value, press the **ENTER** button to store, the fixture will run as the channel value indicates. Press the **MENU** button to return to the previous menu or wait one minute to automatically exit the menu mode.

(All channels value will become 0 after exiting Manual Test menu)

Fixture Information

To select **Fixture Information**, press the **ENTER** button to confirm, use the **UP/DOWN** button to select **Fixture Use Hour, LED Use Hour, Temperature, Fan State, Firmware Version** or **Error Logs**.

Fixture Use Hour

To select **Fixture Use Hour**, press the **ENTER** button to confirm, fixture use hour will show on the display, press the **MENU** button to exit.

LED Use Hour

To select **LED Use Hour**, press the **ENTER** button to confirm and lamp use time in **Total LED Hours, LED On Hour** or **LED Hour Reset**. can be viewed, press the **ENTER** button to confirm. Press the **MENU** button to return to the previous menu or wait one minute to automatically exit the menu mode.

To select **Total LED Hours**, press the **ENTER** button to confirm, the total number of LED hours will be displayed on the screen, press the **MENU** button to exit. Select the **LED On Time**, press the **ENTER** button to confirm, the LED on time will be displayed on the screen, press the **MENU** button to exit. Select **LED Hour Reset**, press **ENTER** button to confirm, use **UP/DOWN** button to set password **050** to reset LED time, press **ENTER** button to save, Press the **MENU** button to return to the previous menu or wait one minute to automatically exit the menu mode.

Temperature

To select **Temperature**, press the **ENTER** button to confirm, fixture temperature will show on the

display, press the **MENU** button to exit.

Fan State

To select **Fan State** , press the **ENTER** button to confirm, firmware version will show on the display, press the **MENU** button back to exit.

Firmware Version

To select **Firmware Version**, press the **ENTER** button to confirm, firmware version will show on the display, press the **MENU** button back to exit.

Error Logs

To select **Error Logs**, press the **ENTER** button to confirm. Use the **UP/DOWN** button to select **Fixture Errors** or **Reset Error Log**, press the **ENTER** button to store. To select **Reset Error Log**, press the **ENTER** button to confirm, use the **UP/DOWN** button to select **No** or **Yes**, press the **ENTER** button to store. To select **Yes**, press the **ENTER** button to confirm, use the **UP/DOWN** button to set the password **050**, Press the **MENU** button to return to the previous menu or wait one minute to automatically exit the menu mode.

Special Function

To select ***Special Function***, press the **ENTER** button to confirm and lamp use time in **Factory Settings** can be viewed, press the **ENTER** button to confirm. Press the **MENU** button to return to the previous menu or wait one minute to automatically exit the menu mode.

Factory Settings

To select **Factory Settings**, press the **ENTER** button to confirm, use the **UP/DOWN** button to select **No**(normal) or **Yes**(the fixture will reset to factory settings), Press the **MENU** button to return to the previous menu or wait one minute to automatically exit the menu mode.

RDM FUNCTIONS

Select the MANUFACTURER menu to display the manufacturer of the fixture.

Select the SOFTWARE VERSION menu and the program version number of the fixture will be displayed.

Select the DMX START ADDRESS menu to change the DMX 512 address (001-507).

Select the DEVICE MODEL DESCRIPTION menu to display the model of the fixture.

Select the DEVICE LABEL menu to change the model of the fixture.

Select the DMX PERSONALITY menu to set the channel mode of the fixture (6CH/13CH/18/38CH/112CH/16CH/32CH/64/14/20 channel).

Select the DMX PERSONALITY DESCRIPTION menu to display the current channel mode of the fixture.

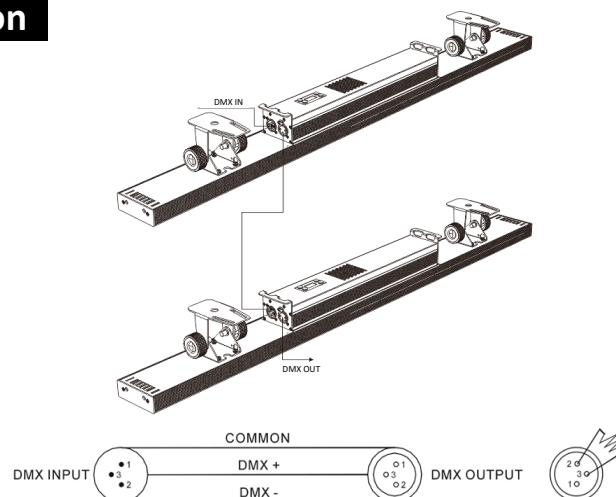
Select the DEVICE HOURS menu to display the running time of the fixture.

Select the RESET DEVICE menu, the WARM RESET/COLD RESET option will be displayed.

When WARM RESET is selected, the fixture will start a warm reset, and exit when COLD RESET is selected.

5. Control By Universal DMX Controller

5.1 DMX512 Connection



1. At last unit, the DMX cable has to be terminated with a terminator. Solder a 120-ohm 1/4W resistor between pin 2(DMX-) and pin 3(DMX+) into a 3-pin XLR-plug and plug it in the DMX-output of the last unit.
2. Connect the unit together in a “daisy chain” by XLR plug cable from the output of the unit to the input of the next unit. The cable cannot be branched or split to a “Y” cable. DMX 512 is a very high-speed signal. Inadequate or damaged cables, soldered joints or corroded connectors can easily

distort the signal and shut down the system.

3. The DMX output and input connectors are pass-through to maintain the DMX circuit, when one of the units' power is disconnected.
4. Each lighting unit needs to have a DMX address to receive the data by the controller. The address number is between 1-508.
5. The end of the DMX 512 system should be terminated to reduce signal errors.
6. 3 pin XLR connectors are more popular than 5 pins XLR.

3 pin XLR: Pin 1: GND, Pin 2: Negative signal (-), Pin 3: Positive signal (+)

5 pin XLR: Pin 1: GND, Pin 2: Negative signal (-), Pin 3: Positive signal (+), Pin4, Pin5 not used.

5.2 Address Setting

If you use a universal DMX controller to control the units, you have to set DMX address from 1 to 512 so that the units can receive DMX signal.

Press the MENU button to enter menu mode, select DMX Settings, press the ENTER button to confirm, use the UP/DOWN button to select DMX Address, press the ENTER button to confirm, the present address will blink on the display, use the UP/DOWN button to adjust the address from 001 to 512, press the ENTER button to store. Press the MENU button back to the last menu or let the unit idle one minute to exit menu mode.

Please refer to the following diagram to address your DMX512 channel for the first 4 units.

Channel mode	Unit 1 Address	Unit 2 Address	Unit 3 Address	Unit 4 Address
6 channels	1	7	13	19
13 channels	1	14	27	40
18channels	1	19	37	55
38channels	1	39	77	115
112 channels	1	113	225	337
16channels	1	17	35	53
32channels	1	33	65	97
64 channels	1	65	130	195
14 channels	1	15	29	43
20channels	1	21	41	61

5.3 DMX512 Configuration

Please refer to below configurations to control the fixtures **Attentions:**

1. The unit will maintain the last condition until reset if you cut-off the DMX signal.
2. For the channel Function, keep the value for about Five seconds, then the corresponding function will take into effect.

6channel	value	function
1	000-255	Red
2	000-255	Green
3	000-255	Blue
4	000-255	White
5	000-255	Dimmer Intensity: Intensity 0 to 100%
6	000-255	Dimmer Fine: 0 to 100%

13channel	value	function
1	000-255	Red
2	000-255	Green
3	000-255	Blue
4	000-255	White
5	000-255	Color macro
6	000-255	Dimmer Intensity: Intensity 0 to 100%
7	000-255	Dimmer Fine: 0 to 100%
8	0-255	Strobe Duration
9	0-6	Blackout
	7-255	Strobe Rate
10	0-5	No effect
	6-50	Ramp up
	51-100	Ramp down
	101-150	Ramp up-down
	151-200	Lightning
11	201-255	Random
		Macro
	0-22	No function
	23-31	Macro1

12	247-255	Macro26
		Macro
	0-91	No function
	92-106	Macro1

13	241-255	Macro11
	0-255	Macro_Speed

18channel	value	function
1	000-255	Red
2	000-255	Green
3	000-255	Blue
4	000-255	Color
5	000-255	Dimmer Intensity: Intensity 0 to 100%
6	000-255	Dimmer Fine: 0 to 100%
7	0-255	Strobe Duration
8	0-6	Blackout
	7-255	Strobe Rate
9	0-5	No effect
	6-50	Ramp up
	51-100	Ramp down
	101-150	Ramp up-down
	151-200	Lightning
	201-255	Random
10		Macro
	0-22	No function
	23-31	Macro1

	247-255	Macro26
11	0-255	Macro_Speed
12	000-255	Dimmer Intensity: Intensity 0 to 100%
13	000-255	Dimmer Fine: 0 to 100%
14	0-255	Strobe Duration
15	0-6	Blackout
	7-255	Strobe Rate
16	0-5	No effect
	6-50	Ramp up
	51-100	Ramp down
	101-150	Ramp up-down
	151-200	Lightning
	201-255	Random
17		Macro
	0-91	No function
	92-106	Macro1

	241-255	Macro11
18	0-255	Macro_Speed

LED Zoning map:

RGB1	RGB2	RGB3	RGB4
W1	W2	W3	W4
RGB5	RGB6	RGB7	RGB8

38channel	value	function
1	000-255	Red1
2	000-255	Green1
3	000-255	Blue1
4	000-255	Red2
5	000-255	Green2
6	000-255	Blue2
7	000-255	Red3
8	000-255	Green3
9	000-255	Blue3
10	000-255	Red4
11	000-255	Green4
12	000-255	Blue4
13	000-255	Red5
14	000-255	Green5
15	000-255	Blue5
16	000-255	Red6
17	000-255	Green6
18	000-255	Blue6
19	000-255	Red7
20	000-255	Green7
21	000-255	Blue7
22	000-255	Red8
23	000-255	Green8
24	000-255	Blue8
25	000-255	Dimmer Intensity: Intensity 0 to 100%
26	000-255	Dimmer Fine: 0 to 100%
27	0-255	Strobe Duration
28	0-6	Blackout
	7-255	Strobe Rate
29	0-5	No effect
	6-50	Ramp up
	51-100	Ramp down
	101-150	Ramp up-down
	151-200	Lightning
	201-255	Random

30	000-255	White1
31	000-255	White2
32	000-255	White3
33	000-255	White4
34	000-255	Dimmer Intensity: Intensity 0 to 100%
35	000-255	Dimmer Fine: 0 to 100%
36	0-255	Strobe Duration
37	0-6	Blackout
	7-255	Strobe Rate
38	0-5	No effect
	6-50	Ramp up
	51-100	Ramp down
	101-150	Ramp up-down
	151-200	Lightning
	201-255	Random

112channel	value	function
1	000-255	Red1
2	000-255	Green1
3	000-255	Blue1
4	000-255	Red2
5	000-255	Green2
6	000-255	Blue2
7	000-255	Red3
8	000-255	Green3
9	000-255	Blue3
10	000-255	Red4
11	000-255	Green4
12	000-255	Blue4
13	000-255	Red5
14	000-255	Green5
15	000-255	Blue5
16	000-255	Red6
17	000-255	Green6
18	000-255	Blue6
19	000-255	Red7
20	000-255	Green7
21	000-255	Blue7
22	000-255	Red8
23	000-255	Green8
24	000-255	Blue8
25	000-255	Red9
26	000-255	Green9
27	000-255	Blue9

28	000-255	Red10
29	000-255	Green10
30	000-255	Blue10
31	000-255	Red11
32	000-255	Green11
33	000-255	Blue11
34	000-255	Red12
35	000-255	Green12
36	000-255	Blue12
37	000-255	Red13
38	000-255	Green13
39	000-255	Blue13
40	000-255	Red14
41	000-255	Green14
42	000-255	Blue14
43	000-255	Red15
44	000-255	Green15
45	000-255	Blue15
46	000-255	Red16
47	000-255	Green16
48	000-255	Blue16
49	000-255	Red17
50	000-255	Green17
51	000-255	Blue17
52	000-255	Red18
53	000-255	Green18
54	000-255	Blue18
55	000-255	Red19
56	000-255	Green19
57	000-255	Blue19
58	000-255	Red20
59	000-255	Green20
60	000-255	Blue20
61	000-255	Red21
62	000-255	Green21
63	000-255	Blue21
64	000-255	Red22
65	000-255	Green22
66	000-255	Blue22
67	000-255	Red23
68	000-255	Green23
69	000-255	Blue23
70	000-255	Red24

71	000-255	Green24
72	000-255	Blue24
73	000-255	Red25
74	000-255	Green25
75	000-255	Blue25
76	000-255	Red26
77	000-255	Green26
78	000-255	Blue26
79	000-255	Red27
80	000-255	Green27
81	000-255	Blue27
82	000-255	Red28
83	000-255	Green28
84	000-255	Blue28
85	000-255	Red29
86	000-255	Green29
87	000-255	Blue29
88	000-255	Red30
89	000-255	Green30
90	000-255	Blue30
91	000-255	Red31
92	000-255	Green31
93	000-255	Blue31
94	000-255	Red32
95	000-255	Green32
96	000-255	Blue32
97	000-255	White1
98	000-255	White2
99	000-255	White3
100	000-255	White4
101	000-255	White5
102	000-255	White6
103	000-255	White7
104	000-255	White8
105	000-255	White9
106	000-255	White10
107	000-255	White11
108	000-255	White12
109	000-255	White13
110	000-255	White14
111	000-255	White15
112	000-255	White16

16channel	value	function
1	000-255	Red1
2	000-255	Green1
3	000-255	Blue1
4	000-255	Red2
5	000-255	Green2
6	000-255	Blue2
7	000-255	Red3
8	000-255	Green3
9	000-255	Blue3
10	000-255	Red4
11	000-255	Green4
12	000-255	Blue4
13	000-255	White1
14	000-255	White2
15	000-255	White3
16	000-255	White4

32channel	value	function
1	000-255	Red1
2	000-255	Green1
3	000-255	Blue1
4	000-255	Red2
5	000-255	Green2
6	000-255	Blue2
7	000-255	Red3
8	000-255	Green3
9	000-255	Blue3
10	000-255	Red4
11	000-255	Green4
12	000-255	Blue4
13	000-255	Red5
14	000-255	Green5
15	000-255	Blue5
16	000-255	Red6
17	000-255	Green6
18	000-255	Blue6
19	000-255	Red7
20	000-255	Green7
21	000-255	Blue7
22	000-255	Red8
23	000-255	Green8
24	000-255	Blue8

25	000-255	White1
26	000-255	White2
27	000-255	White3
28	000-255	White4
29	000-255	White5
30	000-255	White6
31	000-255	White7
32	000-255	White8

64channel	value	function
1	000-255	Red1
2	000-255	Green1
3	000-255	Blue1
4	000-255	Red2
5	000-255	Green2
6	000-255	Blue2
7	000-255	Red3
8	000-255	Green3
9	000-255	Blue3
10	000-255	Red4
11	000-255	Green4
12	000-255	Blue4
13	000-255	Red5
14	000-255	Green5
15	000-255	Blue5
16	000-255	Red6
17	000-255	Green6
18	000-255	Blue6
19	000-255	Red7
20	000-255	Green7
21	000-255	Blue7
22	000-255	Red8
23	000-255	Green8
24	000-255	Blue8
25	000-255	Red9
26	000-255	Green9
27	000-255	Blue9
28	000-255	Red10
29	000-255	Green10
30	000-255	Blue10
31	000-255	Red11
32	000-255	Green11

33	000-255	Blue11
34	000-255	Red12
35	000-255	Green12
36	000-255	Blue12
37	000-255	Red13
38	000-255	Green13
39	000-255	Blue13
40	000-255	Red14
41	000-255	Green14
42	000-255	Blue14
43	000-255	Red15
44	000-255	Green15
45	000-255	Blue15
46	000-255	Red16
47	000-255	Green16
48	000-255	Blue16
49	000-255	White1
50	000-255	White2
51	000-255	White3
52	000-255	White4
53	000-255	White5
54	000-255	White6
55	000-255	White7
56	000-255	White8
57	000-255	White9
58	000-255	White10
59	000-255	White11
60	000-255	White12
61	000-255	White13
62	000-255	White14
63	000-255	White15
64	000-255	White16

14channel	value	function
1	000-255	Red
2	000-255	Green
3	000-255	Blue
4	000-255	White
5	000-255	Color macro
6	000-255	Dimmer Intensity: Intensity 0 to 100%
7	000-255	Dimmer Fine: 0 to 100%
8	0-255	Strobe Duration
9	0-6	Blackout
	7-255	Strobe Rate
10	0-5	No effect
	6-50	Ramp up
	51-100	Ramp down
	101-150	Ramp up-down
	151-200	Lightning
	201-255	Random
11		Macro
	0-22	No function
	23-31	Macro1

	247-255	Macro26
12		Macro
	0-91	No function
	92-106	Macro1

	241-255	Macro11
13	0-255	Macro_Speed
14	0-255	Fade

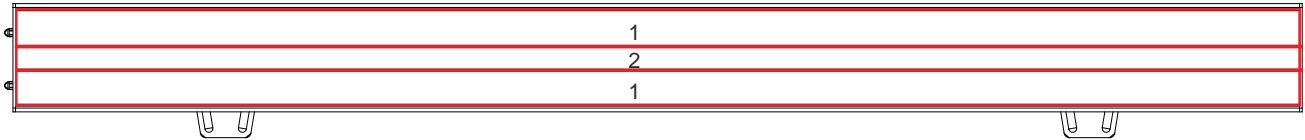
20channel	value	function
1	000-255	Red
2	000-255	Green
3	000-255	Blue
4	000-255	Color
5	000-255	Dimmer Intensity: Intensity 0 to 100%
6	000-255	Dimmer Fine: 0 to 100%
7	0-255	Strobe Duration
8	0-6	Blackout
	7-255	Strobe Rate
9	0-5	No effect
	6-50	Ramp up
	51-100	Ramp down
	101-150	Ramp up-down
	151-200	Lightning
	201-255	Random
10		Macro
	0-22	No function
	23-31	Macro1

	247-255	Macro26
11	0-255	Macro_Speed
12	0-255	RGB_Fade
13	000-255	Dimmer Intensity: Intensity 0 to 100%
14	000-255	Dimmer Fine: 0 to 100%
15	0-255	Strobe Duration
16	0-6	Blackout
	7-255	Strobe Rate
17	0-5	No effect
	6-50	Ramp up
	51-100	Ramp down
	101-150	Ramp up-down
	151-200	Lightning
	201-255	Random
18		Macro
	0-91	No function
	92-106	Macro1

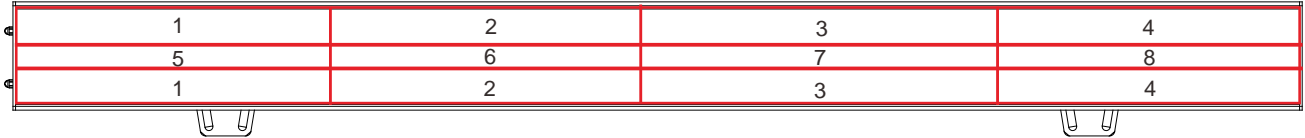
	241-255	Macro11
19	0-255	Macro_Speed
20	0-255	White Fade

LED Zoning map:

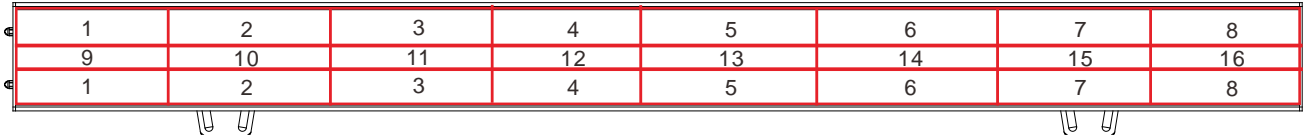
6/14/20CH



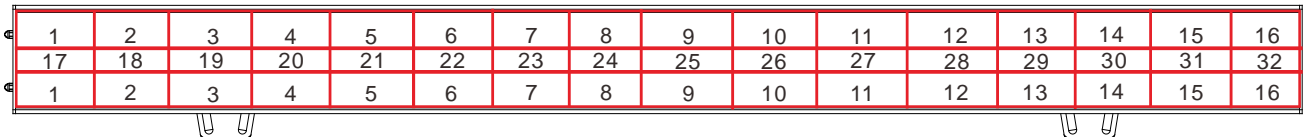
16CH



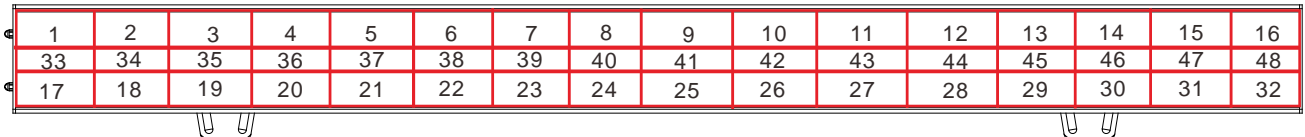
32CH



64CH



112CH



6. rror Information

LED Fan Error

Check if the fan is not running.

Check if the fan leads are installed in place or disconnected.

Check if the fan is damaged.

Check if there are other interference items in the fan operating range. Check if the fan circuit on the motherboard breaks down.

Check if the component is damaged.

Check if the fan is out of order.

Temperature Error

Check if the temperature detecting board is normal.

Check if the components of the temperature detecting board are damaged.

Check if the lead of the temperature detecting board is installed in place or disconnected.

7. Troubleshooting

Following are a few common problems that may occur during operation. Here are some suggestions for easy troubleshooting:

A. The unit does not work, no light and the fan does not work

1. Check the connect power.
2. Measure the mains voltage on the main connector.
3. Check the power on LED to see if it can be light up or not.

B. Not responding to DMX controller

1. check DMX connectors, cables to see if they are linked properly.
2. check the address settings and DMX polarity.
3. check the pins on connectors or on PCB of the unit or the previous one.
4. Try to use another DMX controller.
5. Check to see if the DMX cables run near or run alongside to high voltage cables that may cause damage or interference to DMX interface circuit.

C. One of the channels is not working well

1. The stepper motor might be damaged or the cable connected to the PCB is broken.
2. The motor's drive IC on the PCB might be out of condition.

8. Fixture Cleaning

The cleaning of internal and external optical lenses and/or mirrors must be carried out periodically to optimize light output. Cleaning frequency depends on the environment in which the fixture operates: damp, smoky or particularly dirty surrounding can cause greater accumulation of dirt on the unit's optics.

- Clean with soft cloth and use normal glass to clean liquid.
- Always dry the parts carefully.
- lean the external optics at least every 20 days.

Quality, Innovation, Performance