

# HYGIEA™

## XP 100 BEAM

### FEATURES

- Diameter of front lens: 97mm
- Lamp life: 8000 hours\*
- Standard mode: Ra >70
- Color Wheel: 1 color wheel with 14 colors plus open
- Gobo Wheel: 1 fixed gobo wheel with 15 gobos plus open
- 8 facet prism+16 facet prism+ Tower mirror, both of them can rotate in both directions
- 0-100% smooth dimming
- Various strobe speeds

### TECHNICAL SPECIFICATIONS

#### Specifications

- Light Source: Osram Sirius HRI 100W
- Color Temperature: 9000K
- Beam Angle: 3°

#### Control

- DMX Channel: 12 /14 channels
- Control Mode: DMX512,RDM
- Firmware Upgrade: Update via DMX link

#### Pan/Tilt

- Pan/Tilt: 540°/ Endless rotation
- Pan/Tilt Resolution: 16 bit

#### Construction

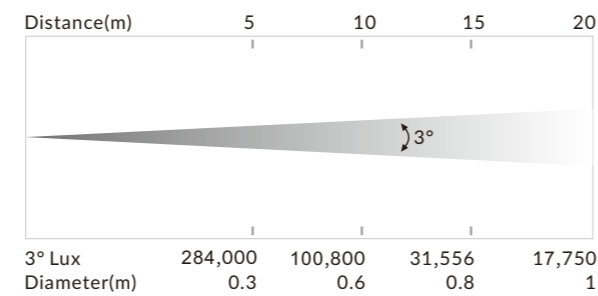
- Display: LCD display
- Data In/Out: 3-pin or 5-pin XLR
- Power In/Out: Power Connector In/Out
- Protection Rating: IP20

#### Electrical and Physical

- Power Voltage: 100-240V~ 50/60Hz
- Power Consumption: 175W
- Dimension : 268 x 194 x 401mm (10.6" x 7.6" x 15.8")
- Carton dimension: 385 x 320 x 495mm (15.2" x 12.6" x 19.5")
- Weight: 10 kg(22.1lbs)  
12 kg (26.5lbs)(One-pack per carton)

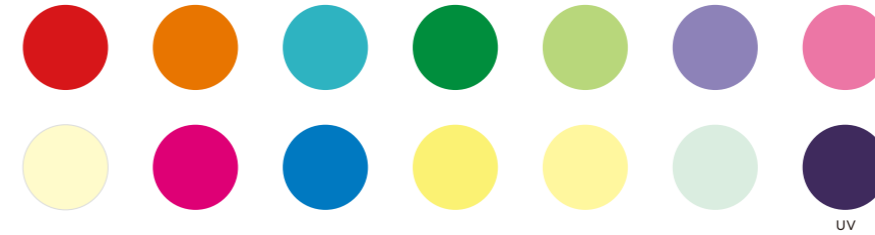


### PHOTOMETRICS DIAGRAM

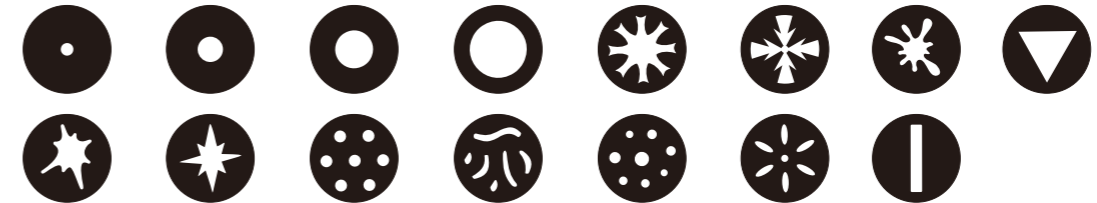


### FUNCTIONAL EFFECT

#### Color Wheel



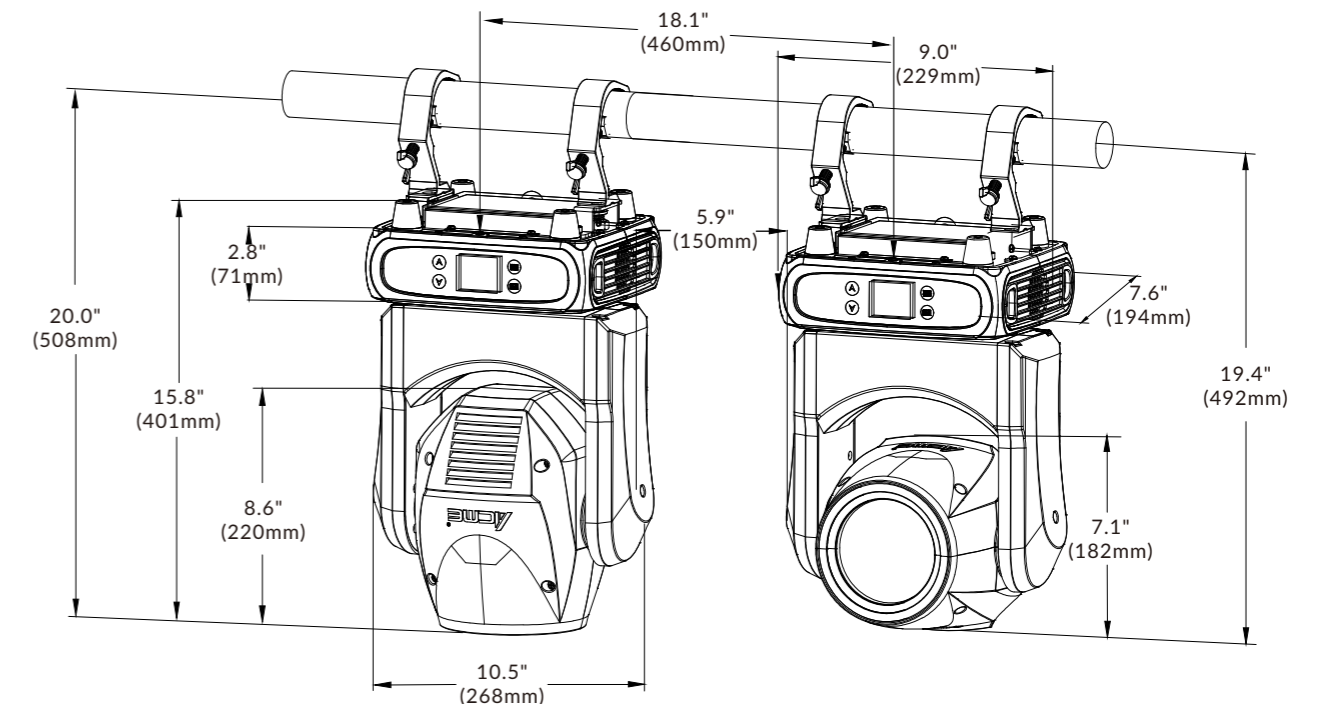
#### Static Gobo Wheel



#### 8-Facet Prism 16-Facet Linear Prism



### DIMENSIONS mm (in.)



(\*Lamp's working life depends on the cycle ratio of its usage pattern and other environmental factors, such as dust, oil, temperature, humidity, etc.)

