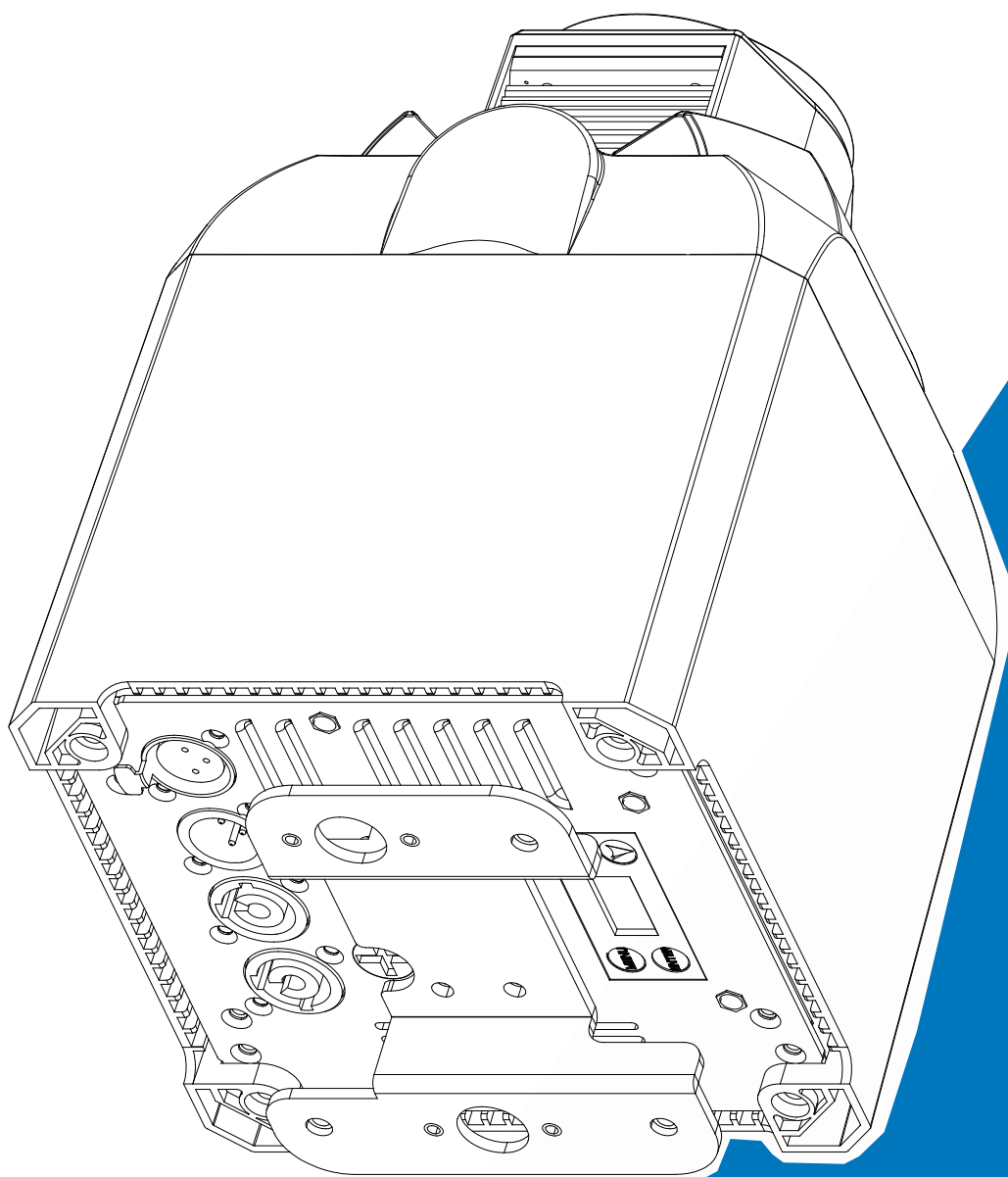


# Acme<sup>®</sup>

## EYES C



## User Manual

Please read the instruction carefully before use

## CONTENTS

1. Safety Instructions .....	2
2. Technical Specifications .....	4
3. Control Panel .....	6
4. How To Set The Unit.....	6
4.1 Main Function.....	6
4.2 Home Position Adjustment .....	13
5. Control By Universal DMX Controller .....	15
5.1 DMX512 Connection .....	15
5.2 Address Setting .....	16
5.3 DMX512 Configuration.....	16
6. Error Information .....	20
7. Troubleshooting .....	21
8. Fixture Cleaning .....	22

## 1. Safety Instructions



Please read the instruction carefully which includes important information about the installation, usage and maintenance.

### WARNING

Please keep this User Guide for future consultation. If you sell the unit to another user, be sure that they also receive this instruction manual.

### Important:

**Damages caused by the disregard of this user manual are not subject to warranty. The dealer will not accept liability for any resulting defects or problems.**

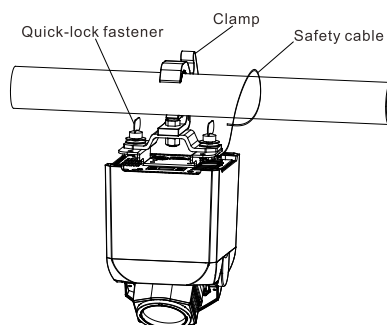
- Unpack and check carefully to ensure that there is no transportation damage before using the unit.
- This product is for indoor use only. Use only in a dry location.
- DO install and operate by qualified operator.
- DO NOT allow children to operate the fixture.
- Use safety chain when fixing the unit. Handle the unit by carrying its base instead of head only.
- The unit must be installed in a location with adequate ventilation, at least 50cm from adjacent surfaces.
- Be sure that no ventilation slots is blocked, otherwise the unit will be overheated.
- Before operation, ensure that you are connecting this product to the proper voltage in accordance with the specifications in this manual or on the product's specification label.
- It's important to ground the yellow/green conductor to earth in order to avoid electric shock.
- Minimum ambient temperature TA: 0°C. Maximum ambient temperature TA: 40°C. Do not operate this product at a lower or higher temperature.
- DO NOT connect the device to any dimmer pack.
- Keep flammable materials away from the fixture while operating to avoid fire hazard.
- Make sure the power cord is not crimped or damaged; replace it immediately if damaged.
- Unit's surface temperature may reach up to 75°C. DO NOT touch the housing bare-handed during its operation.
- Avoid any flammable liquids, water or metal from entering the unit. Once it happens, cut off the mains power immediately.

- DO NOT operate in a dirty or dusty environment. DO clean the fixture regularly.
- DO NOT touch any wire during operation as there might be a hazard of electric shock.
- Avoid entanglement of the power cord with other wires.
- The minimum distance to objects/surface must be more than 0.5 meters.
- Disconnect mains power before fuse replacement or servicing.
- Replace fuse only with the same type.
- In the event of serious operating problem, stop using the unit immediately.
- Never turn on and off the unit time after time.
- The housing, the lenses, or the ultraviolet filter must be replaced if they are visibly damaged.
- DO NOT open the housing as there are no user serviceable parts inside.
- DO NOT attempt to operate this unit if it becomes damaged. DO NOT attempt any repairs yourself. Repairs carried out by unskilled people can lead to damage or malfunction. Please contact the nearest authorized technical assistance center if needed.
- Disconnect this product from its power source before servicing.
- DO use the original packaging if the device is to be transported.
- Avoid direct eye exposure to the light source while the product is on.
- DO NOT operate this product if you see damage on the housing, shields, or cables. Have the damaged parts replaced by an authorized technician at once.

### Installation:

The fixture should be fixed on the clamp. Always ensure that the unit is firmly fixed to avoid vibration and slipping off during operation. Ensure that the trussing or area of installation must be able to hold 10 times the weight without any deformation. Always install a safety cable that can hold at least 12 times the weight of the fixture when installing.

DO install and operate by qualified operator. It must be installed in a place where there is out of the reach of people.



## 2. Technical Specifications

### **Power Voltage:**

100-240V~ 50/60Hz

### **Power Consumption:**

55W

### **Light Source:**

1x40W RGBW LED

1xRing LED module

### **Beam Angel:**

5°/25°

(Note: the beam angle can be customized according to the application)

### **Movement:**

Pan: 77°

Tilt: 77°

Pan/Tilt Resolution: 16 bit

### **Dimmer/Shutter:**

Smooth dimming from 0-100%; outstanding strobe effect with variable speed

### **Control:**

DMX Channel: 14/29 Channels

Control Mode: DMX512, RDM

Firmware Upgrade via DMX link

### **Construction:**

Display: OLED display

Data In/Out: 3-pin XLR (5-pin XLR is optional)

Power In/Out: Power Connector in/out

Protection Rating: IP20

**Features:**

The LED ring can be controlled individually and provide pixel control, strobe, dimming and other effects

Uniform RGBW color mixing and rainbow effect

High efficiency, low energy consumption, good heat dissipation, long lifetime

Compact design, small size, technology leading peer similar products

Easily combine with each other by horizontal or vertical installation

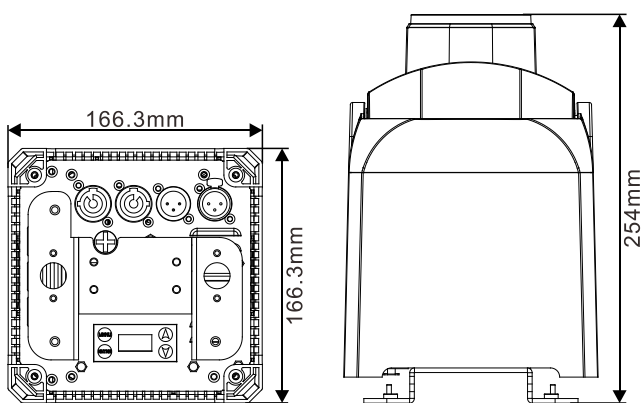
Suitable for bar, KTV, hotel, banquet hall and other entertainment places

Compact body, light weight, energy-saving, excellent thermal design, long lifespan

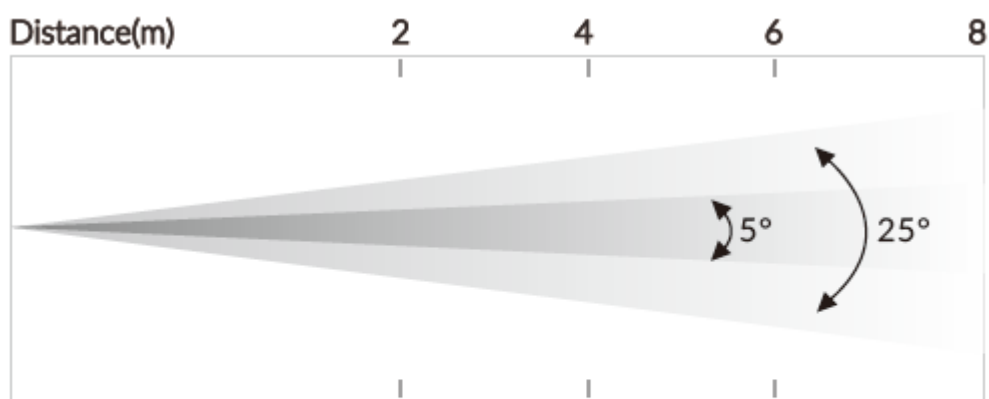
**Dimension/Weight:**

166.3x166.3x254mm, 4kgs

6.5"x6.5"x10" in, 8.8lbs

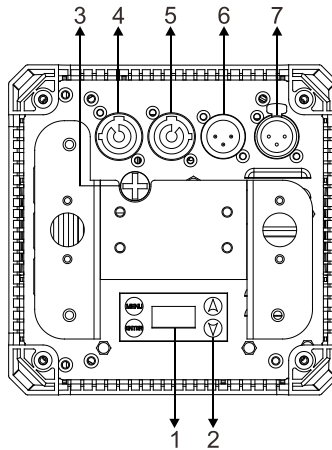


**Photometric Diagram:**



Distance(m)	2	4	6	8
5° Lux	10,890	2,537	1,175	731
Diameter(m)	0.2	0.4	0.6	0.8
25° Lux	758	218	95	60
Diameter(m)	0.9	1.7	2.6	3.4

### 3. Control Panel



**1. Display:** To show the various menus and the selected function

**2. Button:**

<b>MENU</b>	To enter into move backward or leave the menu
<b>▲ UP</b>	To go backward to move up in the menu
<b>▼ DOWN</b>	To go forward to move down in the menu
<b>ENTER</b>	To perform the desired functions

**3. FUSE(T 1A):** Protects the unit from damage of over-voltage or short circuit

**4. POWERCON OUT:** To connect to the next fixture

**5. POWERCON IN:** To connect to supply power

**6. DMX IN:**

For DMX512 link, use 3-pin XLR cable to link the unit and DMX controller (5-pin XLR is optional)

**7. DMX OUT:**

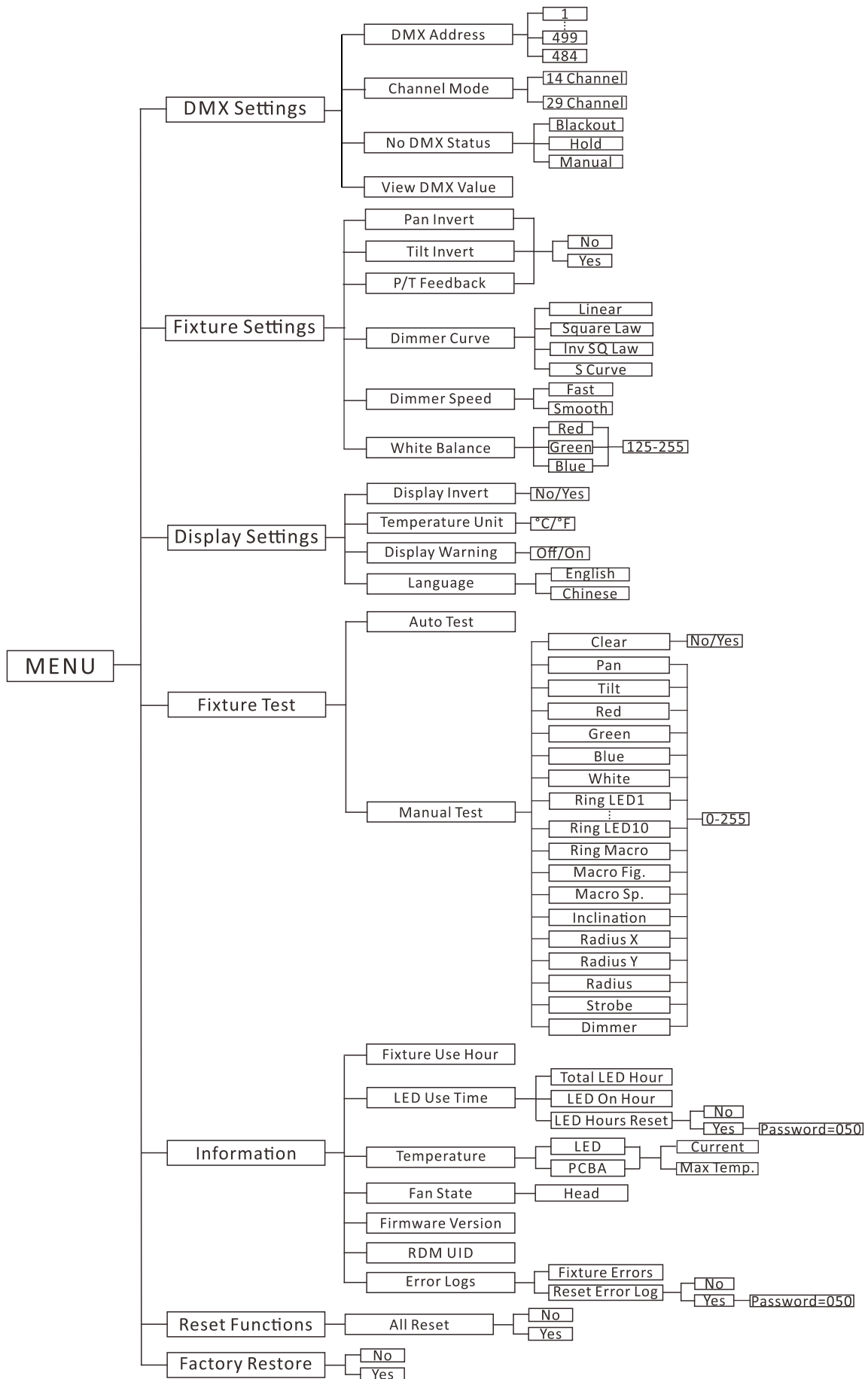
For DMX512 link, use 3-pin XLR cable to link the next units (5-pin XLR is optional)

### 4. How To Set The Unit

#### 4.1 Main Function

Turn on the unit, press the MENU button into menu mode, and press the UP/DOWN button until the required function is shown on the monitor. Select the function by pressing the ENTER button. Use the UP/DOWN button to choose the submenu, press the ENTER button to store and automatically return to the last menu. Press the MENU button or let the unit idle 30 seconds to exit menu mode.

The main functions are shown below:





## ***DMX Settings***

To select **DMX Settings**, press the **ENTER** button to confirm, use the **UP/DOWN** button to select **DMX Address, Channel Mode, No DMX Status** or **View DMX Value**.

### **DMX Address**

To select **DMX Address**, press the **ENTER** button to confirm. Use the **UP/DOWN** button to adjust the address from **001** to **499/484**, press the **ENTER** button to store. Press the **MENU** button back to the last menu or let the unit idle 30 seconds to exit menu mode.

### **Channel Mode**

To select **Channel Mode**, press the **ENTER** button to confirm. Use the **UP/DOWN** button to select **14 Channel** or **29 Channel**, press the **ENTER** button to store. Press the **MENU** button back to the last menu or let the unit idle 30 seconds to exit menu mode.

### **No DMX Status**

To select **No DMX Status**, press the **ENTER** button to confirm. Use the **UP/DOWN** button to select **Blackout**(fixture blacks out if DMX signal stops), **Hold**(fixture continues to obey the last command it received Via DMX if DMX signal stops) or **Manual**(the fixture will automatically read the DMX value in the “Manual Test” menu for operation after selecting this mode), press the **ENTER** button to store. Press the **MENU** button back to the last menu or let the unit idle 30 seconds to exit menu mode.

### **View DMX Value**

To select **View DMX Value**, press the **ENTER** button to confirm. Use the **UP/DOWN** button to view the DMX channel value. Press the **MENU** button back to the last menu or let the unit idle 30 seconds to exit menu mode.

## ***Fixture Settings***

To select **Fixture Settings**, press the **ENTER** button to confirm, use the **UP/DOWN** button to select **Pan Invert, Tilt Invert, P/T Feedback, Dimmer Curve, Dimmer Speed** or **White Balance**.

### **Pan Invert**

To select **Pan Invert**, press the **ENTER** button to confirm. Use the **UP/DOWN** button to select **No** (normal) or **Yes** (pan invert), press the **ENTER** button to store. Press the **MENU** button back to the last menu or let the unit idle 30 seconds to exit menu mode.

### Tilt Invert

To select **Tilt Invert**, press the **ENTER** button to confirm. Use the **UP/DOWN** button to select **No** (normal) or **Yes** (tilt invert), press the **ENTER** button to store. Press the **MENU** button back to the last menu or let the unit idle 30 seconds to exit menu mode.

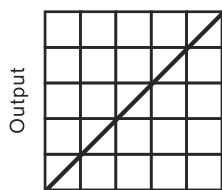
### P/T Feedback

To select **P/T Feedback**, press the **ENTER** button to confirm. Use the **UP/DOWN** button to select **No** (Pan or tilt's position will not feedback while out of step) or **Yes** (Feedback while pan/tilt out of step), press the **ENTER** button to store. Press the **MENU** button back to the last menu or let the unit idle 30 seconds to exit menu mode.

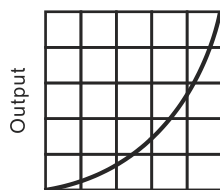
### Dimmer Curve

To select **Dimmer Curve**, press the **ENTER** button to confirm. Use the **DOWN/UP** button to select **Linear**, **Square Law**, **Inv SQ Law** or **S Curve**, press the **ENTER** button to store. Press the **MENU** button back to the last menu or let the unit idle 30 seconds to exit menu mode.

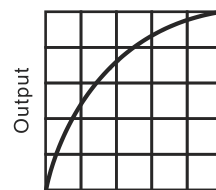
### Dimmer Modes



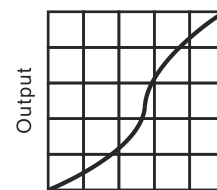
Optically Linear



Square Law



Inverse Square Law



S-curve

**Optically Linear:** The increase in light intensity appears to be linear as DMX value is increased.

**Square Law:** Light intensity control is finer at low levels and coarser at high levels.

**Inverse Square Law:** Light intensity control is coarser at low levels and finer at high levels.

**S-Curve:** Light intensity control is finer at low levels and high levels and coarser at medium levels.

### Dimmer Speed

To select **Dimmer Speed**, press the **ENTER** button to confirm. Use the **UP/DOWN** button to select **Fast** or **Smooth**, press the **ENTER** button to store. Press the **MENU** button back to the last menu or let the unit idle 30 seconds to exit menu mode.

### White Balance

To select **White Balance**, press the **ENTER** button to confirm. Use the **UP/DOWN** button to select **Red**, **Green** or **Blue**, press the **ENTER** button to store. Use the **UP/DOWN** button to adjust the value **125** to **255**, press the **ENTER** button to store. Press the **MENU** button back to the last menu or let the unit idle 30 seconds to exit menu mode.

## ***Display Settings***

To select **Display Settings**, press the **ENTER** button to confirm, use the **UP/DOWN** button to select **Display Invert, Temperature Unit, Display Warning** or **Language**.

### **Display Invert**

Select **Display Invert**, press the **ENTER** button to confirm. Use the **UP/DOWN** button to select **No** (normal display) or **Yes** (invert display), press the **ENTER** button to store. Press the **MENU** button back to the last menu or let the unit idle 30 seconds to exit menu mode.

### **Temperature Unit**

Select **Temperature Unit**, press the **ENTER** button to confirm. Use the **UP/DOWN** button to select **°C** or **°F**, press the **ENTER** button to store. Press the **MENU** button back to the last menu or let the unit idle 30 seconds to exit menu mode.

### **Display Warning**

Select **Display Warning**, press the **ENTER** button to confirm. Use the **UP/DOWN** button to select **Off** or **On**, press the **ENTER** button to store. Press the **MENU** button back to the last menu or let the unit idle 30 seconds to exit menu mode.

### **Language**

Select **Language**, press the **ENTER** button to confirm. Use the **UP/DOWN** button to select **English** or **Chinese**, press the **ENTER** button to store. Press the **MENU** button back to the last menu or let the unit idle 30 seconds to exit menu mode.

## ***Fixture Test***

To select **Fixture Test**, press the **ENTER** button to confirm, use the **UP/DOWN** button to select **Auto Test** or **Manual Test**

### **Auto Test**

Select **Auto Test**, press the **ENTER** button to confirm, the unit will run built-in programs to automatically test itself. Press the **MENU** button back to the last menu or exit menu mode after auto test.

## **Manual Test**

Select **Manual Test**, press the **ENTER** button to confirm, the present channel will show on the display, use the **UP/DOWN** button to select channel, press the **ENTER** button to confirm, then use the **UP/DOWN** button to adjust the value, press the **ENTER** button to store, the fixture will run as the channel value indicates. Press the **MENU** button back to the last menu or exit menu mode idling 30 seconds.

(The fixture will return to the previous DMX state after exiting Manual Test menu and the Manual Test parameters will be automatically saved after power off and restart.)

## ***Information***

To select **Information**, press the **ENTER** button to confirm, use the **UP/DOWN** button to select **Fixture Use Hour, LED Use Time, Temperature, Fan State, Firmware Version, RDM UID** or **Error Logs**.

### **Fixture Use Hour**

Select **Fixture Use Hour**, press the **ENTER** button to confirm, fixture use hour will show on the display, press the **MENU** button to exit.

### **LED Use Time**

To select **LED Use Time**, press the **ENTER** button to confirm, use the **UP/DOWN** button to select **Total LED Hour, LED On Hour** or **LED Hours Reset**, press the **ENTER** button to store. Select **LED Hours Reset**, press the **ENTER** button to confirm, use the **UP/DOWN** button to select **No** or **Yes**, press the **ENTER** button to store. Select **Yes**, press the **ENTER** button to confirm, use the **UP/DOWN** button to set the password **050** to reset the LED hours, press the **ENTER** button to store. Press the **MENU** button back to the last menu or exit menu mode let the unit idle 30 seconds.

### **Temperature**

Select **Temperature**, press the **ENTER** button to confirm, fixture temperature will show on the display, press the **MENU** button to exit.

### **Fan State**

Select **Fan State**, press the **ENTER** button to confirm, fan state will show on the display, press the **MENU** button to exit.

### **Firmware Version**

Select **Firmware Version**, press the **ENTER** button to confirm, firmware version will show on the display, press the **MENU** button back to exit.

### **RDM UID**

Select **RDM UID**, press the **ENTER** button to confirm, RDM UID will show on the display, press the **MENU** button back to exit.

### **Error Logs**

Select **Error Logs**, press the **ENTER** button to confirm. Use the **UP/DOWN** button to select **Fixture Errors** or **Reset Error Log**, press the **ENTER** button to store. Select **Reset Error Log**, press the **ENTER** button to confirm. Use the **UP/DOWN** button to select **No** or **Yes**, press the **ENTER** button to store. Select **Yes**, press the **ENTER** button to confirm. Use the **UP/DOWN** button to set the password **050**, press the **ENTER** button to store. Press the **MENU** button back to the last menu or let the unit idle 30 seconds to exit menu mode.

### ***Reset Functions***

To select **Reset Functions**, press the **ENTER** button to confirm, use the **UP/DOWN** button to select **All Reset**.

#### **All Reset**

Select **All Reset**, press the **ENTER** button to confirm, use the **UP/DOWN** button to select **No**(normal) or **Yes** (the unit will run built-in program to reset all motors to their home positions), press **ENTER** button to store. Press the **MENU** button to exit.

#### ***Factory Restore***

Select **Factory Restore**, press the **ENTER** button to confirm, use the **UP/DOWN** button to select **No**(normal) or **Yes** (the fixture will reset to factory settings), press **ENTER** button to store. Press the **MENU** button to exit.

## **RDM FUNCTIONS**

Select the MANUFACTURER menu to display the manufacturer of the fixture.

Select the SOFTWARE VERSION menu and the program version number of the fixture will be displayed.

Select the DMX START ADDRESS menu to change the DMX 512 address (001-512).

Select the DEVICE MODEL DESCRIPTION menu to display the model of the fixture.

Select the DEVICE LABEL menu to change the model of the fixture.

Select the DMX PERSONALITY menu to set the channel mode of the fixture (14/29 channel).

Select the DMX PERSONALITY DESCRIPTION menu to display the current channel mode of the fixture.

Select the DEVICE HOURS menu to display the running time of the fixture.

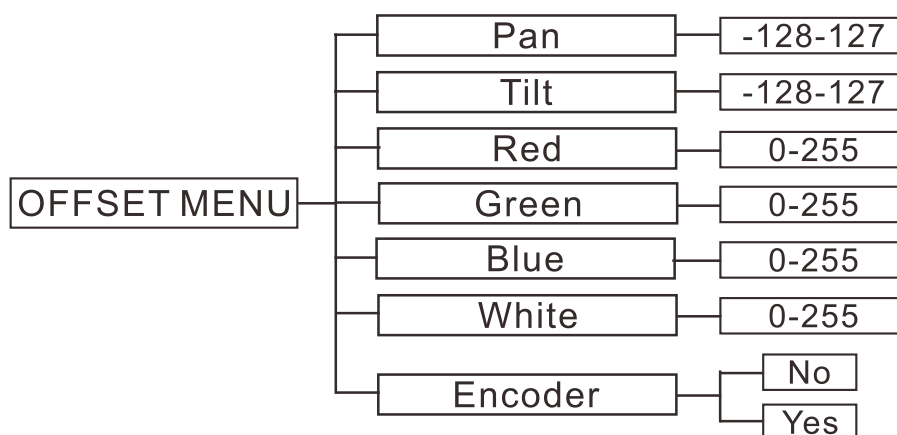
Select the PAN INVERT menu and the fixture will run the pan invert mode.

Select the TILT INVERT menu and the fixture will run the tilt invert mode.

Select the RESET DEVICE menu, the WARM RESET/COLD RESET option will be displayed. When WARM RESET is selected, the fixture will start a warm reset, and exit when COLD RESET is selected.

### **4.2 Home Position Adjustment**

Press the MENU button into menu mode, then press the ENTER button for about 3 seconds into offset mode to adjust the home position. Select the function by pressing the ENTER button. Use the UP/DOWN button to choose the submenu, press the ENTER button to store and automatically return to the last menu. Press MENU button to exit.



### **Pan**

Enter offset mode, Select **Pan**, press the **ENTER** button to confirm, the present position will blink on the display, use the **UP/DOWN** button to offset the value from -128 to 127, press the **ENTER** button to store. Press the **MENU** button to exit.

### **Tilt**

Enter offset mode, Select **Tilt**, press the **ENTER** button to confirm, the present position will blink on the display, use the **UP/DOWN** button to offset the value from -128 to 127, press the **ENTER** button to store. Press the **MENU** button to exit.

### **Red**

Enter offset mode, Select **Red**, press the **ENTER** button to confirm, the present position will blink on the display, use the **UP/DOWN** button to offset the value from 0 to 255, press the **ENTER** button to store. Press the **MENU** button to exit.

### **Green**

Enter offset mode, Select **Green**, press the **ENTER** button to confirm, the present position will blink on the display, use the **UP/DOWN** button to offset the value from 0 to 255, press the **ENTER** button to store. Press the **MENU** button to exit.

### **Blue**

Enter offset mode, Select **Blue**, press the **ENTER** button to confirm, the present position will blink on the display, use the **UP/DOWN** button to offset the value from 0 to 255, press the **ENTER** button to store. Press the **MENU** button to exit.

### **White**

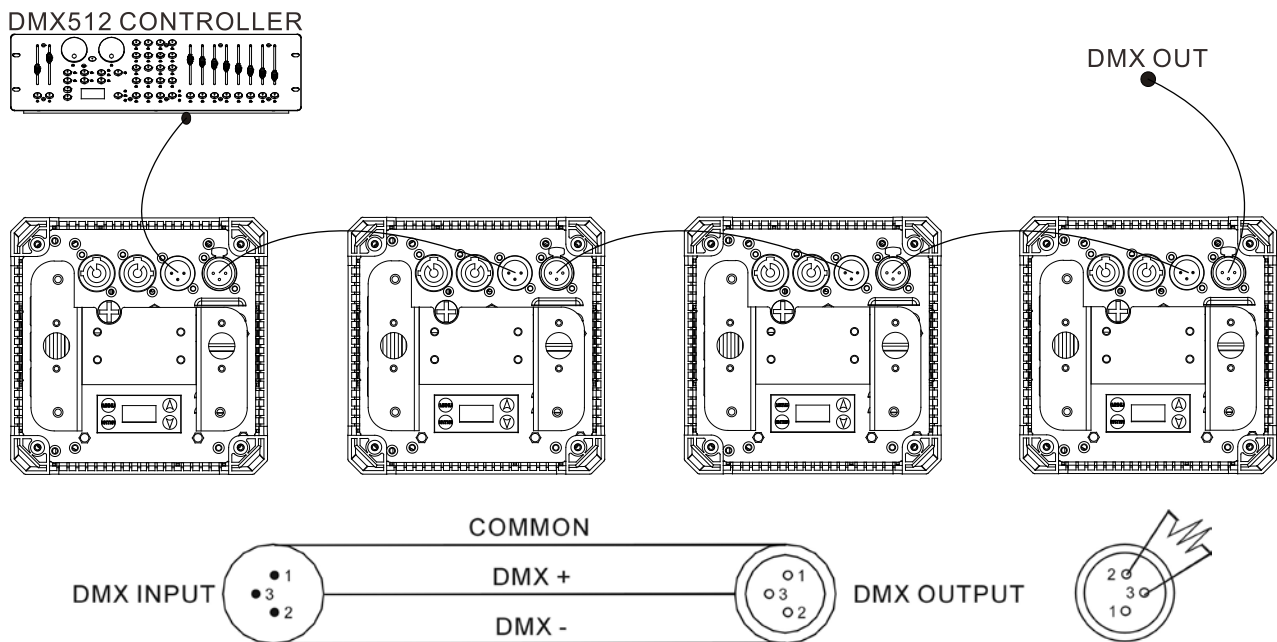
Enter offset mode, Select **White**, press the **ENTER** button to confirm, the present position will blink on the display, use the **UP/DOWN** button to offset the value from 0 to 255, press the **ENTER** button to store. Press the **MENU** button to exit.

### **Encoder**

Enter offset mode, Select **Encoder**, press the **ENTER** button to confirm, use the **UP/DOWN** button to select **No** or **Yes**, press the **ENTER** button to store. Press the **MENU** button to exit.

## 5. Control By Universal DMX Controller

### 5.1 DMX512 Connection



1. At last unit, the DMX cable has to be terminated with a terminator. Solder a 120-ohm 1/4W resistor between pin 2(DMX-) and pin 3(DMX+) into a 3-pin XLR-plug and plug it in the DMX-output of the last unit.
2. Connect the unit together in a “daisy chain” by XLR plug cable from the output of the unit to the input of the next unit. The cable can only be used in series and cannot be connected in parallel. DMX 512 is a very high-speed signal. Inadequate or damaged cables, soldered joints or corroded connectors can easily distort the signal and shut down the system.
3. The DMX output and input connectors are pass-through to maintain the DMX circuit, when one of the units’ power is disconnected.
4. Each lighting unit needs to have a DMX address to receive the data by the controller. The address number is between 1-512.
5. The end of the DMX 512 system should be terminated to reduce signal errors.
6. 3 pin XLR connectors are more popular than 5 pins XLR.  
3 pin XLR: Pin 1: GND, Pin 2: Negative signal (-), Pin 3: Positive signal (+)  
5 pin XLR: Pin 1: GND, Pin 2: Negative signal (-), Pin 3: Positive signal (+), Pin4, Pin5 not used.



## 5.2 Address Setting

If you use a universal DMX controller to control the units, you have to set DMX address from 1 to 512 so that the units can receive DMX signal.

Press the MENU button to enter menu mode, select DMX Settings, press the ENTER button to confirm, use the UP/DOWN button to select DMX Address, press the ENTER button to confirm, the present address will blink in the display, use the UP/DOWN button to adjust the address from 001 to 512, press the ENTER button to store. Press the MENU button back to the last menu or let the unit idle 30 seconds to exit menu mode.

Please refer to the following diagram to address your DMX512 channel for the first 4 units.

Channel mode	Unit 1 Address	Unit 2 Address	Unit 3 Address	Unit 4 Address
14 channels	1	15	29	43
29 channels	1	30	59	88

## 5.3 DMX512 Configuration

Please control the fixture by referring to the configurations below

### Attentions:

1. The unit will maintain the last condition until reset if you cut-off the DMX signal.
2. For the channel Function, keep the value for about 3 seconds, then the corresponding function will take into effect.

### 14 Channels:

CHANNEL	VALUE	FUNCTION
1	000-255	PAN 0°→77°
2	000-255	PAN FINE
3	000-255	TILT 0°→77°
4	000-255	TILT FINE
5	000-255	RED 0%→100%
6	000-255	GREEN 0%→100%

<b>7</b>	000-255	<b>BLUE</b> 0%→100%
<b>8</b>	000-255	<b>WHITE</b> 0%→100%
<b>9</b>	000-255	<b>RING LED DIMMER</b> 0%→100%
<b>10</b>	000-015 016-055 056-095 096-135 136-175 176-215 216-255	<b>RING LED SHOW</b> Close Show1 Show2 Show3 Show4 Show5 Show6
<b>11</b>	000-007 008-015 016-131 132-139 140-181 182-189 190-231 232-239 240-247 248-255	<b>STROBE</b> Close Open Strobe from Slow to Fast Open Fast Close Slow Open Open Fast Open Slow Close Open Random Strobe Open
<b>12</b>	000-255	<b>DIMMER</b> 0%→100%
<b>13</b>	000-255	<b>DIMMER FINE</b>
<b>14</b>	000-029 030-039 040-049 050-059 060-069 070-079 080-089 090-099 100-109 110-119 120-199 200-209 210-219 220-229 230-255	<b>FUNCTION</b> Null Dimmer Curve Linear Dimmer Curve Square Law Dimmer Curve Inv SQ Law Dimmer Curve S Null Null Null Null Null Reset All Dimmer Speed Fast Dimmer Speed Smooth Null

29 Channels:

CHANNEL	VALUE	FUNCTION
1	000-255	PAN 0°→77°
2	000-255	PAN FINE
3	000-255	TILT 0°→77°
4	000-255	TILT FINE
5	000-255	RED 0%→100%
6	000-255	GREEN 0%→100%
7	000-255	BLUE 0%→100%
8	000-255	WHITE 0%→100%
9	000-255	RING LED1 0%→100%
10	000-255	RING LED2 0%→100%
11	000-255	RING LED3 0%→100%
12	000-255	RING LED4 0%→100%
13	000-255	RING LED5 0%→100%
14	000-255	RING LED6 0%→100%
15	000-255	RING LED7 0%→100%
16	000-255	RING LED8 0%→100%
17	000-255	RING LED9 0%→100%
18	000-255	RING LED10 0%→100%
19	000-015 016-055 056-095 096-135 136-175 176-215	RING LED SHOW Close Show1 Show2 Show3 Show4 Show5

	216-255	Show6
<b>20</b>	000-255	<b>MACRO FIGURE</b> 0%→100%
<b>21</b>	000-255	<b>MACRO SPEED</b> 0%→100%
<b>22</b>	000-255	<b>INCLINATION</b> 0%→100%
<b>23</b>	000-255	<b>RADIUS X</b> 0%→100%
<b>24</b>	000-255	<b>RADIUS Y</b> 0%→100%
<b>25</b>	000-255	<b>RADIUS</b> 0%→100%
<b>26</b>	000-007 008-015 016-131 132-139 140-181 182-189 190-231 232-239 240-247 248-255	<b>STROBE</b> Close Open Strobe from Slow to Fast Open Fast Close Slow Open Open Fast Open Slow Close Open Random Strobe Open
<b>27</b>	000-255	<b>DIMMER</b> 0%→100%
<b>28</b>	000-255	<b>DIMMER FINE</b>
<b>29</b>	000-029 030-039 040-049 050-059 060-069 070-079 080-089 090-099 100-109 110-119 120-199 200-209 210-219 220-229 230-255	<b>FUNCTION</b> Null Dimmer Curve Linear Dimmer Curve Square Law Dimmer Curve Inv SQ Law Dimmer Curve S Null Null Null Null Null Null Reset All Dimmer Speed Fast Dimmer Speed Smooth Null

## **6. Error Information**

**Error codes are shown continuously in the display when the fixture fails and they will not disappear until the fixture is repaired.**

### **1. Pan Reset Error**

Check whether the position of the pan where the magnet is installed falls off or is damaged.

Check whether there are obstacles in the pan operating range.

Check whether the Hall element on the pan is damaged.

Check whether the lead connecting the Hall element on the pan and the PCB board is in poor contact or disconnected.

Check whether the motor on the pan is damaged.

Check whether the related circuit of the motor drive board on the pan is damage.

### **2. Pan Encode Error**

Check whether the encoder on the pan is damaged.

Check whether the lead connecting the encoder on the pan and the PCB board is in poor contact or disconnected.

### **3. Tilt Reset Error**

Check whether the position of the tilt where the magnet is installed falls off or is damaged.

Check whether there are obstacles in the tilt operating range.

Check whether the Hall element on the tilt is damaged.

Check whether the lead connecting the Hall element on the tilt and the PCB board is in poor contact or disconnected.

Check whether the motor on the tilt is damaged.

Check whether the related circuit of the motor drive board on the tilt is damage.

### **4. Tilt Encode Error**

Check whether the encoder on the tilt is damaged.

Check whether the lead connecting the encoder on the tilt and the PCB board is in poor contact or disconnected.

### **5. H\_Fan Start Error**

Check whether the fan is not running.

Check whether the fan leads are installed in place or disconnected.

Check whether the fan is damaged.

Check whether there are obstacles in the fan operating range.

#### **6. H\_Fan Stop Error**

Check whether the fan circuit on the motherboard breaks down.

Check whether the component is damaged.

#### **7. H\_Fan Too Slow**

Check whether the fan is out of order.

Check whether there are obstacles in the fan operating range.

#### **8. H\_Fan Too Fast**

Check whether the fan is out of order.

Check whether the fan circuit on the motherboard breaks down.

## **7. Troubleshooting**

**Following are a few common problems that may occur during operation. Here are some suggestions for troubleshooting:**

### **A. The unit does not work, no light and the fan does not work**

1. Check the connected power and main fuse.
2. Measure the voltage.
3. Check the power indicator to see whether it can be lit up or not.

### **B. Not responding to the DMX controller**

1. Check whether the DMX connectors and the DMX cables are connected correctly.
2. Check whether the DMX address is correctly set.
3. If the intermittent DMX signal problem occurs, check whether the XLR socket and the signal cable are well connected.
4. Try it with another DMX controller.
5. Check whether the DMX cables run near or alongside to the high-voltage cables, which may damage or interfere with the signal circuit.

### **C. One of the channels is not working well**

1. The stepper motor might be damaged or the cable connected to the PCB might be broken.
2. The motor's drive IC on the PCB might be out of condition.

## **8. Fixture Cleaning**

It is absolutely essential that the fixture is kept clean to ensure the maximum light-output and allow the fixture to function reliably throughout its life. The fixture must be cleaned regularly to avoid dust, dirt and smoke-fluid residues building up on or within the fixture. The cleaning frequency depends on the application environment. Clean the fixture immediately if the dust enters it to avoid damage to the optical lens due to excessive dust.

- A soft lint-free cloth moistened with any good glass cleaning fluid is recommended, under no circumstances should solvents be used.
- Always dry the parts carefully.
- Clean the external optical lens at least every 20 days.

**Innovation, Quality, Performance**