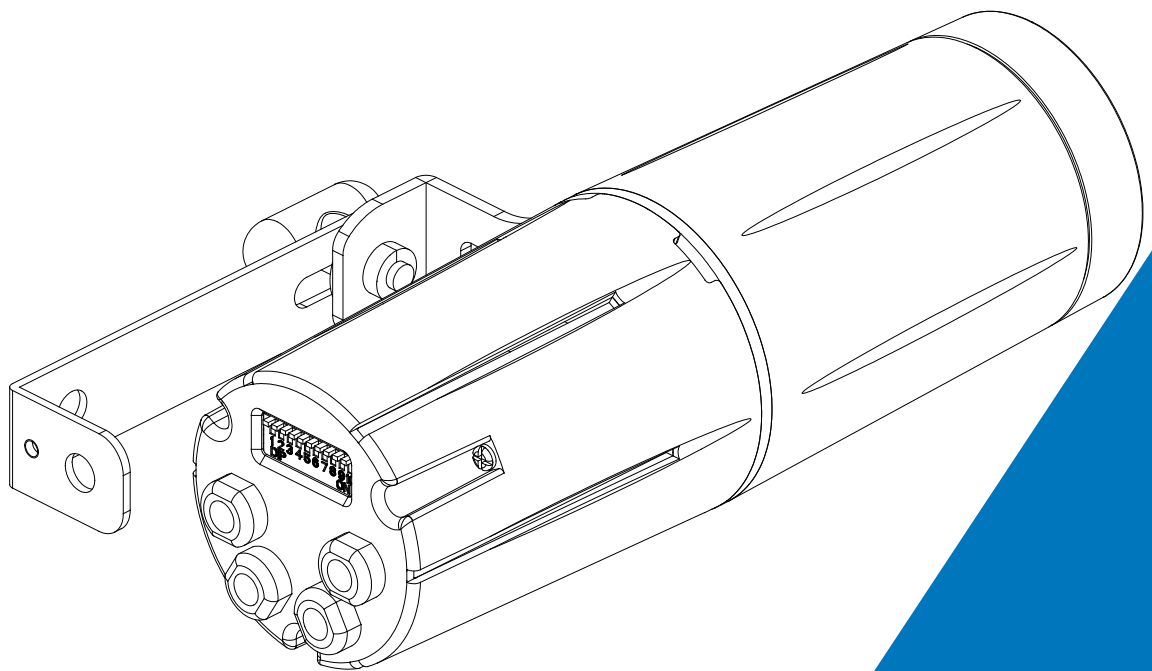


# Acme®

## DOTUS



### User Manual

Please read the instruction carefully before use

## CONTENTS

|  |   |
|--|---|
| 1. Safety Instructions .....                 | 2 |
| 2. Technical Specifications .....            | 4 |
| 3. Control Panel .....                       | 5 |
| 4. Control By Universal DMX Controller ..... | 6 |
| 4.1 DMX512 Connection .....                  | 6 |
| 4.2 Address Setting .....                    | 7 |
| 4.3 DMX512 Configuration.....                | 7 |
| 5. Troubleshooting.....                      | 9 |
| 6. Fixture Cleaning.....                     | 9 |

## 1. Safety Instructions



Please read the instruction carefully which includes important information about the installation, usage and maintenance.

### WARNING

Please keep this User Guide for future consultation. If you sell the unit to another user, be sure that they also receive this instruction manual.

### Important:

**Damages caused by the disregard of this user manual are not subject to warranty. The dealer will not accept liability for any resulting defects or problems.**

- Unpack and check carefully to ensure that there is no transportation damage before using the unit.
- This product is for indoor use only. Use only in a dry location.
- DO install and operate by qualified operator.
- DO NOT allow children to operate the fixture.
- Use safety chain when fixing the unit. Handle the unit by carrying its base instead of head only.
- The unit must be installed in a location with adequate ventilation, at least 50cm from adjacent surfaces.
- Be sure that no ventilation slots is blocked, otherwise the unit will be overheated.
- Before operation, ensure that you are connecting this product to the proper voltage in accordance with the specifications in this manual or on the product's specification label.
- It's important to ground the yellow/green conductor to earth in order to avoid electric shock.
- Minimum ambient temperature TA: 0°C. Maximum ambient temperature TA: 40°C. Do not operate this product at a lower or higher temperature.
- DO NOT connect the device to any dimmer pack.
- Keep flammable materials away from the fixture while operating to avoid fire hazard.
- Make sure the power cord is not crimped or damaged; replace it immediately if damaged.
- Avoid any flammable liquids, water or metal from entering the unit. Once it happens, cut off the mains power immediately.
- DO NOT operate in a dirty or dusty environment. DO clean the fixture regularly.
- DO NOT touch any wire during operation as there might be a hazard of electric shock.

- Avoid entanglement of the power cord with other wires.
- The minimum distance to objects/surface must be more than 0.5 meters.
- In the event of serious operating problem, stop using the unit immediately.
- Never turn on and off the unit time after time.
- The housing, the lenses, or the ultraviolet filter must be replaced if they are visibly damaged.
- DO NOT open the housing as there are no user serviceable parts inside.
- DO NOT attempt to operate this unit if it becomes damaged. DO NOT attempt any repairs yourself. Repairs carried out by unskilled people can lead to damage or malfunction. Please contact the nearest authorized technical assistance center if needed.
- Disconnect this product from its power source before servicing.
- DO use the original packaging if the device is to be transported.
- Avoid direct eye exposure to the light source while the product is on.
- DO NOT operate this product if you see damage on the housing, shields, or cables. Have the damaged parts replaced by an authorized technician at once.

**Installation:**

The fixture should be fixed on the clamp. Always ensure that the unit is firmly fixed to avoid vibration and slipping off during operation. Ensure that the trussing or area of installation must be able to hold 10 times the weight without any deformation. Always install a safety cable that can hold at least 12 times the weight of the fixture when installing.

DO install and operate by qualified operator. It must be installed in a place where there is out of the reach of people.

## 2. Technical Specifications

### Power Voltage:

180-240V~ 50/60Hz

### Power Consumption:

10W

### Light Source:

RGBA LED

### Beam Angle:

4°

### Control:

DMX Channel: 7 channels

Control Mode: DMX512, RDM

Firmware Upgrade via DMX link

### Construction:

Data In/Out: 3-pin XLR

Power In/Out: IEC In/Out

Protection Rating: IP20

### Features:

Compact design, light in weight

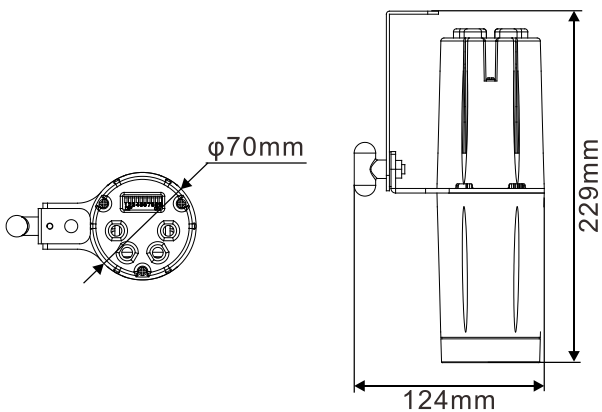
Narrow beam, high brightness

Dial switch to set address code

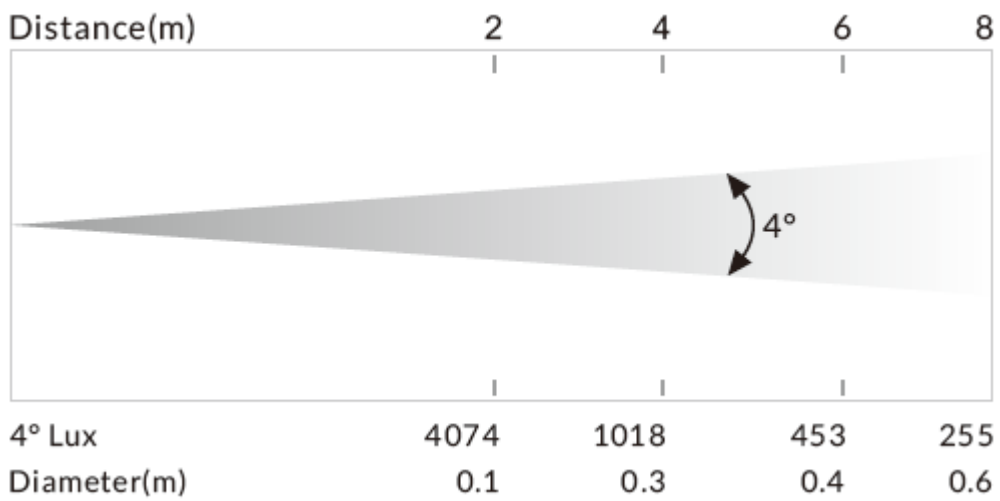
### Dimension/Weight:

70x229x124mm, 0.7kgs

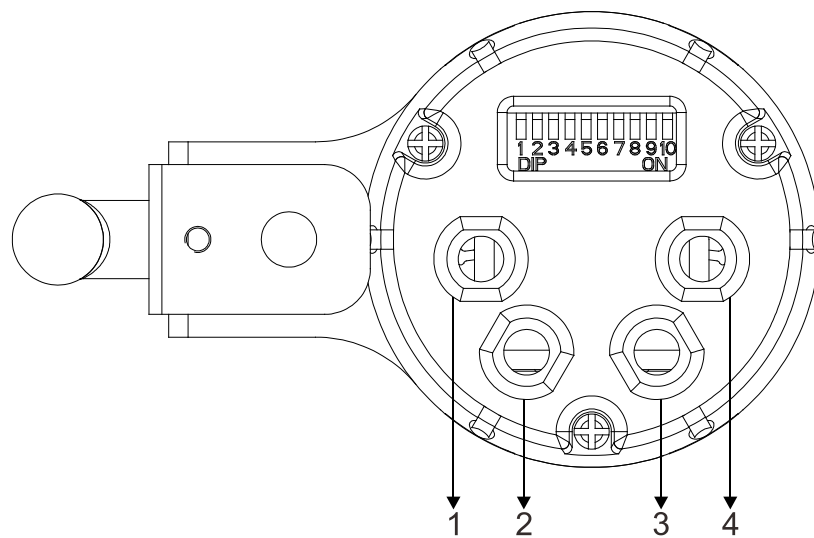
2.8"x9"x4.9" in, 1.5lbs



### Photometric Diagram:



### 3. Control Panel



**1. IEC IN:** To connect to supply power

**2. DMX IN:**

For DMX512 link, use 3-pin XLR cable to link the unit and DMX controller

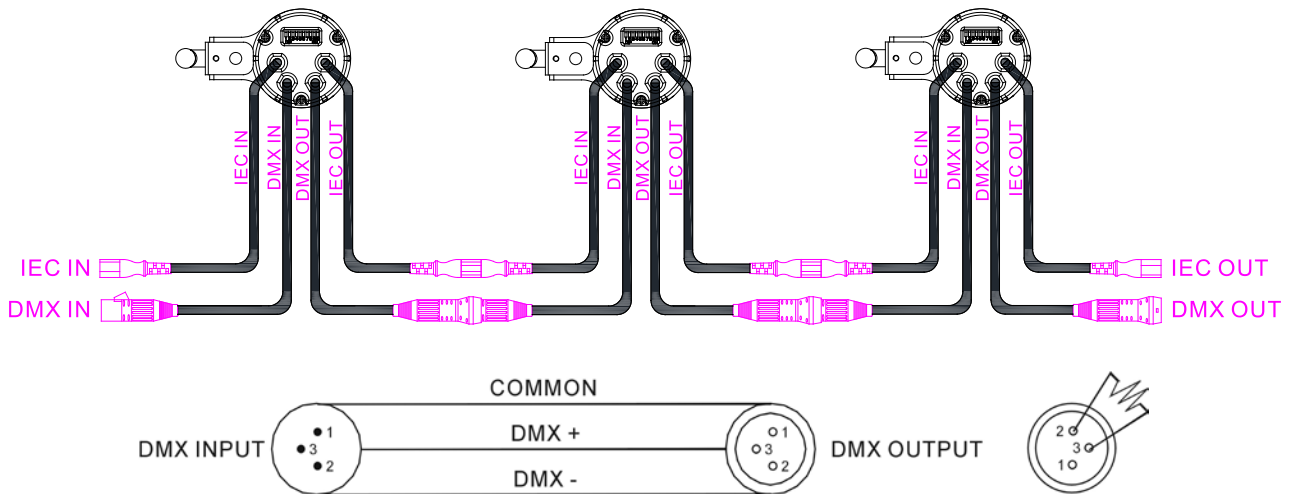
**3. DMX OUT:**

For DMX512 link, use 3-pin XLR cable to link the next units

**4. IEC OUT:** To connect to the next fixture

## 4. Control By Universal DMX Controller

### 4.1 DMX512 Connection



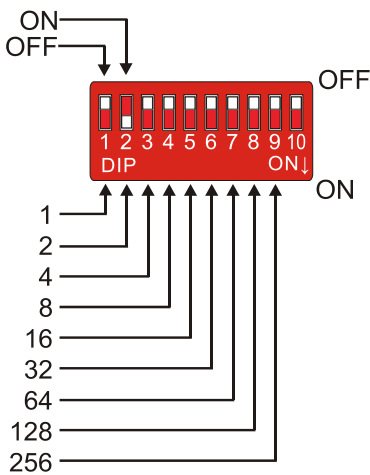
1. At last unit, the DMX cable has to be terminated with a terminator. Solder a 120-ohm 1/4W resistor between pin 2(DMX-) and pin 3(DMX+) into a 3-pin XLR-plug and plug it in the DMX-output of the last unit.
2. Connect the unit together in a “daisy chain” by XLR plug cable from the output of the unit to the input of the next unit. The cable can only be used in series and cannot be connected in parallel. DMX 512 is a very high-speed signal. Inadequate or damaged cables, soldered joints or corroded connectors can easily distort the signal and shut down the system.
3. The DMX output and input connectors are pass-through to maintain the DMX circuit, when one of the units’ power is disconnected.
4. Each lighting unit needs to have a DMX address to receive the data by the controller. The address number is between 0-512.
5. The end of the DMX 512 system should be terminated to reduce signal errors.
6. 3 pin XLR connectors are more popular than 5 pins XLR.  
3 pin XLR: Pin 1: GND, Pin 2: Negative signal (-), Pin 3: Positive signal (+)  
5 pin XLR: Pin 1: GND, Pin 2: Negative signal (-), Pin 3: Positive signal (+), Pin4, Pin5 not used.

## 4.2 Address Setting

If you use a universal DMX controller to control the units, you have to set DMX address from 1 to 512 so that the units can receive DMX signal.

Please refer to the following diagram to address your DMX512 channel for the units.

### DIPSWITCH SETTINGS



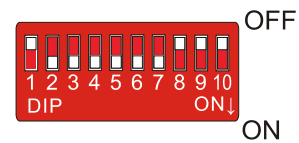
#### Example

DMX address = 126

$$126 = 64 + 32 + 16 + 8 + 4 + 2$$

Turn the DIP switches corresponding to the address 64, 32, 16, 8, 4, 2 down to the "ON" position

All other switches to the "OFF" position



## 4.3 DMX512 Configuration

Please control the fixture by referring to the configurations below

#### Attentions:

The unit will maintain the last condition until reset if you cut-off the DMX signal.

#### 7 Channels:

| CHANNEL | VALUE                         | FUNCTION   |
|---------|-------------------------------|--|
| 1       | 000-255                       | <b>RED</b><br>0%→100%                                      |
| 2       | 000-255                       | <b>GREEN</b><br>0%→100%                                    |
| 3       | 000-255                       | <b>BLUE</b><br>0%→100%                                     |
| 4       | 000-255                       | <b>AMBER</b><br>0%→100%                                    |
| 5       | 000-007<br>008-015<br>016-131 | <b>STROBE</b><br>Close<br>Open<br>Strobe from Slow to Fast |



|          |   |   |
|----------|---|---|
|          | 132-139<br>140-181<br>182-189<br>190-231<br>232-239<br>240-247<br>248-255 | Open<br>Fast Close Slow Open<br>Open<br>Fast Open Slow Close<br>Open<br>Random Strobe<br>Open |
| <b>6</b> | 000-255   | <b>DIMMER</b><br>0%→100%  |
| <b>7</b> | 000-255   | <b>DIMMER FINE</b>  |

### ***RDM FUNCTIONS***

Select the MANUFACTURER menu to display the manufacturer of the fixture.

Select the SOFTWARE VERSION menu and the program version number of the fixture will be displayed.

Select the DMX START ADDRESS menu to change the DMX 512 address (0-512).

Select the DEVICE MODEL DESCRIPTION menu to display the model of the fixture.

Select the DEVICE LABEL menu to change the model of the fixture.

Select the DEVICE HOURS menu to display the running time of the fixture.

## **5. Troubleshooting**

Following are a few common problems that may occur during operation. Here are some suggestions for troubleshooting:

### **A. The unit does not work, no light and the fan does not work**

1. Check the connected power.
2. Measure the voltage.
3. Check the power indicator to see whether it can be lit up or not.

### **B. Not responding to the DMX controller**

1. Check whether the DMX connectors and the DMX cables are connected correctly.
2. Check whether the DMX address is correctly set.
3. If the intermittent DMX signal problem occurs, check whether the XLR socket and the signal cable are well connected.
4. Try it with another DMX controller.
5. Check whether the DMX cables run near or alongside to the high-voltage cables, which may damage or interfere with the signal circuit.

## **6. Fixture Cleaning**

It is absolutely essential that the fixture is kept clean to ensure the maximum light-output and allow the fixture to function reliably throughout its life. The fixture must be cleaned regularly to avoid dust, dirt and smoke-fluid residues building up on or within the fixture. The cleaning frequency depends on the application environment. Clean the fixture immediately if the dust enters it to avoid damage to the optical lens due to excessive dust.

- A soft lint-free cloth moistened with any good glass cleaning fluid is recommended, under no circumstances should solvents be used.
- Always dry the parts carefully.
- Clean the external optical lens at least every 20 days and the internal optical lens every 30 days.



**Innovation, Quality, Performance**