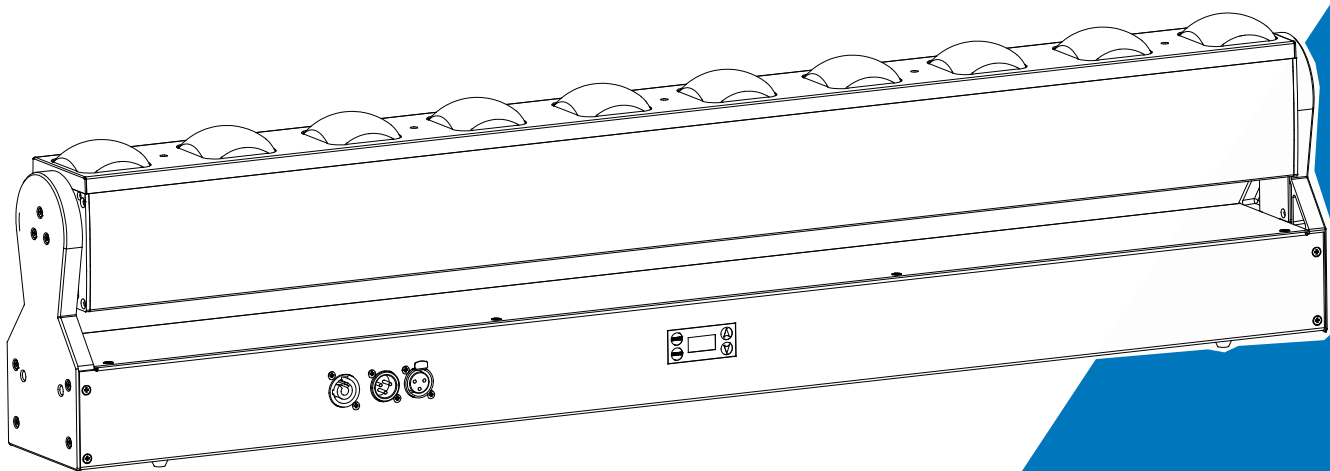




DOTCHAIN 300



User Manual

Please read the instruction carefully before use

CONTENTS

1. Safety Instructions	2
2. Technical Specifications.....	4
3. Control Panel	6
4. How to Set the Unit.....	6
4.1 Main Function	6
4.2 Home Position Adjustment.....	13
5. Control by Universal DMX Controller.....	15
5.1 DMX512 Connections.....	15
5.2 Address Setting	16
5.3 DMX512 Configuration.....	16
6. Error Information	23
7. Troubleshooting.....	24
8. Fixture Cleaning	25

1. Safety Instructions



Please read the instruction carefully which includes important information about the installation, usage and maintenance.

WARNING

Please keep this User Manual for future consultation. If you sell the unit to another user, be sure that they also receive this manual.

Important:

Damages caused by the disregard of this user manual are not subject to warranty. The dealer will not accept liability for any resulting defects or problems.

- Unpack and check carefully to ensure that there is no transportation damage before using the unit.
- This product is for indoor use only. Use only in a dry location.
- DO install and operate by qualified operator.
- DO NOT allow children to operate the fixture.
- Use safety chain when fixing the unit. Handle the unit by carrying its base instead of head only.
- The unit must be installed in a location with adequate ventilation, at least 50cm from adjacent surfaces.
- Be sure that no ventilation slots is blocked, otherwise the unit will be overheated.
- Before operation, ensure that you are connecting this product to the proper voltage in accordance with the specifications in this manual or on the product's specification label.
- It's important to ground the yellow/green conductor to earth in order to avoid electric shock.
- Minimum ambient temperature TA: 0°C. Maximum ambient temperature TA: 40°C. Do not operate this product at a lower or higher temperature.
- DO NOT connect the device to any dimmer pack.
- Keep flammable materials away from the fixture while operating to avoid fire hazard.
- Make sure the power cord is not crimped or damaged; replace it immediately if damaged.
- Unit's surface temperature may reach up to 55°C. DO NOT touch the housing bare-handed during its operation.
- Avoid any flammable liquids, water or metal from entering the unit. Once it happens, cut off

the mains power immediately.

- DO NOT operate in a dirty or dusty environment. DO clean the fixture regularly.
- DO NOT touch any wire during operation as there might be a hazard of electric shock.
- Avoid entanglement of the power cord with other wires.
- The minimum distance to objects/surface must be more than 0.5 meters.
- In the event of serious operating problem, stop using the unit immediately.
- Never turn on and off the unit time after time.
- The housing, the lenses, or the ultraviolet filter must be replaced if they are visibly damaged.
- DO NOT open the housing as there are no user serviceable parts inside.
- DO NOT attempt to operate this unit if it becomes damaged. DO NOT attempt any repairs yourself. Repairs carried out by unskilled people can lead to damage or malfunction. Please contact the nearest authorized technical assistance center if needed.
- Disconnect this product from its power source before servicing.
- DO use the original packaging if the device is to be transported.
- Avoid direct eye exposure to the light source while the product is on.
- DO NOT operate this product if you see damage on the housing, shields, or cables. Have the damaged parts replaced by an authorized technician at once.

Installation:

The fixture should be fixed on the clamp. Always ensure that the unit is firmly fixed to avoid vibration and slipping off during operation. Ensure that the trussing or area of installation must be able to hold 10 times the weight without any deformation. Always install a safety cable that can hold at least 12 times the weight of the fixture when installing.

DO install and operate by qualified operator. It must be installed in a place where there is out of the reach of people.

2. Technical Specifications

Power Voltage:

180-240V~ 50/60Hz

Power Consumption:

180W

Light Source:

10x20W RGBW LED

Beam Angle:

2°

Fixture Rotation Angle Range:

0°-220°

Control:

DMX Channel: 46/14/9 Channels

Control Mode: DMX512, RDM

Firmware Upgrade via DMX link

Construction:

Display: OLED display

Data In/Out: 3-pin XLR (5-pin XLR is optional)

Power In/Out: Power Connector in

Protection Rating: IP20

Features:

10 LEDs can be controlled individually

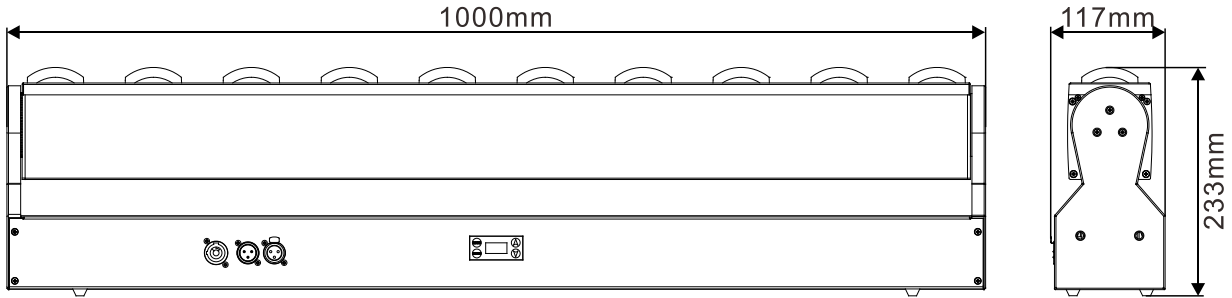
Smooth dimming from 0-100%

Outstanding strobe effect with variable speed

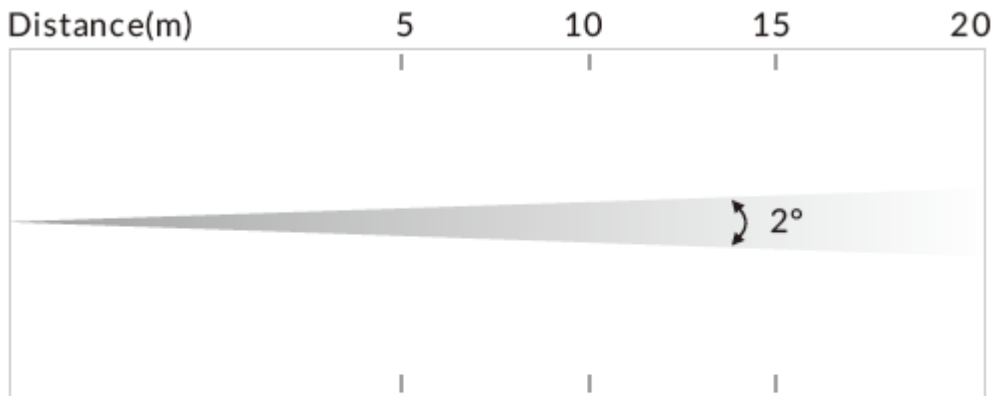
Dimension/Weight:

1000x117x233mm, 10.4kgs

39.4"x4.6"x9.2" in, 22.9lbs

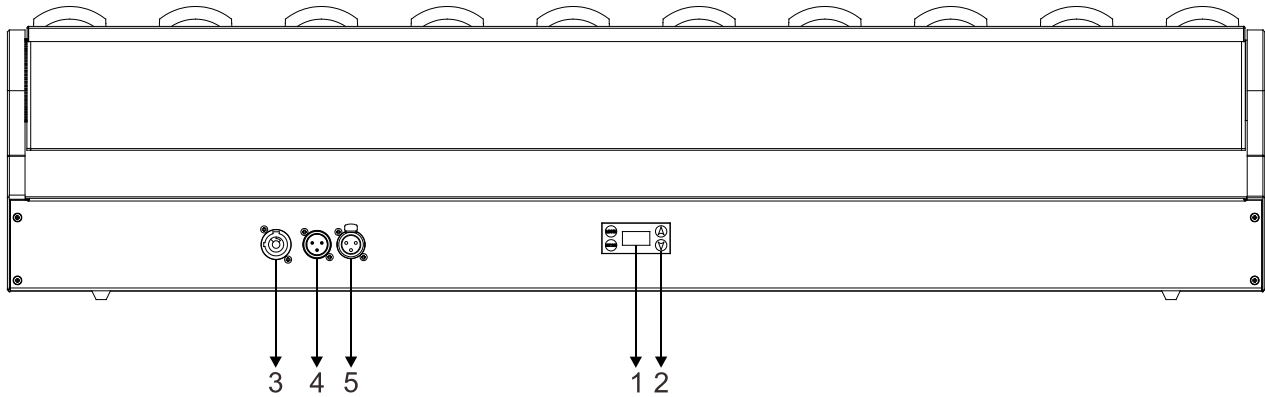


Photometric Diagram:



Distance(m)	5	10	15	20
2° R Lux	4,770	1,130	524	298
2° G Lux	11,200	2,620	1,100	700
2° B Lux	1,800	355	146	113
2° W Lux	12,571	3,143	1,397	786
Diameter(m)	0.16	0.35	0.52	0.7

3. Control Panel



1. DISPLAY: To show the various menus and the selected functions

2. Button:

MENU	To select the programming functions
▲ UP	To go backward in the selected functions
▼ DOWN	To go forward in the selected functions
ENTER	To confirm the selected functions

3. POWERCON IN: To connect to supply power

4. DMX IN:

For DMX512 link, use 3-pin XLR cable to link the unit and DMX controller (5-pin XLR is optional)

5. DMX OUT:

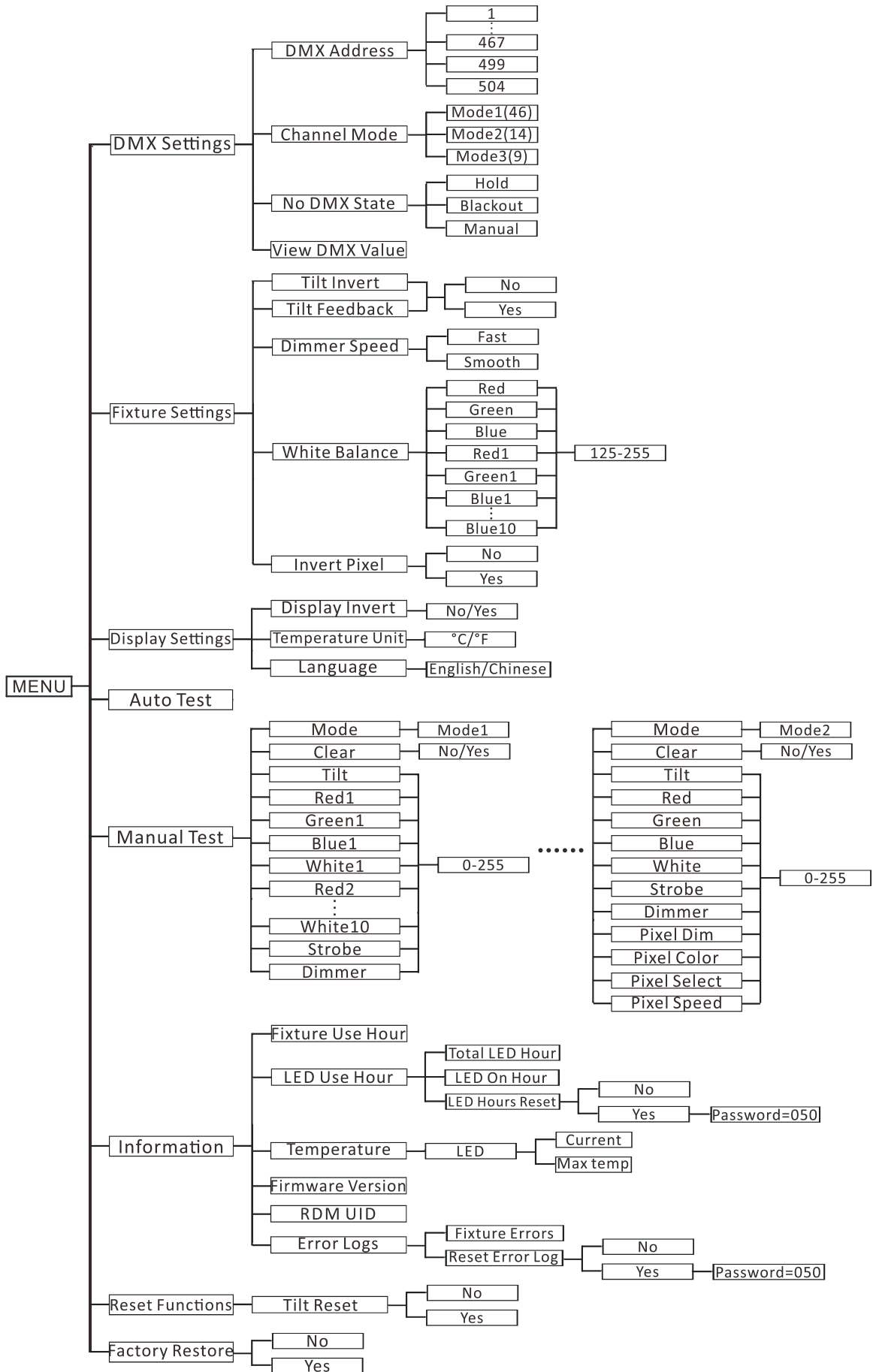
For DMX 512 link, use 3-pin XLR cable to link the next units (5-pin XLR is optional)

4. How to Set the Unit

4.1 Main Function

Turn on the unit, press the MENU button into menu mode, and press the UP/DOWN button until the required function is shown on the monitor. Select the function by pressing the ENTER button. Use the UP/DOWN button to choose the submenu, press the ENTER button to store and automatically return to the last menu. Press the MENU button or let the unit idle 30 seconds to exit menu mode.

The main functions are shown below:



DMX Settings

To select **DMX Settings**, press the **ENTER** button to confirm, use the **UP/DOWN** button to select **DMX Address, Channel Mode, No DMX State** or **View DMX Value**.

DMX Address

To select **DMX Address**, press the **ENTER** button to confirm. Use the **UP/DOWN** button to adjust the address from 001 to 467/499/504, press the **ENTER** button to store. Press the **MENU** button back to the last menu or let the unit idle 30 seconds to exit menu mode.

Channel Mode

To select **Channel Mode**, press the **ENTER** button to confirm. Use the **UP/DOWN** button to select **Mode1(46), Mode2(14)** or **Mode3(9)**, press the **ENTER** button to store. Press the **MENU** button back to the last menu or let the unit idle 30 seconds to exit menu mode.

No DMX State

To select **No DMX State**, press the **ENTER** button to confirm. Use the **UP/DOWN** button to select **Hold**(fixture continues to obey the last command it received Via DMX if DMX signal stops), **Blackout**(fixture blacks out if DMX signal stops) or **Manual**(the fixture will automatically read the DMX value in the “Manual Test” menu for operation after selecting this mode), press the **ENTER** button to store. Press the **MENU** button back to the last menu or let the unit idle 30 seconds to exit menu mode.

View DMX Value

To select **View DMX Value**, press the **ENTER** button to confirm. Use the **UP/DOWN** button to view the DMX channel value. Press the **MENU** button back to the last menu or let the unit idle 30 seconds to exit menu mode.

Fixture Settings

To select **Fixture Settings**, press the **ENTER** button to confirm. Use the **UP/DOWN** buttons to select **Tilt Invert, Tilt Feedback, Dimmer Speed, White Balance** or **Invert Pixel**.

Tilt Invert

To select **Tilt Invert**, press the **ENTER** button to confirm. Use the **UP/DOWN** button to select **No** or **Yes**, press the **ENTER** button to store. Press the **MENU** button back to the last menu or let the unit

idle 30 seconds to exit menu mode.

Tilt Feedback

To select **Tilt Feedback**, press the **ENTER** button to confirm. Use the **UP/DOWN** button to select **No** or **Yes**, press the **ENTER** button to store. Press the **MENU** button back to the last menu or let the unit idle 30 seconds to exit menu mode.

Dimmer Speed

To select **Dimmer Speed**, press the **ENTER** button to confirm. Use the **UP/DOWN** button to select **Fast** or **Smooth**, press the **ENTER** button to store. Press the **MENU** button back to the last menu or let the unit idle 30 seconds to exit menu mode.

White Balance

To select **White Balance**, press the **ENTER** button to confirm. Use the **UP/DOWN** button to select **Red, Green, Blue, Red1, Green1, Blue1.....** or **Blue10**, press the **ENTER** button to confirm, use the **UP/DOWN** button to adjust the value from **125** to **255**, press the **ENTER** button to store. Press the **MENU** button back to the last menu or let the unit idle 30 seconds to exit menu mode.

Invert Pixel

To select **Invert Pixel**, press the **ENTER** button to confirm. Use the **UP/DOWN** button to select **No** or **Yes**, press the **ENTER** button to store. Press the **MENU** button back to the last menu or let the unit idle 30 seconds to exit menu mode.

Display Settings

To select **Display Settings**, press the **ENTER** button to confirm, use the **UP/DOWN** button to select **Display Invert, Temperature Unit** or **Language**.

Display Invert

Select **Display Invert**, press the **ENTER** button to confirm. Use the **UP/DOWN** button to select **No**(normal display) or **Yes**(invert display), press the **ENTER** button to store. Press the **MENU** button back to the last menu or let the unit idle 30 seconds to exit menu mode.

Temperature Unit

Select **Temperature Unit**, press the **ENTER** button to confirm. Use the **UP/DOWN** button to select **°C** or **°F**, press the **ENTER** button to store. Press the **MENU** button back to the last menu or

let the unit idle 30 seconds to exit menu mode.

Language

Select **Language**, press the **ENTER** button to confirm. Use the **UP/DOWN** button to select **English** or **Chinese**, press the **ENTER** button to store. Press the **MENU** button back to the last menu or let the unit idle 30 seconds to exit menu mode.

Auto Test

Select **Auto Test**, press the **ENTER** button to confirm, the unit will run built-in programs to automatically test its functions. Press the **MENU** button back to the last menu or exit menu mode after auto test.

Manual Test

Select **Manual Test**, press the **ENTER** button to confirm, the present channel will show on the display, use the **UP/DOWN** button to select **Mode(1 or 2)**, press the **ENTER** button to confirm. When **Mode 1** is selected, use the **UP/DOWN** button to select **Clear, Tilt, Red1, Green1, Blue1, White1, Red2.....White10, Strobe** or **Dimmer**, press the **ENTER** button to confirm. Use the **UP/DOWN** buttons to specify a value for the chosen effect from **0** to **255**, press the **ENTER** button to store. When **Mode 2** is selected, use the **UP/DOWN** button to select **Clear, Tilt, Red, Green, Blue, White, Strobe, Dimmer, Pixel Dim, Pixel Color, Pixel Select** or **Pixel Speed**, press the **ENTER** button to confirm. Use the **UP/DOWN** buttons to specify a value for the chosen effect from **0** to **255**, press the **ENTER** button to store, the fixture will run as the channel value indicates. Press the **MENU** button back to the last menu or exit menu mode idling 30 seconds.

(The fixture will return to the previous DMX state after exiting Manual Test menu and the Manual Test parameters will be automatically saved after power off and restart.)

Information

To select **Information**, press the **ENTER** button to confirm, use the **UP/DOWN** button to select **Fixture Use Hour, LED Use Hour, Temperature, Firmware Version, RDM UID** or **Error Logs**.

Fixture Use Hour

Select **Fixture Use Hour**, press the **ENTER** button to confirm, fixture use hour will show on the display, press the **MENU** button to exit.

LED Use Hour

To select **LED Use Hour**, press the **ENTER** button to confirm, use the **UP/DOWN** button to select **Total LED Hour**, **LED On Hour** or **LED Hours Reset**, press the **ENTER** button to store. Select **LED Hours Reset**, press the **ENTER** button to confirm. Use the **UP/DOWN** button to select **No** or **Yes**, press the **ENTER** button to store. Select **Yes**, press the **ENTER** button to confirm. Use the **UP/DOWN** button to set the password **050** to reset the LED hours, press the **ENTER** button to store. Press the **MENU** button back to the last menu or exit menu mode let the unit idle 30 seconds.

Temperature

Select **Temperature**, press the **ENTER** button to confirm, use the **UP/DOWN** button to select **LED**, press the **ENTER** button to store, LED's current temperature or max temperature will show on the display, press the **MENU** button to exit.

Firmware Version

Select **Firmware Version**, press the **ENTER** button to confirm, firmware version will show on the display, press the **MENU** button back to exit.

RDM UID

Select **RDM UID**, press the **ENTER** button to confirm, RDM UID will show on the display, press the **MENU** button back to exit.

Error Logs

Select **Error Logs**, press the **ENTER** button to confirm. Use the **UP/DOWN** button to select **Fixture Errors** or **Reset Error Log**, press the **ENTER** button to store. Select **Reset Error Log**, press the **ENTER** button to confirm. Use the **UP/DOWN** button to select **No** or **Yes**, press the **ENTER** button to store. Select **Yes**, press the **ENTER** button to confirm. Use the **UP/DOWN** button to set the password **050**, press the **ENTER** button to store. Press the **MENU** button back to the last menu or let the unit idle 30 seconds to exit menu mode.

Reset Functions

To select **Reset Functions**, press the **ENTER** button to confirm, use the **UP/DOWN** button to select **Tilt Reset**.

Tilt Reset

Select **Tilt Reset**, press the **ENTER** button to confirm, use the **UP/DOWN** button to select **No** or **Yes**(the unit will run built-in program to reset tilt to its home positions), press the **ENTER** button to store. Press the **MENU** button to exit.

Factory Restore

To select **Factory Restore**, press the **ENTER** button to confirm, use the **UP/DOWN** button to select **No**(normal) or **Yes** (the fixture will reset to factory settings), press **ENTER** button to store. Press the **MENU** button to exit.

RDM FUNCTIONS

Select the MANUFACTURER menu to display the manufacturer of the fixture.

Select the SOFTWARE VERSION menu and the program version number of the fixture will be displayed.

Select the DMX START ADDRESS menu to change the DMX 512 address (001-512).

Select the DEVICE MODEL DESCRIPTION menu to display the model of the fixture.

Select the DEVICE LABEL menu to change the model of the fixture.

Select the DMX PERSONALITY menu to set the channel mode of the fixture (46/14/9 channel).

Select the DMX PERSONALITY DESCRIPTION menu to display the current channel mode of the fixture.

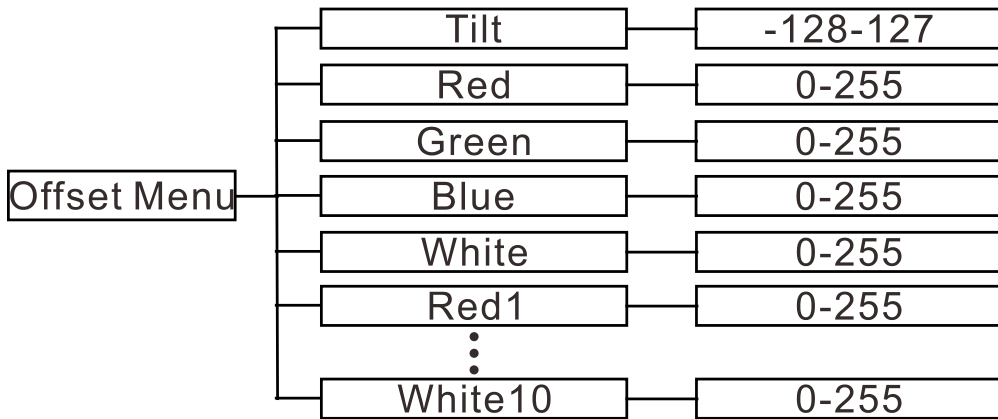
Select the DEVICE HOURS menu to display the running time of the fixture.

Select the TILT INVERT menu and the fixture will run the tilt invert mode.

Select the RESET DEVICE menu, the WARM RESET/COLD RESET option will be displayed. When WARM RESET is selected, the fixture will start a warm reset, and exit when COLD RESET is selected.

4.2 Home Position Adjustment

Press the MENU button into menu mode, then press the ENTER button for about 3 seconds into offset mode to adjust the home position. Select the function by pressing the ENTER button. Use the UP/DOWN button to choose the submenu, press the ENTER button to store and automatically return to the last menu. Press MENU button to exit.



Tilt

Enter offset mode, Select **Tilt**, press the **ENTER** button to confirm, the present position will blink on the display, use the **UP/DOWN** button to offset the value from -128 to 127, press the **ENTER** button to store. Press the **MENU** button to exit.

Red

Enter offset mode, Select **Red**, press the **ENTER** button to confirm, the present position will blink on the display, use the **UP/DOWN** button to offset the value from 0 to 255, press the **ENTER** button to store. Press the **MENU** button to exit.

Green

Enter offset mode, Select **Green**, press the **ENTER** button to confirm, the present position will blink on the display, use the **UP/DOWN** button to offset the value from 0 to 255, press the **ENTER** button to store. Press the **MENU** button to exit.

Blue

Enter offset mode, Select **Blue**, press the **ENTER** button to confirm, the present position will blink on the display, use the **UP/DOWN** button to offset the value from 0 to 255, press the **ENTER** button to store. Press the **MENU** button to exit.

White

Enter offset mode, Select **White**, press the **ENTER** button to confirm, the present position will blink on the display, use the **UP/DOWN** button to offset the value from 0 to 255, press the **ENTER** button to store. Press the **MENU** button to exit.

Red1

Enter offset mode, Select **Red1**, press the **ENTER** button to confirm, the present position will blink on the display, use the **UP/DOWN** button to offset the value from 0 to 255, press the **ENTER** button to store. Press the **MENU** button to exit.

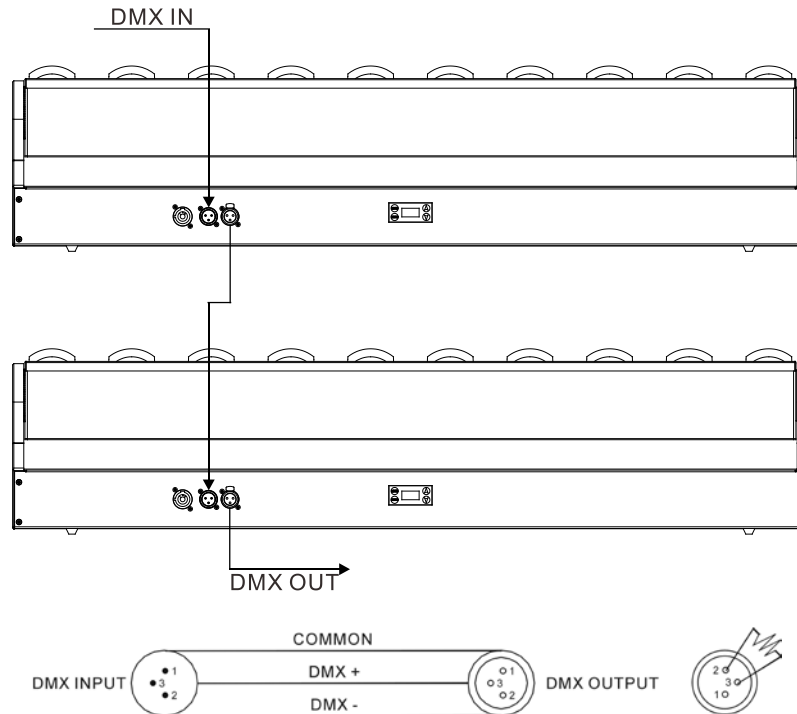
.....

White10

Enter offset mode, Select **White10**, press the **ENTER** button to confirm, the present position will blink on the display, use the **UP/DOWN** button to offset the value from 0 to 255, press the **ENTER** button to store. Press the **MENU** button to exit.

5. Control by Universal DMX Controller

5.1 DMX512 Connections



1. At last unit, the DMX cable has to be terminated with a terminator. Solder a 120-ohm 1/4W resistor between pin 2(DMX-) and pin 3(DMX+) into a 3-pin XLR-plug and plug it in the DMX-output of the last unit.
2. Connect the unit together in a “daisy chain” by XLR plug cable from the output of the unit to the input of the next unit. The cable can only be used in series and cannot be connected in parallel. DMX 512 is a very high-speed signal. Inadequate or damaged cables, soldered joints or corroded connectors can easily distort the signal and shut down the system.
3. The DMX output and input connectors are pass-through to maintain the DMX circuit, when one of the units’ power is disconnected.
4. Each lighting unit needs to have a DMX address to receive the data by the controller. The address number is between 1-512.
5. The end of the DMX 512 system should be terminated to reduce signal errors.
6. 3 pin XLR connectors are more popular than 5 pins XLR.
 - 3 pin XLR: Pin 1: GND, Pin 2: Negative signal (-), Pin 3: Positive signal (+)
 - 5 pin XLR: Pin 1: GND, Pin 2: Negative signal (-), Pin 3: Positive signal (+), Pin4, Pin5 not used.

5.2 Address Setting

If you use a universal DMX controller to control the units, you have to set DMX address from 1 to 512 so that the units can receive DMX signal.

Press the MENU button to enter menu mode, select DMX Settings, press the ENTER button to confirm, use the UP/DOWN button to select DMX Address, press the ENTER button to confirm, the present address will blink in the display, use the UP/DOWN button to adjust the address from 001 to 512, press the ENTER button to store. Press the MENU button back to the last menu or let the unit idle 30 seconds to exit menu mode.

Please refer to the following diagram to address your DMX512 channel for the first 4 units.

Channel Mode	Unit 1 Address	Unit 2 Address	Unit 3 Address	Unit 4 Address
46 Channel	1	47	93	139
14 Channel	1	15	29	43
9 Channel	1	10	19	28

5.3 DMX512 Configuration

Please control the fixture by referring to the configurations below

Attentions:

1. The unit will maintain the last condition until reset if you cut-off the DMX signal.
2. For the channel Function, keep the value for about 3 seconds, then the corresponding function will take into effect.

46 Channels Mode(Mode 1):

CHANNEL	VALUE	FUNCTION
1	000-255	TILT 0°→220°
2	000-255	TILT FINE
3	000-255	TILT SPEED Fast to Slow
4		RED1

	000-255	0%→100%
5	000-255	GREEN1 0%→100%
6	000-255	BLUE1 0%→100%
7	000-255	WHITE1 0%→100%
8	000-255	RED2 0%→100%
9	000-255	GREEN2 0%→100%
10	000-255	BLUE2 0%→100%
11	000-255	WHITE2 0%→100%
12	000-255	RED3 0%→100%
13	000-255	GREEN3 0%→100%
14	000-255	BLUE3 0%→100%
15	000-255	WHITE3 0%→100%
16	000-255	RED4 0%→100%
17	000-255	GREEN4 0%→100%
18	000-255	BLUE4 0%→100%
19	000-255	WHITE4 0%→100%
20	000-255	RED5 0%→100%
21	000-255	GREEN5 0%→100%
22	000-255	BLUE5 0%→100%
23	000-255	WHITE5 0%→100%
24	000-255	RED6 0%→100%

25	000-255	GREEN6 0%→100%
26	000-255	BLUE6 0%→100%
27	000-255	WHITE6 0%→100%
28	000-255	RED7 0%→100%
29	000-255	GREEN7 0%→100%
30	000-255	BLUE7 0%→100%
31	000-255	WHITE7 0%→100%
32	000-255	RED8 0%→100%
33	000-255	GREEN8 0%→100%
34	000-255	BLUE8 0%→100%
35	000-255	WHITE8 0%→100%
36	000-255	RED9 0%→100%
37	000-255	GREEN9 0%→100%
38	000-255	BLUE9 0%→100%
39	000-255	WHITE9 0%→100%
40	000-255	RED10 0%→100%
41	000-255	GREEN10 0%→100%
42	000-255	BLUE10 0%→100%
43	000-255	WHITE10 0%→100%
44	000-007 008-015	STROBE Close Open

	016-131 132-139 140-181 182-189 190-231 232-239 240-247 248-255	Strobe from Slow to Fast Open Fast Close Slow Open Open Fast Open Slow Close Open Random Strobe Open
45	000-255	DIMMER 0%→100%
46	000-029 030-039 040-049 050-059 060-069 070-079 080-089 090-099 100-109 110-119 120-139 140-149 150-159 160-199 200-209 210-219 220-229 230-255	FUNCTION Null Null Null Null Null Null Null Null Null Null Null Null Null Null Null Tilt Reset Dimmer Speed: Fast Dimmer Speed: Smooth Null

14 Channels Mode(Mode 2):

CHANNEL	VALUE	FUNCTION
1	000-255	TILT 0°→220°
2	000-255	TILT FINE
3	000-255	TILT SPEED Fast to Slow
4	000-255	RED 0%→100%

5	000-255	GREEN 0%→100%
6	000-255	BLUE 0%→100%
7	000-255	WHITE 0%→100%
8	000-007 008-015 016-131 132-139 140-181 182-189 190-231 232-239 240-247 248-255	STROBE Close Open Strobe from Slow to Fast Open Fast Close Slow Open Open Fast Open Slow Close Open Random Strobe Open
9	000-255	DIMMER 0%→100%
10	000-255	PIXEL EFFECT DIMMER 0%→100%
11	000-009 010-014 015-019 020-024 025-029 030-034 035-039 040-044 045-049 050-054 055-059 060-064 065-069 070-074 075-079 080-084 085-089 090-094 095-099 100-104 105-109	PIXEL EFFECT COLOR Open LEE 790-Moroccan Pink LEE 157-Pink LEE 332-Special Rose Pink LEE 328-Follies Pink LEE 345-Fuchsia Pink LEE 194-Surprise Pink LEE 181-Congo Blue LEE 071-Tokyo Blue LEE 120-Deep Blue LEE 079-Just Blue LEE 132-Medium Blue LEE 200-Double CT Blue LEE 161-State Blue LEE 201-Full CT Blue LEE 202-Half CT Blue LEE 117-Steel Blue LEE 353-Lighter Blue LEE 118-Light Blue LEE 116-Medium Blue Green LEE 124-Dark Green

	110-114 115-119 120-124 125-129 130-134 135-139 140-144 145-149 150-154 155-159 160-164 165-169 170-174 175-179 180-201 202-207 208-229 230-234 235-239 240-244 245-249 250-255	LEE 139-Primary Green LEE 089-Moss Green LEE 122-Fern Green LEE 738-JAS Green LEE 088-Lime Green LEE 100-Spring Yellow LEE 104-Deep Amber LEE 179-Chrome Orange LEE 105-Orange LEE 021-Gold Amber LEE 778-Millennium Gold LEE 135-Deep Gold Amber LEE 164-Flame Red Open Clockwise Rotation, Fast to Slow Stop Counter-clockwise Rotation, Slow to Fast Open Random Color: Fast Random Color: Medium Random Color: Slow Open
<p style="text-align: center;">12</p>	000-003 004-007 008-011 012-015 016-019 020-023 024-027 028-031 032-035 036-039 040-043 044-047 048-051 052-055 056-059 060-063 064-067 068-071 072-075 076-079 080-083	<p style="text-align: center;">PIXEL EFFECT</p> Open Built-in Effect1 Built-in Effect2 Built-in Effect3 Built-in Effect4 Built-in Effect5 Built-in Effect6 Built-in Effect7 Built-in Effect8 Built-in Effect9 Built-in Effect10 Built-in Effect11 Built-in Effect12 Built-in Effect13 Built-in Effect14 Built-in Effect15 Built-in Effect16 Built-in Effect17 Built-in Effect18 Built-in Effect19 Built-in Effect20

	084-087 088-091 092-095 096-099 100-103 104-107 108-111 112-115 116-119 120-123 124-127 128-131 132-135 136-255	Built-in Effect21 Built-in Effect22 Built-in Effect23 Built-in Effect24 Built-in Effect25 Built-in Effect26 Built-in Effect27 Built-in Effect28 Built-in Effect29 Built-in Effect30 Built-in Effect31 Built-in Effect32 Built-in Effect33 Null
13	000 001-127 128-255	PIXEL EFFECT SPEED Null Slow to Fast without Fade Slow to Fast with Fade
14	000-029 030-039 040-049 050-059 060-069 070-079 080-089 090-099 100-109 110-119 120-139 140-149 150-159 160-199 200-209 210-219 220-229 230-255	FUNCTION Null Null Null Null Null Null Null Null Null Null Null Null Null Null Null Null Null Tilt Reset Dimmer Speed: Fast Dimmer Speed: Smooth Null

9 Channels Mode(Mode 3):

CHANNEL	VALUE	FUNCTION
1	000-255	TILT 0°→220°
2	000-255	TILT FINE
3	000-255	TILT SPEED Fast to Slow
4	000-255	RED 0%→100%
5	000-255	GREEN 0%→100%
6	000-255	BLUE 0%→100%
7	000-255	WHITE 0%→100%
8	000-007	STROBE Close
	008-015	Open
	016-131	Strobe from Slow to Fast
	132-139	Open
	140-181	Fast Close Slow Open
	182-189	Open
	190-231	Fast Open Slow Close
	232-239	Open
	240-247	Random Strobe
248-255	Open	
9	000-255	DIMMER 0%→100%

6. Error Information

Error codes are shown continuously in the display when the fixture fails and they will not disappear until the fixture is repaired.

1. Tilt Encode Error

Check whether the encoder on the tilt is damaged.

Check whether the lead connecting the encoder on the tilt and the PCB board is in poor contact or disconnected.

2. LED Timeout Use

3. LED Too Hot Off

When the fixture temperature reaches 81°C, it will automatically turn off to protect the fixture.

4. LED Temp. Error

Check whether the temperature detecting board is normal.

Check whether the components of the temperature detecting board are damaged.

Check whether the lead on the temperature detecting board is installed in place or disconnected.

7. Troubleshooting

Following are a few common problems that may occur during operation. Here are some suggestions for troubleshooting:

A. The unit does not work and no light

1. Check the connected power.
2. Measure the voltage.
3. Check the power indicator to see whether it can be lit up or not.

B. Not responding to the DMX controller

1. Check whether the DMX connectors and the DMX cables are connected correctly.
2. Check whether the DMX address is correctly set.
3. If the intermittent DMX signal problem occurs, check whether the XLR socket and the signal cable are well connected.
4. Try it with another DMX controller.
5. Check whether the DMX cables run near or alongside to the high-voltage cables, which may damage or interfere with the signal circuit.

C. One of the channels is not working well

1. The stepper motor might be damaged or the cable connected to the PCB might be broken.
2. The motor's drive IC on the PCB might be out of condition.

8. Fixture Cleaning

It is absolutely essential that the fixture is kept clean to ensure the maximum light-output and allow the fixture to function reliably throughout its life. The fixture must be cleaned regularly to avoid dust, dirt and smoke-fluid residues building up on or within the fixture. The cleaning frequency depends on the application environment. Clean the fixture immediately if the dust enters it to avoid damage to the optical lens due to excessive dust.

- A soft lint-free cloth moistened with any good glass cleaning fluid is recommended, under no circumstances should solvents be used.
- Always dry the parts carefully.
- Clean the external optical lens at least every 20 days.

Innovation, Quality, Performance