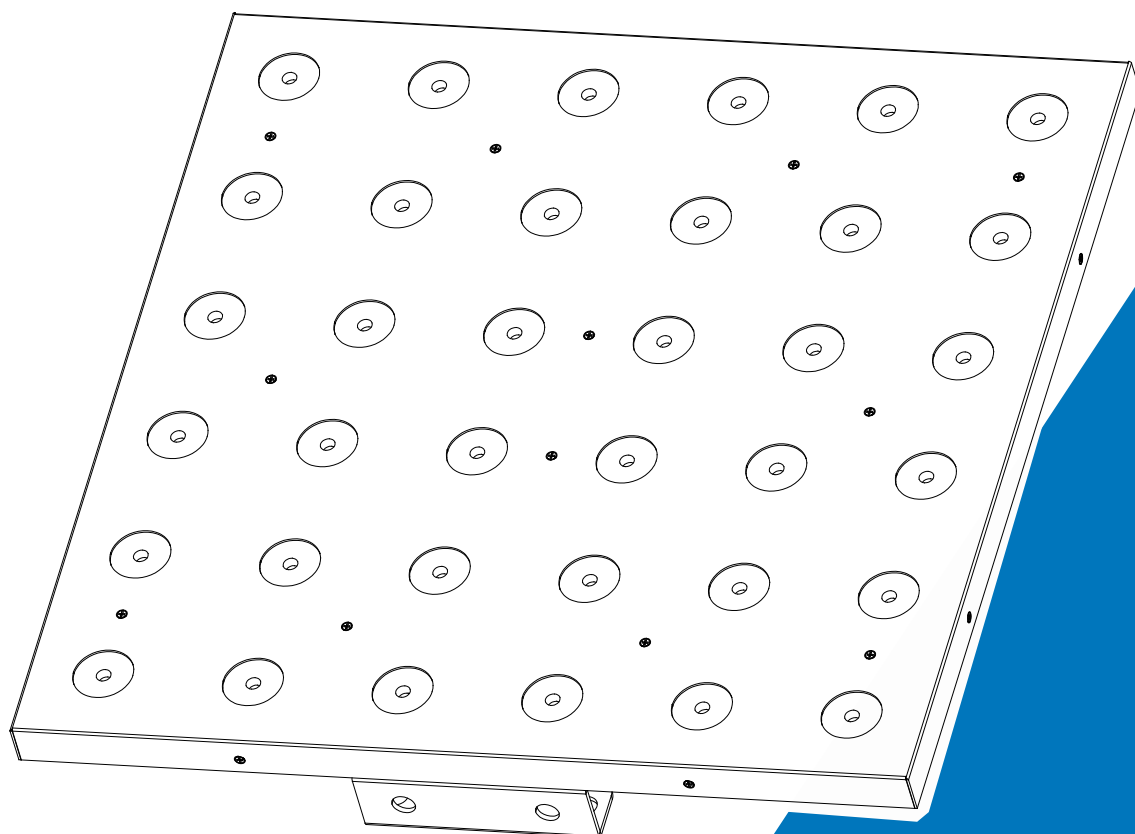


# Acme®

## ANIMA C



### User Manual

Please read the instruction carefully before use

## CONTENTS

1. Safety Instructions .....	2
2. Technical Specifications .....	3
3. Control Panel .....	5
4. Installation .....	5
5. How To Set The Unit.....	7
5.1 Main Function.....	7
5.2 Home Position Adjustment .....	12
6. Control By Universal DMX Controller .....	13
6.1 DMX512 Connection .....	13
6.2 Address Setting .....	14
6.3 DMX512 Configuration.....	15
7. Error Information .....	25
8. Troubleshooting.....	33
9. Fixture Cleaning .....	33

## 1. Safety Instructions



Please read the instruction carefully which includes important information about the installation, usage and maintenance.

### WARNING

Please keep this User Guide for future consultation. If you sell the unit to another user, be sure that they also receive this instruction manual.

### Important:

**Damages caused by the disregard of this user manual are not subject to warranty. The dealer will not accept liability for any resulting defects or problems.**

- Unpack and check carefully to ensure that there is no transportation damage before using the unit.
- This product is for indoor use only. Use only in a dry location.
- DO install and operate by qualified operator.
- DO NOT allow children to operate the fixture.
- Use safety chain when fixing the unit. Handle the unit by carrying its base instead of head only.
- The unit must be installed in a location with adequate ventilation, at least 50cm from adjacent surfaces.
- Be sure that no ventilation slots is blocked, otherwise the unit will be overheated.
- Before operation, ensure that you are connecting this product to the proper voltage in accordance with the specifications in this manual or on the product's specification label.
- It's important to ground the yellow/green conductor to earth in order to avoid electric shock.
- Minimum ambient temperature TA: 0°C. Maximum ambient temperature TA: 40°C. Do not operate this product at a lower or higher temperature.
- DO NOT connect the device to any dimmer pack.
- Keep flammable materials away from the fixture while operating to avoid fire hazard.
- Make sure the power cord is not crimped or damaged; replace it immediately if damaged.
- Unit's surface temperature may reach up to 60°C. DO NOT touch the housing bare-handed during its operation.
- Avoid any flammable liquids, water or metal from entering the unit. Once it happens, cut off the mains power immediately.

- DO NOT operate in a dirty or dusty environment. DO clean the fixture regularly.
- DO NOT touch any wire during operation as there might be a hazard of electric shock.
- Avoid entanglement of the power cord with other wires.
- The minimum distance to objects/surface must be more than 0.5 meters.
- In the event of serious operating problem, stop using the unit immediately.
- Never turn on and off the unit time after time.
- The housing, the lenses, or the ultraviolet filter must be replaced if they are visibly damaged.
- DO NOT open the housing as there are no user serviceable parts inside.
- DO NOT attempt to operate this unit if it becomes damaged. DO NOT attempt any repairs yourself. Repairs carried out by unskilled people can lead to damage or malfunction. Please contact the nearest authorized technical assistance center if needed.
- Disconnect this product from its power source before servicing.
- DO use the original packaging if the device is to be transported.
- Avoid direct eye exposure to the light source while the product is on.
- DO NOT operate this product if you see damage on the housing, shields, or cables. Have the damaged parts replaced by an authorized technician at once.

## 2. Technical Specifications

### Power Voltage:

100-240V~ 50/60Hz

### Power Consumption:

105W

### Light Source:

36x3W RGB LED

### Beam Angle:

4°(standard)/8°/12°/25°/45°

### Dimmer/Shutter:

Smooth dimmer from 0-100%; outstanding variable speed strobe effect

### Control:

DMX Channel: 108/15/11/3/44 Channels

Control Mode: DMX512, RDM

Firmware Upgrade via DMX link

**Construction:**

Display: OLED display

Data In/Out: 3-pin XLR (5-pin XLR is optional)

Power In/Out: Power Connector in/out

Protection Rating: IP20

**Features:**

Compact design, light in weight

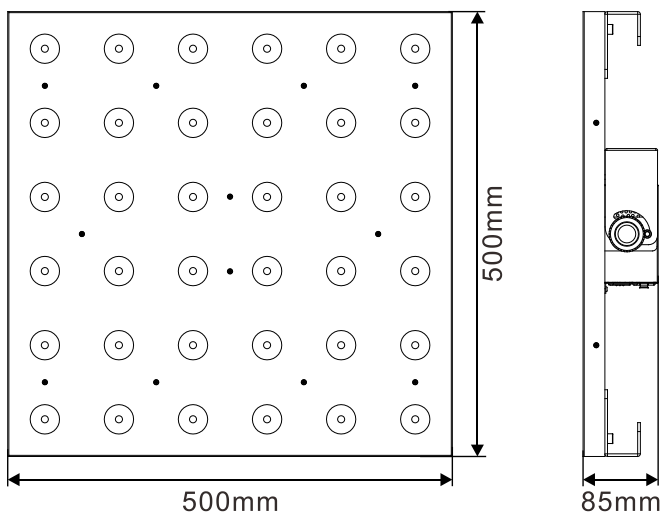
Multiple units can be split-jointed horizontally with connecting board

LED can be controlled pixel by pixel, delivering versatile effects

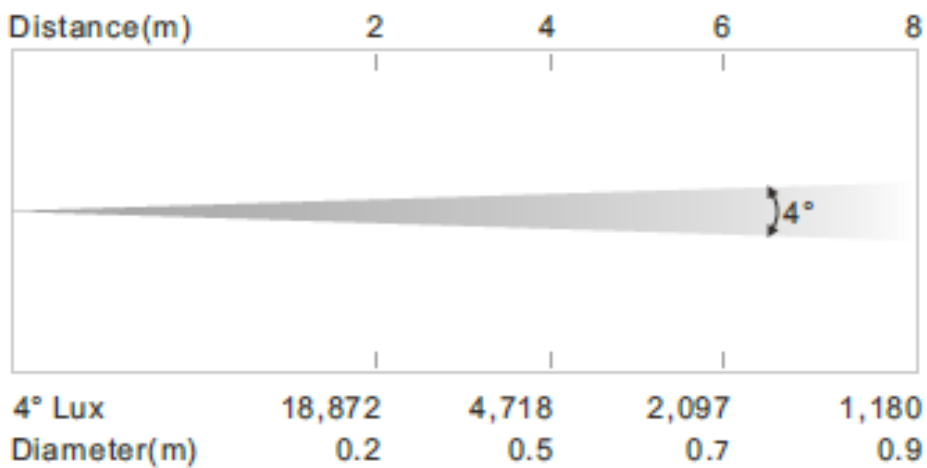
**Dimensions/ Weight:**

500x85x500mm, 9.3kgs

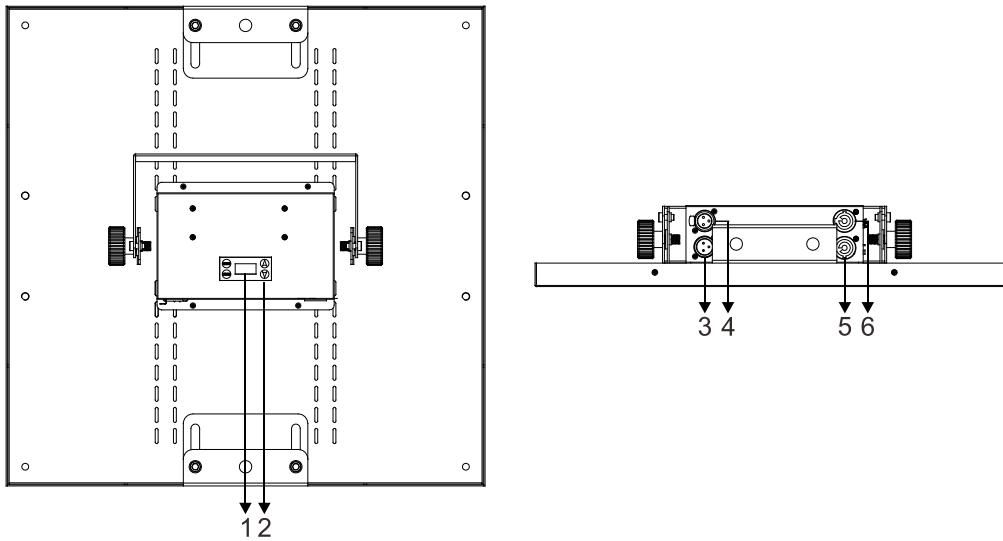
19.7"x3.3"x19.7" in, 20.5lbs



**Photometric Diagram:**



### 3. Control Panel



**1. Display:** To show the various menus and the selected function

**2. Button:**

<b>MENU</b>	To enter into move backward or leave the menu
<b>UP</b>	To go backward to move up in the menu
<b>DOWN</b>	To go forward to move down in the menu
<b>ENTER</b>	To perform the desired functions

**3. DMX IN:**

For DMX512 link, use 3-pin XLR cable to link the unit and DMX controller (5-pin XLR is optional)

**4. DMX OUT:**

For DMX512 link, use 3-pin XLR cable to link the next units (5-pin XLR is optional)

**5. POWERCON IN:** Connects to supply power

**6. POWERCON OUT:** Connects to the next fixture

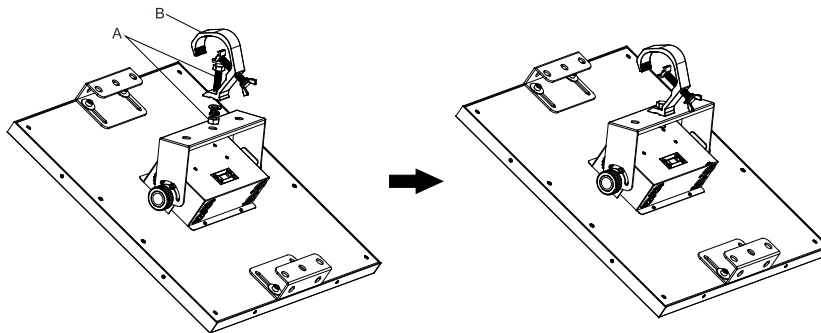
### 4. Installation

The fixture should be fixed on the clamp. Always ensure that the unit is firmly fixed to avoid vibration and slipping off during operation. Ensure that the trussing or area of installation must be able to hold 10 times the weight without any deformation. Always install a safety cable that can hold at least 12 times the weight of the fixture when installing.

DO install and operate by qualified operator. It must be installed in a place where there is out of the reach of people.

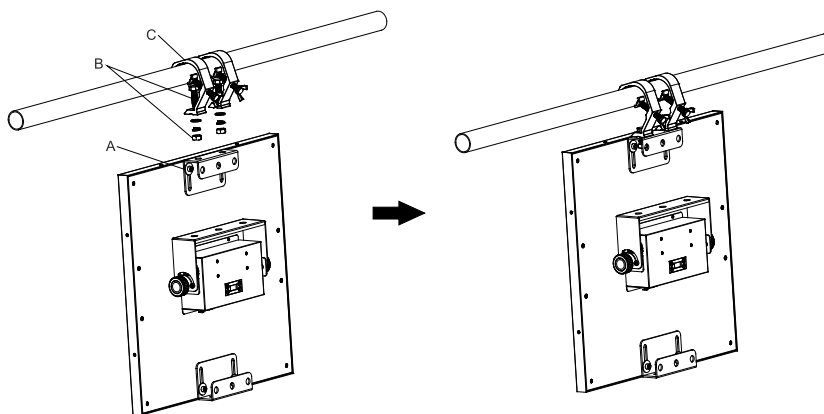
### 1. Installation parallel to the plane

As shown in the figure, fix the clamp (B) on the hanger of the fixture by using screws and nuts (A) and lock the clamp (B) on the truss.



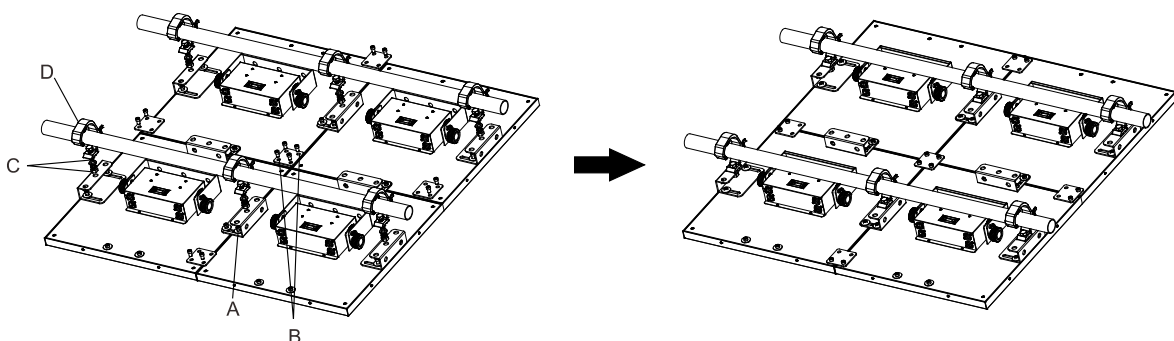
### 2. Installation vertical to the plane

As shown in the figure, fix the clamp (C) on the splicing plate (A) of the fixture by using screws and nuts (B) and lock the clamp (C) on the truss.



### 3. Multi-machine assembly

As shown in the figure, loosen the screws (A) of the splicing plate of the fixture. Then join the fixtures together in pairs and move the splicing plate, tighten the screws and fix them on the two fixtures; Fix the connecting plate (B) on the four corners of the fixtures by using screws and nuts so that the fixtures are spliced and fastened to each other; Fix the clamp (D) on the splicing plate of the fixture by using screws and nuts (C) and lock the clamp (D) on the truss.

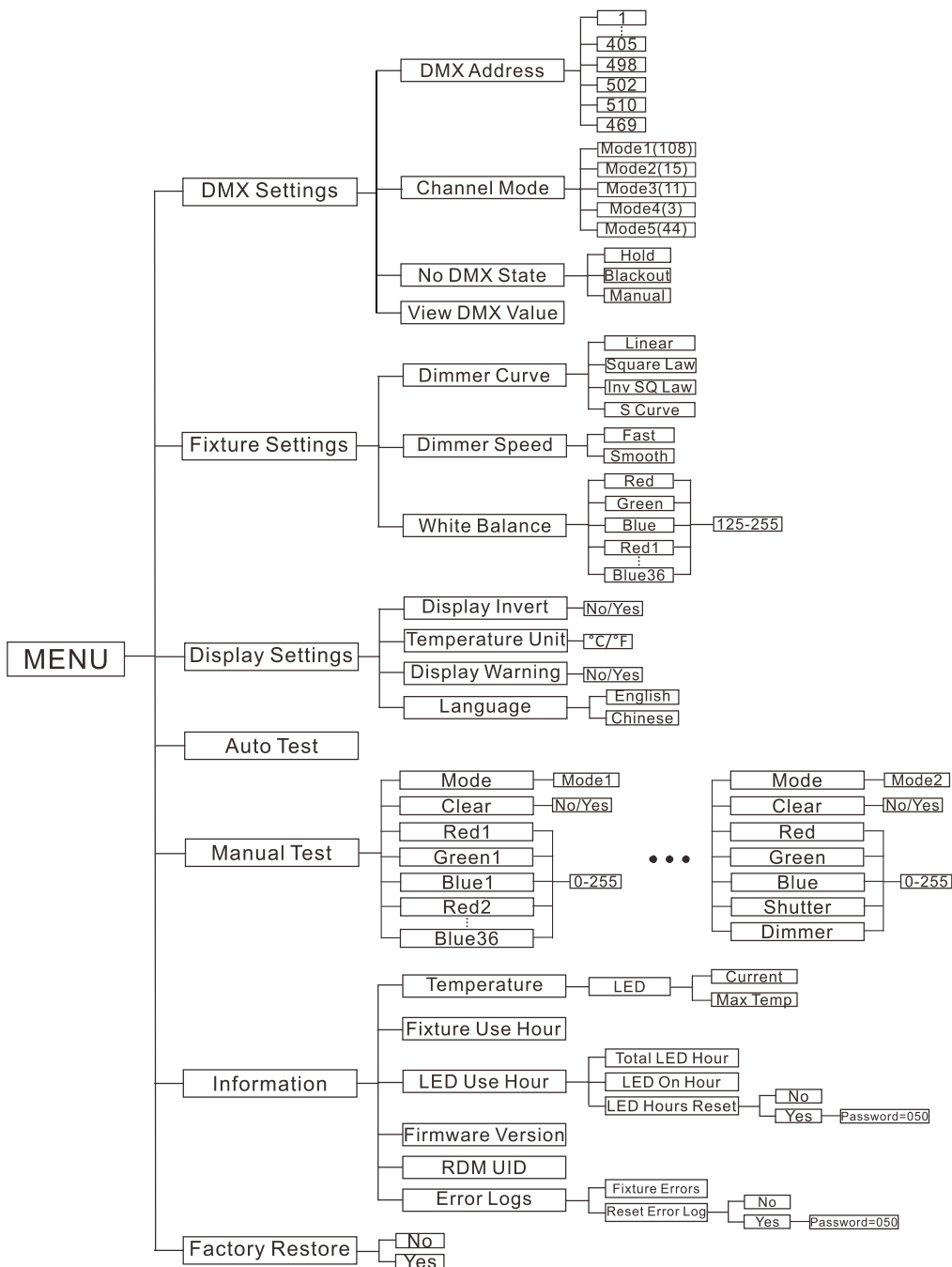


# 5. How To Set The Unit

## 5.1 Main Function

Turn on the unit, press the MENU button into menu mode, and press the UP/DOWN button until the required function is shown on the monitor. Select the function by pressing the ENTER button. Use the UP/DOWN button to choose the submenu, press the ENTER button to store and automatically return to the last menu. Press the MENU button or let the unit idle 30 seconds to exit menu mode.

The main functions are shown below:





## ***DMX Settings***

To select **DMX Settings**, press the **ENTER** button to confirm, use the **UP/DOWN** button to select **DMX Address, Channel Mode, No DMX State** or **View DMX Value**.

### **DMX Address**

To select **DMX Address**, press the **ENTER** button to confirm. Use the **UP/DOWN** button to adjust the address from **001** to **405/498/502/510/469**, press the **ENTER** button to store. Press the **MENU** button back to the last menu or let the unit idle 30 seconds to exit menu mode.

### **Channel Mode**

To select **Channel Mode**, press the **ENTER** button to confirm. Use the **UP/DOWN** button to select **Mode1(108), Mode2(15), Mode3(11), Mode4(3)** or **Mode5(44)**, press the **ENTER** button to store. Press the **MENU** button back to the last menu or let the unit idle 30 seconds to exit menu mode.

### **No DMX State**

To select **No DMX State**, press the **ENTER** button to confirm. Use the **UP/DOWN** button to select **Hold**(fixture continues to obey the last command it received Via DMX if DMX signal stops), **Blackout**(fixture blacks out if DMX signal stops), or **Manual**(the fixture will automatically read the DMX value in the “Manual Test” menu for operation after selecting this mode), press the **ENTER** button to store. Press the **MENU** button back to the last menu or let the unit idle 30 seconds to exit menu mode.

### **View DMX Value**

To select **View DMX Value**, press the **ENTER** button to confirm. Use the **UP/DOWN** button to view the DMX channel value. Press the **MENU** button back to the last menu or let the unit idle 30 seconds to exit menu mode.

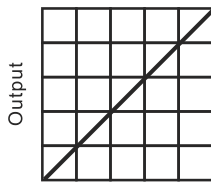
## ***Fixture Settings***

To select **Fixture Settings**, press the **ENTER** button to confirm, use the **UP/DOWN** button to select **Dimmer Curve, Dimmer Speed** or **White Balance**.

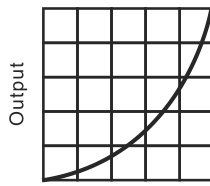
### **Dimmer Curve**

To select **Dimmer Curve**, press the **ENTER** button to confirm. Use the **DOWN/UP** button to select **Linear, Square Law, Inv SQ Law** or **S Curve**, press the **ENTER** button to store. Press the **MENU** button back to the last menu or let the unit idle 30 seconds to exit menu mode.

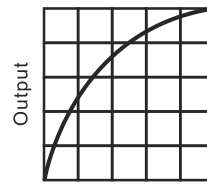
## Dimmer Modes



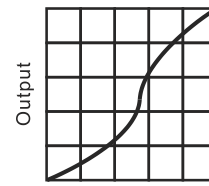
Optically Linear



Square Law



Inverse Square Law



S-curve

**Optically Linear:** The increase in light intensity appears to be linear as DMX value is increased.

**Square Law:** Light intensity control is finer at low levels and coarser at high levels.

**Inverse Square Law:** Light intensity control is coarser at low levels and finer at high levels.

**S-Curve:** Light intensity control is finer at low levels and high levels and coarser at medium levels.

### **Dimmer Speed**

To select **Dimmer Speed**, press the **ENTER** button to confirm. Use the **UP/DOWN** button to select **Fast** or **Smooth**, press the **ENTER** button to store. Press the **MENU** button back to the last menu or let the unit idle 30 seconds to exit menu mode.

### **White Balance**

To select **White Balance**, press the **ENTER** button to confirm. Use the **UP/DOWN** button to select **Red, Green, Blue, Red1, Green1, Blue1.....** or **Red36, Green36, Blue36**, press the **ENTER** button to store. Press the **MENU** button back to the last menu or let the unit idle 30 seconds to exit menu mode.

## ***Display Settings***

To select **Display Settings**, press the **ENTER** button to confirm, use the **UP/DOWN** button to select **Display Invert, Temperature Unit, Display Warning** or **Language**.

### **Display Invert**

Select **Display Invert**, press the **ENTER** button to confirm, present mode will blink on the display, use the **UP/DOWN** button to select **No** (normal display) or **Yes** (invert display), press the **ENTER** button to store. Press the **MENU** button back to the last menu or let the unit idle 30 seconds to exit menu mode.

### **Temperature Unit**

Select **Temperature Unit**, press the **ENTER** button to confirm. Use the **UP/DOWN** button to select **°C** or **°F**, press the **ENTER** button to store. Press the **MENU** button back to the last menu or let the unit idle 30 seconds to exit menu mode.

### **Display Warning**

Select **Display Warning**, press the **ENTER** button to confirm, present mode will blink on the display, use the **UP/DOWN** button to select **No** or **Yes**. Press the **MENU** button back to the last menu or let the unit idle 30 seconds to exit menu mode.

### **Language**

Select **Language**, press the **ENTER** button to confirm, present mode will blink on the display, use the **UP/DOWN** button to select **English** or **Chinese**. Press the **MENU** button back to the last menu or let the unit idle 30 seconds to exit menu mode.

### **Auto Test**

To select **Auto Test**, press the **ENTER** button to confirm, the unit will run built-in programs to automatically test its functions. Press the **MENU** button back to the last menu or exit menu mode after auto test.

### **Manual Test**

To select **Manual Test**, press the **ENTER** button to confirm, use the **UP/DOWN** button to select **Mode, Clear, Red1, Green1, Blue1.....Red36, Green36, Blue36** or **Red, Green, Blue, Shutter, Dimmer**, press the **ENTER** button to confirm, use the **UP/DOWN** button to adjust the value from **0** to **255**, press the **ENTER** button to store. Press the **MENU** button back to the last menu or let the unit idle 30 seconds to exit menu mode.

### **Information**

To select **Information**, press the **ENTER** button to confirm, use the **UP/DOWN** button to select **Temperature, Fixture Use Hour, LED Use Hour, Firmware Version, RDM UID** or **Error Logs**.

#### **Temperature**

Select **Temperature**, press the **ENTER** button to confirm, use the **UP/DOWN** button to select **LED**, press the **ENTER** button to confirm, LED's or PCBA's temperature of the unit will show on the display, press the **MENU** button to exit.

#### **Fixture Use Hour**

Select **Fixture Use Hour**, press the **ENTER** button to confirm, fixture use hour will show on the display, press the **MENU** button to exit.

### **LED Use Hour**

To select **LED Use Hour**, press the **ENTER** button to confirm, use the **UP/DOWN** button to select **Total LED Hour**, **LED On Hour** or **LED Hours Reset**, press the **ENTER** button to store. Use the **UP/DOWN** button to select **LED Hours Reset**, press the **ENTER** button to confirm, use the **UP/DOWN** button to set the password **050** to reset the LED hours, press the **ENTER** button to store. Press the **MENU** button back to the last menu or exit menu mode let the unit idle 30 seconds.

### **Firmware Version**

Select **Firmware Version**, press the **ENTER** button to confirm, firmware version will show on the display, press the **MENU** button back to exit.

### **RDM UID**

Select **RDM UID**, press the **ENTER** button to confirm, RDM UID will show on the display, press the **MENU** button back to exit.

### **Error Logs**

Select **Error Logs**, press the **ENTER** button to confirm. Use the **UP/DOWN** button to select **Fixture Errors** or **Reset Error Log**, press the **ENTER** button to store. Select **Reset Error Log**, press the **ENTER** button to confirm. Use the **UP/DOWN** button to select **No** or **Yes**, press the **ENTER** button to store. Select **Yes**, press the **ENTER** button to confirm. Use the **UP/DOWN** button to set the password **050**, press the **ENTER** button to store. Press the **MENU** button back to the last menu or let the unit idle 30 seconds to exit menu mode.

### ***Factory Restore***

Select **Factory Restore**, press the **ENTER** button to confirm, use the **UP/DOWN** button to select **No** (normal) or **Yes** (the fixture will reset to factory settings), press **ENTER** button to store. Press the **MENU** button to exit.

## **RDM FUNCTIONS**

Select the MANUFACTURER menu to display the manufacturer of the fixture.

Select the SOFTWARE VERSION menu and the program version number of the fixture will be displayed.

Select the DMX START ADDRESS menu to change the DMX 512 address (001-512).

Select the DEVICE MODEL DESCRIPTION menu to display the model of the fixture.

Select the DEVICE LABEL menu to change the model of the fixture.

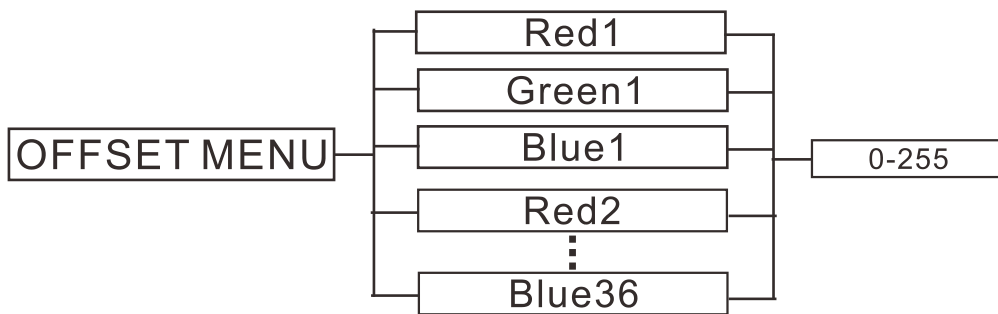
Select the DMX PERSONALITY menu to set the channel mode of the fixture (108/15/11/3/44 channel).

Select the DMX PERSONALITY DESCRIPTION menu to display the current channel mode of the fixture.

Select the DEVICE HOURS menu to display the running time of the fixture.

### **5.2 Home Position Adjustment**

Press the MENU button into menu mode, then press the ENTER button for about 3 seconds into offset mode to adjust the home position. Select the function by pressing the ENTER button. Use the UP/DOWN button to choose the submenu, press the ENTER button to store and automatically return to the last menu. Press MENU button to exit.



#### **Red1**

Enter offset mode, select **Red1**, press the **ENTER** button to confirm, the present position will blink on the display, use the **UP/DOWN** button to offset the value from 0 to 255, press the **ENTER** button to store. Press the **MENU** button to exit.

#### **Green1**

Enter offset mode, select **Green1**, press the **ENTER** button to confirm, the present position will blink on the display, use the **UP/DOWN** button to offset the value from 0 to 255, press the **ENTER** button to store. Press the **MENU** button to exit.

### Blue1

Enter offset mode, select **Blue1**, press the **ENTER** button to confirm, the present position will blink on the display, use the **UP/DOWN** button to offset the value from 0 to 255, press the **ENTER** button to store. Press the **MENU** button to exit.

.....

### Red36

Enter offset mode, select **Red36**, press the **ENTER** button to confirm, the present position will blink on the display, use the **UP/DOWN** button to offset the value from 0 to 255, press the **ENTER** button to store. Press the **MENU** button to exit.

### Green36

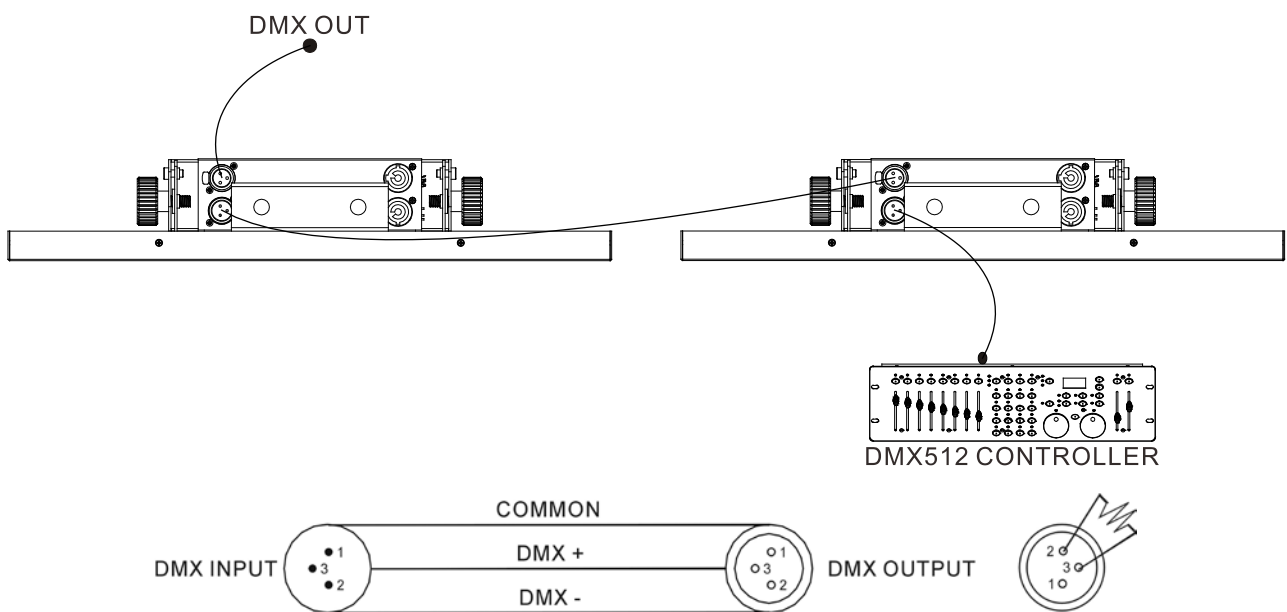
Enter offset mode, select **Green36**, press the **ENTER** button to confirm, the present position will blink on the display, use the **UP/DOWN** button to offset the value from 0 to 255, press the **ENTER** button to store. Press the **MENU** button to exit.

### Blue36

Enter offset mode, select **Blue36**, press the **ENTER** button to confirm, the present position will blink on the display, use the **UP/DOWN** button to offset the value from 0 to 255, press the **ENTER** button to store. Press the **MENU** button to exit.

## 6. Control By Universal DMX Controller

### 6.1 DMX512 Connection



1. At last unit, the DMX cable has to be terminated with a terminator. Solder a 120-ohm 1/4W resistor between pin 2(DMX-) and pin 3(DMX+) into a 3-pin XLR-plug and plug it in the DMX-output of the last unit.
2. Connect the unit together in a “daisy chain” by XLR plug cable from the output of the unit to the input of the next unit. The cable can only be used in series and cannot be connected in parallel. DMX 512 is a very high-speed signal. Inadequate or damaged cables, soldered joints or corroded connectors can easily distort the signal and shut down the system.
3. The DMX output and input connectors are pass-through to maintain the DMX circuit, when one of the units’ power is disconnected.
4. Each lighting unit needs to have a DMX address to receive the data by the controller. The address number is between 1-512.
5. The end of the DMX 512 system should be terminated to reduce signal errors.
6. 3 pin XLR connectors are more popular than 5 pins XLR.
  - 3 pin XLR: Pin 1: GND, Pin 2: Negative signal (-), Pin 3: Positive signal (+)
  - 5 pin XLR: Pin 1: GND, Pin 2: Negative signal (-), Pin 3: Positive signal (+), Pin4, Pin5 not used.

## 6.2 Address Setting

If you use a universal DMX controller to control the units, you have to set DMX address from 1 to 512 so that the units can receive DMX signal.

Press the MENU button to enter menu mode, select DMX Settings, press the ENTER button to confirm, use the UP/DOWN button to select DMX Address, press the ENTER button to confirm, the present address will blink in the display, use the UP/DOWN button to adjust the address from 001 to 512, press the ENTER button to store. Press the MENU button back to the last menu or let the unit idle 30 seconds to exit menu mode.

Please refer to the following diagram to address your DMX512 channel for the first 4 units.

Channel mode	Unit 1 Address	Unit 2 Address	Unit 3 Address	Unit 4 Address
108 channels	1	109	217	325
15 channels	1	16	31	46
11 channels	1	12	23	34
3 channels	1	4	7	10
44 channels	1	45	89	133

## 6.3 DMX512 Configuration

Please control the fixture by referring to the configurations below

### Attentions:

1. The unit will maintain the last condition until reset if you cut-off the DMX signal.
2. For the channel Function, keep the value for about 3 seconds, then the corresponding function will take into effect.

### 108 Channels (Mode 1):

CHANNEL	VALUE	FUNCTION
1	000-255	<b>RED1</b> 0%→100%
2	000-255	<b>GREEN1</b> 0%→100%
3	000-255	<b>BLUE1</b> 0%→100%
4	000-255	<b>RED2</b> 0%→100%
5	000-255	<b>GREEN2</b> 0%→100%
6	000-255	<b>BLUE2</b> 0%→100%
.....	.....	.....
106	000-255	<b>RED36</b> 0%→100%
107	000-255	<b>GREEN36</b> 0%→100%
108	000-255	<b>BLUE36</b> 0%→100%

### 15 Channels (Mode 2):

CHANNEL	VALUE	FUNCTION
1	000-255	<b>RED (RING 1)</b> 0%→100%
2	000-255	<b>GREEN (RING 1)</b> 0%→100%
3	000-255	<b>BLUE (RING 1)</b> 0%→100%



<b>4</b>	000-255	<b>RED (RING 2)</b> 0%→100%
<b>5</b>	000-255	<b>GREEN (RING 2)</b> 0%→100%
<b>6</b>	000-255	<b>BLUE (RING 2)</b> 0%→100%
<b>7</b>	000-255	<b>RED (RING 3)</b> 0%→100%
<b>8</b>	000-255	<b>GREEN (RING 3)</b> 0%→100%
<b>9</b>	000-255	<b>BLUE (RING 3)</b> 0%→100%
<b>10</b>	000 001-004 005-009 010-013 014-018 019-022 023-027 028-031 032-036 037-040 041-045 046-049 050-054 055-058 059-063 064-067 068-072 073-076 077-081 082-085 086-090 091-094 095-099 100-103 104-108 109-112 113-117 118-121 122-126 127-130 131-135 136-139 140-144	<b>CTO (8000K-2500K)</b> Close 8000K 7900K 7800K 7700K 7600K 7500K 7400K 7300K 7200K 7100K 7000K 6900K 6800K 6700K 6600K 6500K 6400K 6300K 6200K 6100K 6000K 5900K 5800K 5700K 5600K 5500K 5400K 5300K 5200K 5100K 5000K 4900K

	145-148 149-153 154-157 158-162 163-166 167-171 172-175 176-180 181-184 185-189 190-193 194-198 199-202 203-207 208-211 212-216 217-220 221-225 226-229 230-234 235-238 239-243 244-247 248-255	4800K 4700K 4600K 4500K 4400K 4300K 4200K 4100K 4000K 3900K 3800K 3700K 3600K 3500K 3400K 3300K 3200K 3100K 3000K 2900K 2800K 2700K 2600K 2500K
11	000-009 010-014 015-019 020-024 025-029 030-034 035-039 040-044 045-049 050-054 055-059 060-064 065-069 070-074 075-079 080-084 085-089 090-094 095-099 100-104 105-109 110-114	<b>COLOR MACRO</b> Open LEE 790-Moroccan Pink LEE 157-Pink LEE 332-Special Rose Pink LEE 328-Follies Pink LEE 345-Fuchsia Pink LEE 194-Surprise Pink LEE 181-Congo Blue LEE 071-Tokyo Blue LEE 120-Deep Blue LEE 079-Just Blue LEE 132-Medium Blue LEE 200-Double CT Blue LEE 161-State Blue LEE 201-Full CT Blue LEE 202-Half CT Blue LEE 117-Steel Blue LEE 353-Lighter Blue LEE 118-Light Blue LEE 116-Medium Blue Green LEE 124-Dark Green LEE 139-Primary Green

	115-119 120-124 125-129 130-134 135-139 140-144 145-149 150-154 155-159 160-164 165-169 170-174 175-179 180-201 202-207 208-229 230-234 235-239 240-244 245-249 250-255	LEE 089-Moss Green LEE 122-Fern Green LEE 738-JAS Green LEE 088-Lime Green LEE 100-Spring Yellow LEE 104-Deep Amber LEE 179-Chrome Orange LEE 105-Orange LEE 021-Gold Amber LEE 778-Millennium Gold LEE 135-Deep Gold Amber LEE 164-Flame Red Open Clockwise Rotation, Fast to Slow Stop Counter-clockwise Rotation, Slow to Fast Open Random Color: Fast Random Color: Medium Random Color: Slow Open
<b>12</b>	000-007 008-015 016-131 132-139 140-181 182-189 190-231 232-239 240-247 248-255	<b>STROBE</b> Close Open Strobe from Slow to Fast Open Fast Close Slow Open Open Fast Open Slow Close Open Random Strobe Open
<b>13</b>	000-255	<b>DIMMER</b> 0%→100%
<b>14</b>	000-255	<b>DIMMER FINE</b>
<b>15</b>	000-029 030-039 040-049 050-059 060-069 070-079 080-089 090-099 100-109 110-119	<b>SPECIAL FUNCTION</b> Null Dimmer Curve Linear Dimmer Curve Square Law Dimmer Curve Inv SQ Law Dimmer Curve S Null Null Null Null Null

	120-129	Null
	130-139	Null
	140-179	Null
	180-189	Dimmer Speed Fast
	190-199	Dimmer Speed Smooth
	200-209	Null
	210-219	Null
	220-229	Null
	230-255	Null

**11 Channels (Mode 3):**

CHANNEL	VALUE	FUNCTION
<b>1</b>	000-255	<b>RED</b> 0%→100%
<b>2</b>	000-255	<b>GREEN</b> 0%→100%
<b>3</b>	000-255	<b>BLUE</b> 0%→100%
<b>4</b>	000	<b>CTO (8000K-2500K)</b> Close
	001-004	8000K
	005-009	7900K
	010-013	7800K
	014-018	7700K
	019-022	7600K
	023-027	7500K
	028-031	7400K
	032-036	7300K
	037-040	7200K
	041-045	7100K
	046-049	7000K
	050-054	6900K
	055-058	6800K
	059-063	6700K
	064-067	6600K
	068-072	6500K
	073-076	6400K
	077-081	6300K
	082-085	6200K
086-090	6100K	
091-094	6000K	
095-099	5900K	
100-103	5800K	

	104-108 109-112 113-117 118-121 122-126 127-130 131-135 136-139 140-144 145-148 149-153 154-157 158-162 163-166 167-171 172-175 176-180 181-184 185-189 190-193 194-198 199-202 203-207 208-211 212-216 217-220 221-225 226-229 230-234 235-238 239-243 244-247 248-255	5700K 5600K 5500K 5400K 5300K 5200K 5100K 5000K 4900K 4800K 4700K 4600K 4500K 4400K 4300K 4200K 4100K 4000K 3900K 3800K 3700K 3600K 3500K 3400K 3300K 3200K 3100K 3000K 2900K 2800K 2700K 2600K 2500K
5	000-009 010-014 015-019 020-024 025-029 030-034 035-039 040-044 045-049 050-054 055-059 060-064 065-069	<b>COLOR MACRO</b> Open LEE 790-Moroccan Pink LEE 157-Pink LEE 332-Special Rose Pink LEE 328-Follies Pink LEE 345-Fuchsia Pink LEE 194-Surprise Pink LEE 181-Congo Blue LEE 071-Tokyo Blue LEE 120-Deep Blue LEE 079-Just Blue LEE 132-Medium Blue LEE 200-Double CT Blue

	070-074 075-079 080-084 085-089 090-094 095-099 100-104 105-109 110-114 115-119 120-124 125-129 130-134 135-139 140-144 145-149 150-154 155-159 160-164 165-169 170-174 175-179 180-201 202-207 208-229 230-234 235-239 240-244 245-249 250-255	LEE 161-State Blue LEE 201-Full CT Blue LEE 202-Half CT Blue LEE 117-Steel Blue LEE 353-Lighter Blue LEE 118-Light Blue LEE 116-Medium Blue Green LEE 124-Dark Green LEE 139-Primary Green LEE 089-Moss Green LEE 122-Fern Green LEE 738-JAS Green LEE 088-Lime Green LEE 100-Spring Yellow LEE 104-Deep Amber LEE 179-Chrome Orange LEE 105-Orange LEE 021-Gold Amber LEE 778-Millennium Gold LEE 135-Deep Gold Amber LEE 164-Flame Red Open Clockwise Rotation, Fast to Slow Stop Counter-clockwise Rotation, Slow to Fast Open Random Color: Fast Random Color: Medium Random Color: Slow Open
6	000-014 015-047 048-095 096-135 136-175 176-215 216-255	<b>MODE</b> Blackout Full On Line Effect (see channel 7-1) Number 1 to 9 (see channel 7-2) Letter A to Z (see channel 7-3) Letter a to z (see channel 7-4) Blackout
7-1	000-007 008-015 016-023 024-031 032-039 040-047 048-055 056-063	<b>LINE EFFECT</b> No Function Effect 01 Effect 02 Effect 03 Effect 04 Effect 05 Effect 06 Effect 07

	064-071 072-079 080-087 088-095 096-103 104-111 112-119 120-127 128-135 136-143 144-151 152-159 160-167 168-175 176-183 184-191 192-199 200-207 208-215 216-223 224-231 232-239 240-247 248-255	Effect 08 Effect 09 Effect 10 Effect 11 Effect 12 Effect 13 Effect 14 Effect 15 Effect 16 Effect 17 Effect 18 Effect 19 Effect 20 Effect 21 Effect 22 Effect 23 Effect 24 Effect 25 Effect 26 Effect 27 Effect 28 Effect 29 Effect 30 Effect 31
<b>7-2</b>	000-025 026-048 049-071 072-094 095-117 118-140 141-163 164-186 187-209 210-232 233-255	<b>NUMBER 1 to 9</b> No Function Number-0 Number-1 Number-2 Number-3 Number-4 Number-5 Number-6 Number-7 Number-8 Number-9
<b>7-3</b>	000-021 022-030 031-039 040-048 049-057 058-066 067-075 076-084 085-093 094-102	<b>LETTER A to Z</b> No Function Letter-A Letter-B Letter-C Letter-D Letter-E Letter-F Letter-G Letter-H Letter-I

	103-111 112-120 121-129 130-138 139-147 148-156 157-165 166-174 175-183 184-192 193-201 202-210 211-219 220-228 229-237 238-246 247-255	Letter-J Letter-K Letter-L Letter-M Letter-N Letter-O Letter-P Letter-Q Letter-R Letter-S Letter-T Letter-U Letter-V Letter-W Letter-X Letter-Y Letter-Z
<b>7-4</b>	000-021 022-030 031-039 040-048 049-057 058-066 067-075 076-084 085-093 094-102 103-111 112-120 121-129 130-138 139-147 148-156 157-165 166-174 175-183 184-192 193-201 202-210 211-219 220-228 229-237 238-246 247-255	<b>LETTER a to z</b> No Function Letter-a Letter-b Letter-c Letter-d Letter-e Letter-f Letter-g Letter-h Letter-i Letter-j Letter-k Letter-l Letter-m Letter-n Letter-o Letter-p Letter-q Letter-r Letter-s Letter-t Letter-u Letter-v Letter-w Letter-x Letter-y Letter-z
<b>8</b>	000-007	<b>STROBE</b> Close



	008-015 016-131 132-139 140-181 182-189 190-231 232-239 240-247 248-255	Open Strobe from Slow to Fast Open Fast Close Slow Open Open Fast Open Slow Close Open Random Strobe Open
<b>9</b>	000-255	<b>DIMMER</b> 0%→100%
<b>10</b>	000-255	<b>DIMMER FINE</b>
<b>11</b>	000-029 030-039 040-049 050-059 060-069 070-079 080-089 090-099 100-109 110-119 120-129 130-139 140-179 180-189 190-199 200-209 210-219 220-229 230-255	<b>SPECIAL FUNCTION</b> Null Dimmer Curve Linear Dimmer Curve Square Law Dimmer Curve Inv SQ Law Dimmer Curve S Null Null Null Null Null Null Null Null Dimmer Speed Fast Dimmer Speed Smooth Null Null Null Null

**3 Channels (Mode 4):**

<b>CHANNEL</b>	<b>VALUE</b>	<b>FUNCTION</b>
<b>1</b>	000-255	<b>RED</b> 0%→100%
<b>2</b>	000-255	<b>GREEN</b> 0%→100%
<b>3</b>	000-255	<b>BLUE</b> 0%→100%

44 Channels (Mode 5):

CHANNEL	VALUE	FUNCTION
1	000-255	<b>LED1</b> 0%→100%
2	000-255	<b>LED2</b> 0%→100%
3	000-255	<b>LED3</b> 0%→100%
4	000-255	<b>LED4</b> 0%→100%
5	000-255	<b>LED5</b> 0%→100%
6	000-255	<b>LED6</b> 0%→100%
7	000-255	<b>LED7</b> 0%→100%
8	000-255	<b>LED8</b> 0%→100%
9	000-255	<b>LED9</b> 0%→100%
10	000-255	<b>LED10</b> 0%→100%
11	000-255	<b>LED11</b> 0%→100%
12	000-255	<b>LED12</b> 0%→100%
13	000-255	<b>LED13</b> 0%→100%
14	000-255	<b>LED14</b> 0%→100%
15	000-255	<b>LED15</b> 0%→100%
16	000-255	<b>LED16</b> 0%→100%
17	000-255	<b>LED17</b> 0%→100%
18	000-255	<b>LED18</b> 0%→100%
19	000-255	<b>LED19</b> 0%→100%

<b>20</b>	000-255	<b>LED20</b> 0%→100%
<b>21</b>	000-255	<b>LED21</b> 0%→100%
<b>22</b>	000-255	<b>LED22</b> 0%→100%
<b>23</b>	000-255	<b>LED23</b> 0%→100%
<b>24</b>	000-255	<b>LED24</b> 0%→100%
<b>25</b>	000-255	<b>LED25</b> 0%→100%
<b>26</b>	000-255	<b>LED26</b> 0%→100%
<b>27</b>	000-255	<b>LED27</b> 0%→100%
<b>28</b>	000-255	<b>LED28</b> 0%→100%
<b>29</b>	000-255	<b>LED29</b> 0%→100%
<b>30</b>	000-255	<b>LED30</b> 0%→100%
<b>31</b>	000-255	<b>LED31</b> 0%→100%
<b>32</b>	000-255	<b>LED32</b> 0%→100%
<b>33</b>	000-255	<b>LED33</b> 0%→100%
<b>34</b>	000-255	<b>LED34</b> 0%→100%
<b>35</b>	000-255	<b>LED35</b> 0%→100%
<b>36</b>	000-255	<b>LED36</b> 0%→100%
<b>37</b>	000 001-004 005-009 010-013 014-018 019-022	<b>CTO (8000K-2500K)</b> Close 8000K 7900K 7800K 7700K 7600K

	023-027	7500K
	028-031	7400K
	032-036	7300K
	037-040	7200K
	041-045	7100K
	046-049	7000K
	050-054	6900K
	055-058	6800K
	059-063	6700K
	064-067	6600K
	068-072	6500K
	073-076	6400K
	077-081	6300K
	082-085	6200K
	086-090	6100K
	091-094	6000K
	095-099	5900K
	100-103	5800K
	104-108	5700K
	109-112	5600K
	113-117	5500K
	118-121	5400K
	122-126	5300K
	127-130	5200K
	131-135	5100K
	136-139	5000K
	140-144	4900K
	145-148	4800K
	149-153	4700K
	154-157	4600K
	158-162	4500K
	163-166	4400K
	167-171	4300K
	172-175	4200K
	176-180	4100K
	181-184	4000K
	185-189	3900K
	190-193	3800K
	194-198	3700K
	199-202	3600K
	203-207	3500K
	208-211	3400K
	212-216	3300K
	217-220	3200K
	221-225	3100K
	226-229	3000K
	230-234	2900K

	235-238 239-243 244-247 248-255	2800K 2700K 2600K 2500K
38	000-009 010-014 015-019 020-024 025-029 030-034 035-039 040-044 045-049 050-054 055-059 060-064 065-069 070-074 075-079 080-084 085-089 090-094 095-099 100-104 105-109 110-114 115-119 120-124 125-129 130-134 135-139 140-144 145-149 150-154 155-159 160-164 165-169 170-174 175-179 180-201 202-207 208-229 230-234 235-239 240-244 245-249	<b>COLOR MACRO</b> Open LEE 790-Moroccan Pink LEE 157-Pink LEE 332-Special Rose Pink LEE 328-Follies Pink LEE 345-Fuchsia Pink LEE 194-Surprise Pink LEE 181-Congo Blue LEE 071-Tokyo Blue LEE 120-Deep Blue LEE 079-Just Blue LEE 132-Medium Blue LEE 200-Double CT Blue LEE 161-State Blue LEE 201-Full CT Blue LEE 202-Half CT Blue LEE 117-Steel Blue LEE 353-Lighter Blue LEE 118-Light Blue LEE 116-Medium Blue Green LEE 124-Dark Green LEE 139-Primary Green LEE 089-Moss Green LEE 122-Fern Green LEE 738-JAS Green LEE 088-Lime Green LEE 100-Spring Yellow LEE 104-Deep Amber LEE 179-Chrome Orange LEE 105-Orange LEE 021-Gold Amber LEE 778-Millennium Gold LEE 135-Deep Gold Amber LEE 164-Flame Red Open Clockwise Rotation, Fast to Slow Stop Counter-clockwise Rotation, Slow to Fast Open Random Color: Fast Random Color: Medium Random Color: Slow

	250-255	Open
<b>39</b>	000-014 015-047 048-095 096-135 136-175 176-215 216-255	<b>MODE</b> Blackout Full On Line Effect (see channel 40-1) Number 1 to 9 (see channel 40-2) Letter A to Z (see channel 40-3) Letter a to z (see channel 40-4) Blackout
<b>40-1</b>	000-007 008-015 016-023 024-031 032-039 040-047 048-055 056-063 064-071 072-079 080-087 088-095 096-103 104-111 112-119 120-127 128-135 136-143 144-151 152-159 160-167 168-175 176-183 184-191 192-199 200-207 208-215 216-223 224-231 232-239 240-247 248-255	<b>LINE EFFECT</b> No Function Effect 01 Effect 02 Effect 03 Effect 04 Effect 05 Effect 06 Effect 07 Effect 08 Effect 09 Effect 10 Effect 11 Effect 12 Effect 13 Effect 14 Effect 15 Effect 16 Effect 17 Effect 18 Effect 19 Effect 20 Effect 21 Effect 22 Effect 23 Effect 24 Effect 25 Effect 26 Effect 27 Effect 28 Effect 29 Effect 30 Effect 31
<b>40-2</b>	000-025 026-048 049-071	<b>NUMBER 1 to 9</b> No Function Number-0 Number-1

	072-094 095-117 118-140 141-163 164-186 187-209 210-232 233-255	Number-2 Number-3 Number-4 Number-5 Number-6 Number-7 Number-8 Number-9
<b>40-3</b>	000-021 022-030 031-039 040-048 049-057 058-066 067-075 076-084 085-093 094-102 103-111 112-120 121-129 130-138 139-147 148-156 157-165 166-174 175-183 184-192 193-201 202-210 211-219 220-228 229-237 238-246 247-255	<b>LETTER A to Z</b> No Function Letter-A Letter-B Letter-C Letter-D Letter-E Letter-F Letter-G Letter-H Letter-I Letter-J Letter-K Letter-L Letter-M Letter-N Letter-O Letter-P Letter-Q Letter-R Letter-S Letter-T Letter-U Letter-V Letter-W Letter-X Letter-Y Letter-Z
<b>40-4</b>	000-021 022-030 031-039 040-048 049-057 058-066 067-075 076-084 085-093 094-102	<b>LETTER a to z</b> No Function Letter-a Letter-b Letter-c Letter-d Letter-e Letter-f Letter-g Letter-h Letter-i

	103-111 112-120 121-129 130-138 139-147 148-156 157-165 166-174 175-183 184-192 193-201 202-210 211-219 220-228 229-237 238-246 247-255	Letter-j Letter-k Letter-l Letter-m Letter-n Letter-o Letter-p Letter-q Letter-r Letter-s Letter-t Letter-u Letter-v Letter-w Letter-x Letter-y Letter-z
<b>41</b>	000-007 008-015 016-131 132-139 140-181 182-189 190-231 232-239 240-247 248-255	<b>STROBE</b> Close Open Strobe from Slow to Fast Open Fast Close Slow Open Open Fast Open Slow Close Open Random Strobe Open
<b>42</b>	000-255	<b>DIMMER</b> 0%→100%
<b>43</b>	000-255	<b>DIMMER FINE</b>
<b>44</b>	000-029 030-039 040-049 050-059 060-069 070-079 080-089 090-099 100-109 110-119 120-129 130-139 140-179 180-189	<b>SPECIAL FUNCTION</b> Null Dimmer Curve Linear Dimmer Curve Square Law Dimmer Curve Inv SQ Law Dimmer Curve S Null Null Null Null Null Null Null Null Dimmer Speed Fast



	190-199	Dimmer Speed Smooth
	200-209	Null
	210-219	Null
	220-229	Null
	230-255	Null

## 7. Error Information

Error codes are shown continuously in the display when the fixture fails and they will not disappear until the fixture is repaired.

### 1. Led Temp. Error

Check whether the temperature detecting board is normal.

Check whether the components of the temperature detecting board are damaged.

Check whether the lead on the temperature detecting board is installed in place or disconnected.

### 2. LED Too Hot Off

When the fixture temperature reaches 65°C, it will automatically turn off to protect the fixture.

### 3. LED Timeout Use

## 8. Troubleshooting

Following are a few common problems that may occur during operation. Here are some suggestions for troubleshooting:

### A. The unit does not work and no light

1. Check the connected power.
2. Measure the voltage.
3. Check the power indicator to see whether it can be lit up or not.

### B. Not responding to the DMX controller

1. Check whether the DMX connectors and the DMX cables are connected correctly.
2. Check whether the DMX address is correctly set.
3. If the intermittent DMX signal problem occurs, check whether the XLR socket and the signal cable are well connected.
4. Try it with another DMX controller.
5. Check whether the DMX cables run near or alongside to the high-voltage cables, which may damage or interfere with the signal circuit.

### C. One of the channels is not working well

1. The stepper motor might be damaged or the cable connected to the PCB might be broken.
2. The motor's drive IC on the PCB might be out of condition.

## 9. Fixture Cleaning

It is absolutely essential that the fixture is kept clean to ensure the maximum light-output and allow the fixture to function reliably throughout its life. The fixture must be cleaned regularly to avoid dust, dirt and smoke-fluid residues building up on or within the fixture. The cleaning frequency depends on the application environment. Clean the fixture immediately if the dust enters it to avoid damage to the optical lens due to excessive dust.

- A soft lint-free cloth moistened with any good glass cleaning fluid is recommended, under no circumstances should solvents be used.
- Always dry the parts carefully.
- Clean the external optical lens at least every 20 days.

## **Declaration of Conformity**

We declare that our products (lighting equipments) comply with the following specification and bears CE mark in accordance with the provision of the Electromagnetic Compatibility (EMC) Directive 2014/30/EU.

EN 55032: 2015+A11: 2020; EN 55035: 2017+A11: 2020;  
EN IEC 61000-3-2: 2019; EN 61000-3-3: 2013+A1: 2019.

**&**

## **Harmonized Standard**

EN 60598-2-17: 2018; EN 60598-1: 2015+A1: 2018.

Safety of household and similar electrical appliances  
Part 1: General requirements and tests

**Innovation, Quality, Performance**