

SHAKAN™

BEAM 300

FEATURES

- Fitted with a 145mm length frontal lens
- Upgraded optical system to ensure the clear image
- 1 x Color Wheel: 14 complementary colors + open
- 1 x Static Gobo Wheel: 16 popular gobos + open
- 3 x Rotating and Indexable Prisms: one tower prism, one 8-facet prism, one 16-facet prism, and the 16-facet prism can be combined with one of the other two
- Other benefits including: independent frost effect, strobe effect with variable speed, smooth dimming, excellent color macro effect, etc.



TECHNICAL SPECIFICATIONS

Specifications

- Light source: NEOLUX STAGE 295W(1500Hours)
- Color temperature: 7,800k
- Beam angle: 2°

Control

- DMX Channel: 12/15
- Protocols: DMX512, RDM
- Firmware Upgrade via DMX link

Pan/Tilt

- Pan/Tilt movement: :540° / 270°
- Pan/Tilt Resolution: 16-bit
- Automatic Pan/Tilt position correction

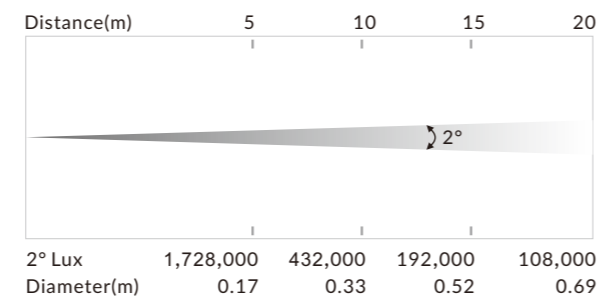
Construction

- Display: LCD display
- Data In/Out: 3-pin or 5-pin XLR
- Power In/Out: Power Connector In/Out
- Protection Rating: IP20

Electrical and Physical

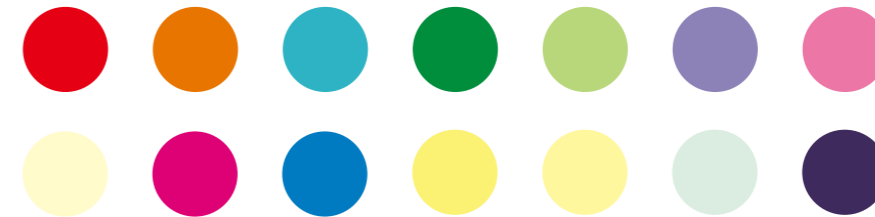
- Input voltage range: 100-240V~ 50/60Hz
- Power Consumption:365W
- Dimensions:336x240x507mm (13.2"x9.4"x20.0")
- Carton Dimension:420x410x575mm (16.5"x16.1"x22.6")
- Weight:14.9kg (32.8lbs)
17kg(37.5lbs) (one-pack per carton)

PHOTOMETRICS DIAGRAM

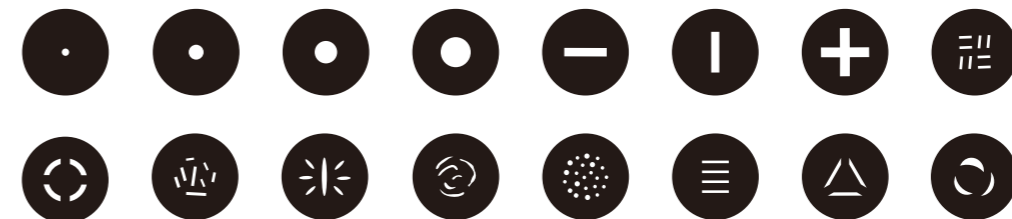


FUNCTIONAL EFFECT

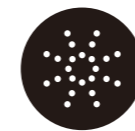
Color Wheel



Static Gobo Wheel



1- Tower Prism



8-Facet Prism



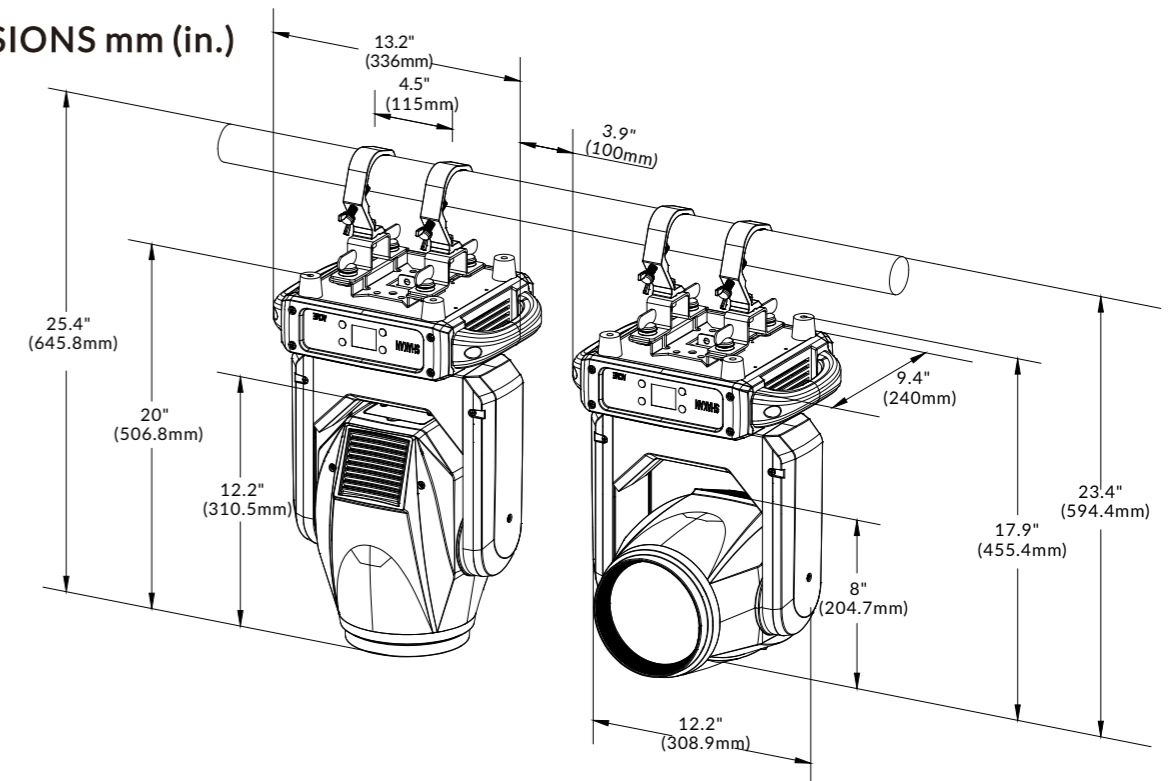
16-Facet Linear Prism



Frost Filter



DIMENSIONS mm (in.)



PROJECT INSTALLATION

PROJECT INSTALLATION