

BRIGHT™

PANEL 3612

FEATURES

- LED can be controlled individually
- Smooth dimming from 0-100%
- Outstanding strobe effect with variable speed
- Compact size and light weight
- Horizontally or vertically mounting are available

TECHNICAL SPECIFICATIONS

Specifications

- Light Source: 36X12W RGBW LED
- Beam angle: 2°

Control

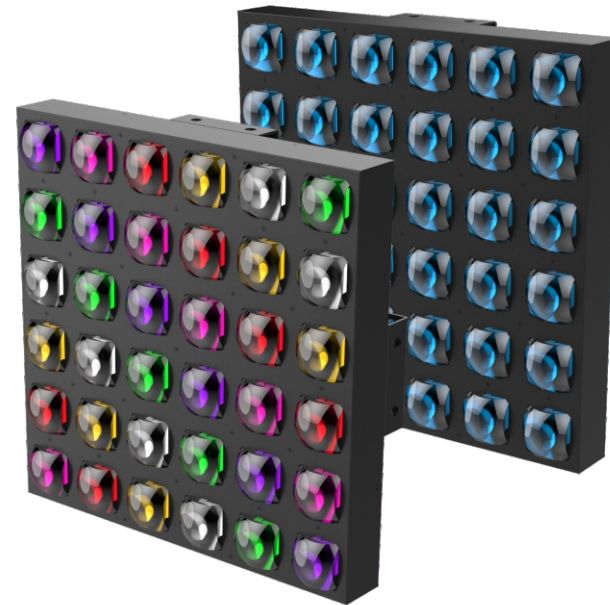
- Control channels: 147/17/11/4/44/144 Channels
- Protocols: DMX512,RDM
- Upgrade the firmware via DMX link

Construction

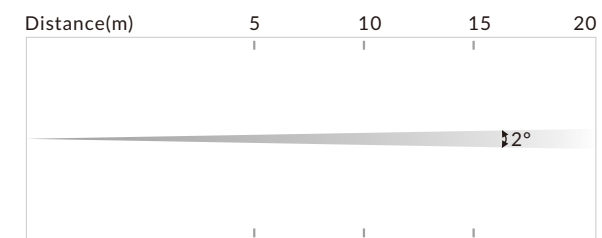
- Display: OLED display
- Data in/out: 3-pin or 5-pin XLR
- Power in/out: Power Connector in/out
- Protection Rating: IP20

Electrical and Physical

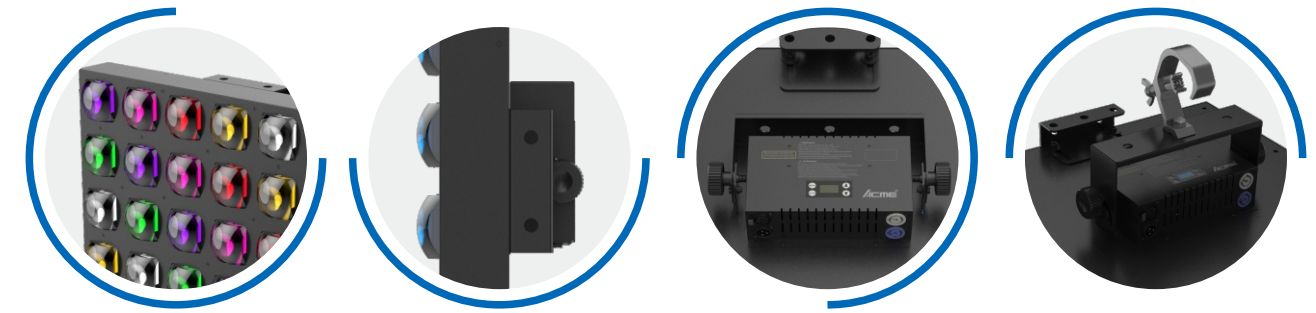
- Power Voltage Range: 100-240V~ 50/60Hz
- Power Consumption: 155W
- Dimensions: 500 x 500 x 104mm (19.6" x 19.6" x 4.1")
- Carton Dimension: 595 x 575 x 250mm(23.4" x 22.6" x 9.8")
- Weight: 12.6 kg (27.7 lbs)
15 kg (33.0lbs)(One-pack per carton)



SINGLE LED PHOTOMETRICS DIAGRAM



	5	10	15	20
2° R Lux	2,570	643	286	161
2° G Lux	2,790	698	310	175
2° B Lux	519	130	58	33
2° W Lux	5,980	1,495	665	374
Diameter(m)	0.17	0.35	1.05	1.4

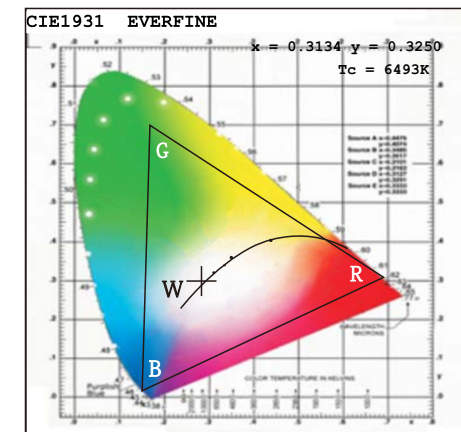


JOINT SCHEMATICS

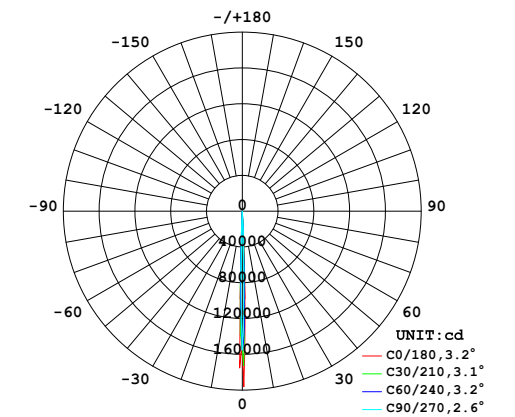


FUNCTIONAL EFFECT

CIE1931 CHROMATICITY COORDINATES



LUMINOUS INTENSITY DISTRIBUTION DIAGRAM



DIMENSIONS mm (in.)

