

KRAKEN™

XL 300 BEAM IP

FEATURES

- High Efficiency 260W LED laser module with 230mm frontal lens for greater performance
- Color Wheel: 15 complimentary colors plus open, with continuous rotating in both directions to create the dynamic rainbow effect
- Rotating & Interchangeable Gobo Wheel: 11 high-precision gobos
- 2 Combinable Rotating and Indexable Prisms: one 8-facet prism, one 24-facet prism
- Outstanding strobe effect with variable speed
- 0-100% smooth dimming
- Linear motorized focus
- Flicker free management
- Dust-proof and oil-proof design



TECHNICAL SPECIFICATIONS

Specifications

- Light Source: 1 x 260W Laser module
- Beam Angle: 0.8°
- Total lumen output up to 12,000lm
- Light Source life expectancy: 12,000 hours*

Control

- DMX Channel: 18 Channel
- Protocols: DMX512, RDM
- Firmware upgrade via DMX link

Pan/Tilt

- Pan/Tilt movement: 540° / 270°
- Pan/Tilt Resolution: 16-bit
- Fixation: Pan/Tilt lock

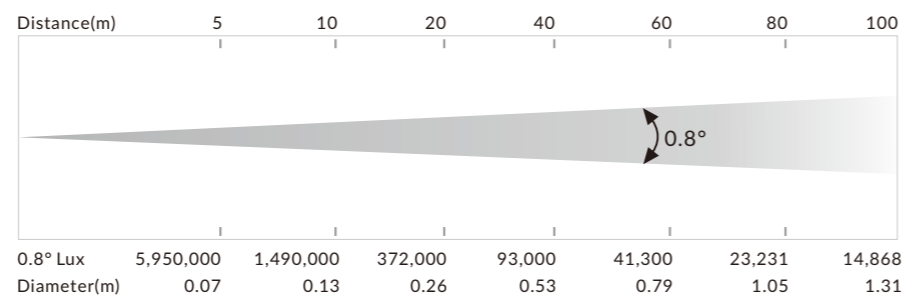
Construction

- Display: LCD display
- Data In/Out: 3-pin or 5-pin IP XLR
- Power In/Out: Waterproof Power Connector in/out
- Protection Rating: IP66

Electrical and Physical

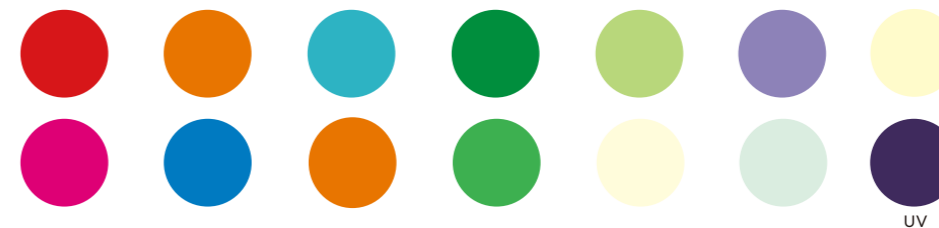
- Input voltage range: 100-240V~ 50/60Hz
- Power Consumption: 405W
- Dimensions: 499x330x794mm(19.6"x13.0"x31.3")
- F/C Dimensions: 715 x 595 x 905mm(28.1"x23.4"x35.6")
- Weight: 45kg(99.2lbs)
90.5kg (199.5lbs)(include F/C, single loader case)

PHOTOMETRICS DIAGRAM

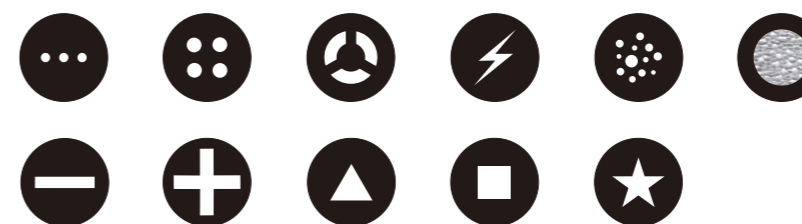


FUNCTIONAL EFFECT

Color Wheel



Gobo Wheel



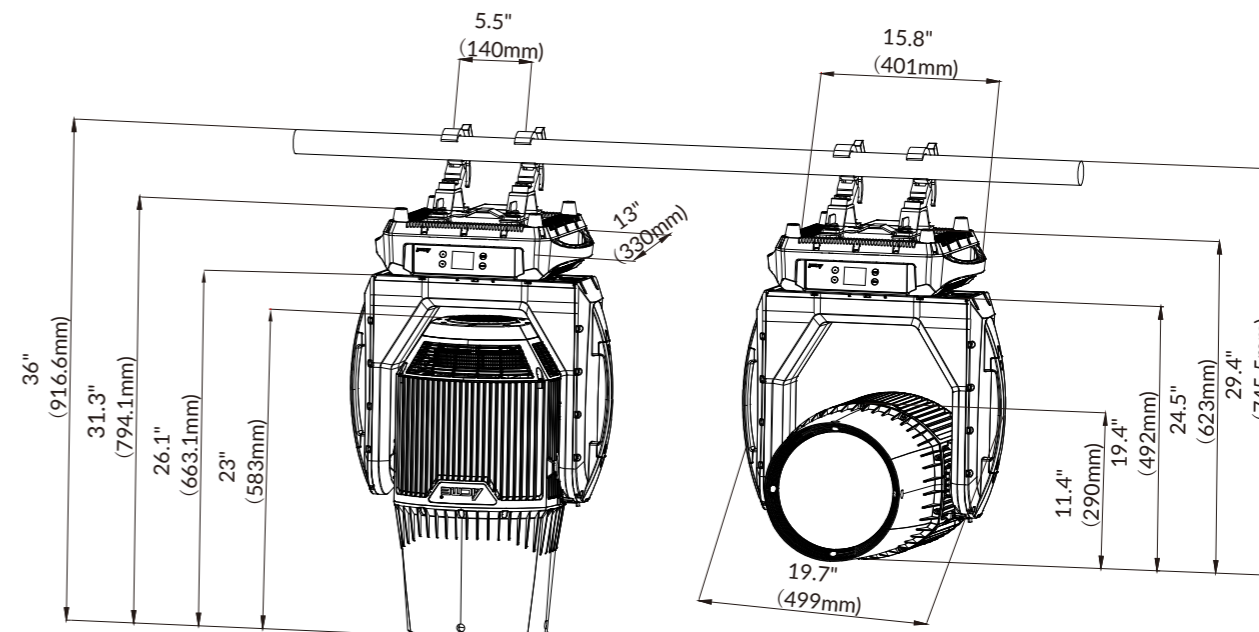
8-Facet Prism



24-Facet Prism



DIMENSIONS mm (in.)



(*Light Source's working life depends on the cycle ratio of its usage pattern and other environmental factors, such as dust, oil, temperature, humidity, etc.)

