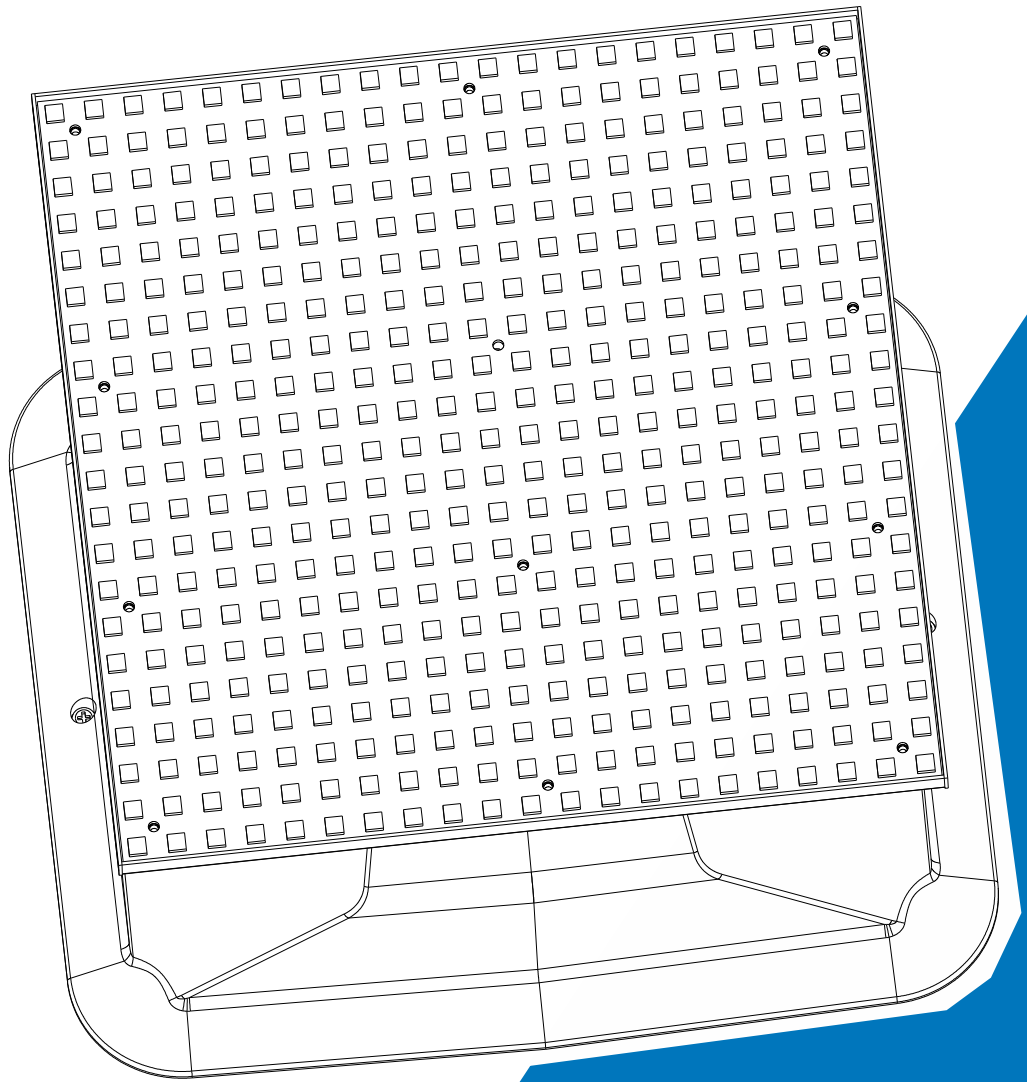


ACME[®]

BIG BANG



User Manual

Please read the instruction carefully before use

CONTENTS

01/ Safety Instructions.....	2
02/ Technical Specifications	4
03/ Control Panel.....	6
04/ Fixture Installation.....	7
05/ How To Set The Unit.....	9
5.1 Main Functions	9
5.2 Home Position Adjustment	19
06/ Control By Universal DMX Controller.....	22
6.1 DMX512 Connection.....	22
6.2 Address Setting.....	23
6.3 DMX512 Configuration	23
07/ Error Information	35
08/ Troubleshooting	36
09/ Fixture Cleaning.....	37

01/ Safety Instructions



Please read the instruction carefully which includes important information about the installation, usage and maintenance.

WARNING

Please keep this User Guide for future consultation. If you sell the unit to another user, be sure that they also receive this instruction manual.

Important:

Damages caused by the disregard of this user manual are not subject to warranty. The dealer will not accept liability for any resulting defects or problems.

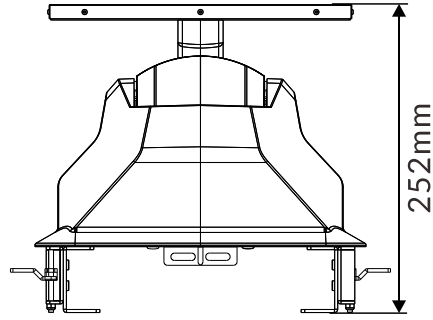
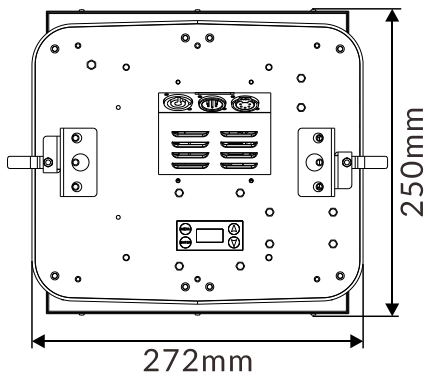
- Unpack and check carefully to ensure that there is no transportation damage before using the unit.
- This product is for indoor use only. Use only in a dry location.
- DO install and operate by qualified operator.
- DO NOT allow children to operate the fixture.
- Use safety chain when fixing the unit. Handle the unit by carrying its base instead of head only.
- The unit must be installed in a location with adequate ventilation, at least 50cm from adjacent surfaces.
- Be sure that no ventilation slots is blocked, otherwise the unit will be overheated.
- Before operation, ensure that you are connecting this product to the proper voltage in accordance with the specifications in this manual or on the product's specification label.
- It's important to ground the yellow/green conductor to earth in order to avoid electric shock.
- Minimum ambient temperature TA: 0°C. Maximum ambient temperature TA: 40°C. Do not operate this product at a lower or higher temperature.
- DO NOT connect the device to any dimmer pack.
- Keep flammable materials away from the fixture while operating to avoid fire hazard.
- Make sure the power cord is not crimped or damaged; replace it immediately if damaged.
- Unit's surface temperature may reach up to 75°C. DO NOT touch the housing bare-handed during its operation.
- Avoid any flammable liquids, water or metal from entering the unit. Once it happens, cut

off the mains power immediately.

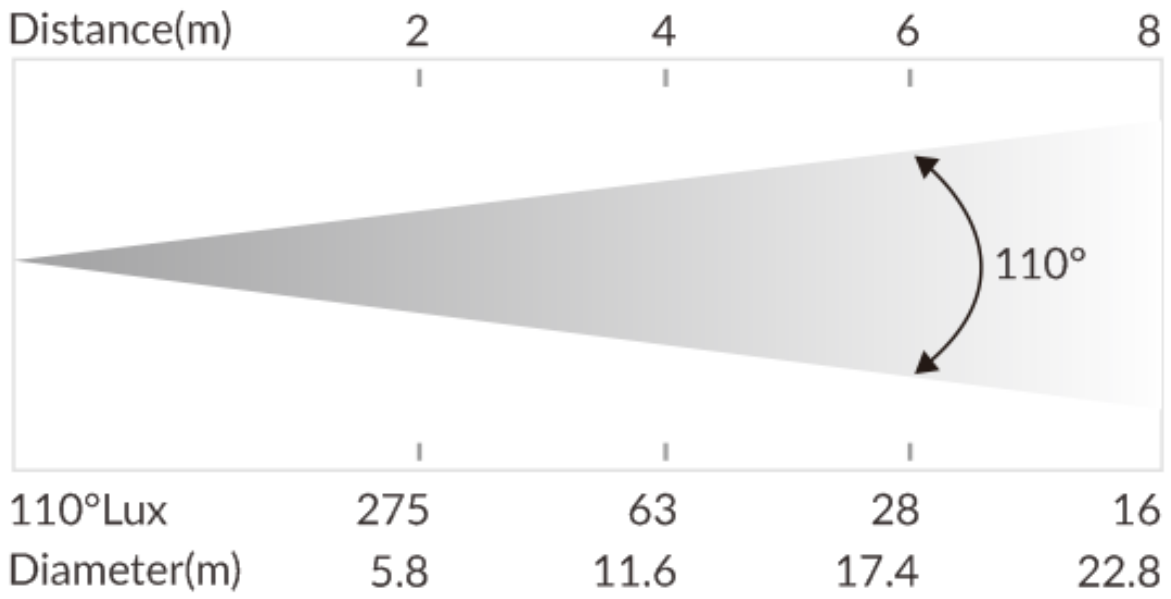
- DO NOT operate in a dirty or dusty environment. DO clean the fixture regularly.
- DO NOT touch any wire during operation as there might be a hazard of electric shock.
- Avoid entanglement of the power cord with other wires.
- The minimum distance to objects/surface must be more than 0.5 meters.
- In the event of serious operating problem, stop using the unit immediately.
- Never turn on and off the unit time after time.
- The housing, the lenses, or the ultraviolet filter must be replaced if they are visibly damaged.
- DO NOT open the housing as there are no user serviceable parts inside.
- DO NOT attempt to operate this unit if it becomes damaged. DO NOT attempt any repairs yourself. Repairs carried out by unskilled people can lead to damage or malfunction. Please contact the nearest authorized technical assistance center if needed.
- Disconnect this product from its power source before servicing.
- DO use the original packaging if the device is to be transported.
- Avoid direct eye exposure to the light source while the product is on.
- DO NOT operate this product if you see damage on the housing, shields, or cables. Have the damaged parts replaced by an authorized technician at once.

02/ Technical Specifications

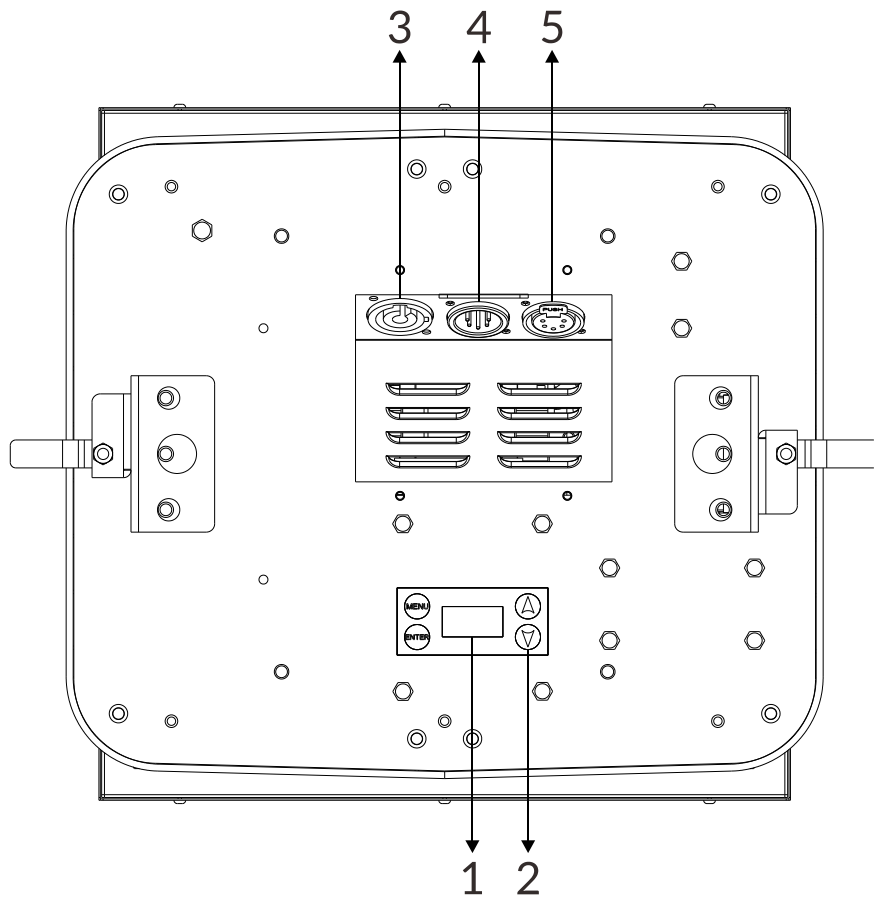
Power Voltage	100-240V~ 50/60Hz		
Power Consumption	150W		
Light Source	441x0.3W RGB LED		
Beam Angle	110°		
Field Angle	150°		
Movement	Pan	76°	
	Tilt	76°	
	Pan/Tilt Resolution	16 bit	
Dimmer/Strobe	0-100% smooth dimming; outstanding strobe effect with variable speed		
Control	DMX Channel	156/16 Channels	
	Control Mode	DMX512	
		RDM	
Firmware Upgrade	Firmware Upgrade via DMX link		
Construction	Display	OLED display	
	Data In/Out	5-pin XLR (3-pin XLR is optional)	
	Power In/Out	Power Connector in	
	Protection Rating	IP20	
Features	Compact design, light in weight		
	49 RGB LED zones with individual control		
	Outstanding color mixing effect		
	Quick splicing in horizontal and vertical direction, side hanging directly or hanging with clamp		
Dimensions	272x250x252mm	10.7"x9.8"x9.9" in	
Weight	5kgs	11lbs	



Photometric Diagram:



03/ Control Panel

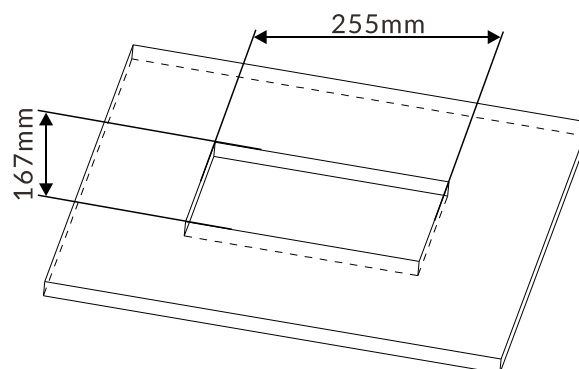


1. Display	To show the various menus and the selected function	
2. Buttons	MENU	To enter into move backward or leave the menu
	▲ UP	To go backward to move up in the menu
	▼ DOWN	To go forward to move down in the menu
	ENTER	To perform the desired functions
3. POWER IN	To connect to supply power	
4. DMX IN	For DMX512 link, use 5-pin XLR cable to link the unit and DMX controller to input DMX signal (3-pin XLR cable is optional)	
5. DMX OUT	For DMX512 link, use 5-pin XLR cable to link the next units to output DMX signal (3-pin XLR cable is optional)	

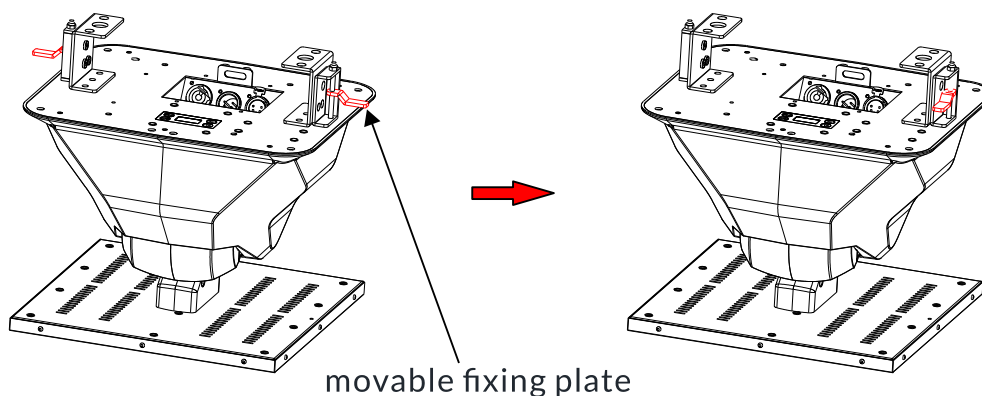
04/ Fixture Installation

- ▶ DO install and operate by qualified operator. Fixture(s) should be installed in areas outside walking paths, seating areas, or away from areas where unauthorized personnel might reach the fixture by hand. NEVER stand directly below the fixture(s) when rigging, removing or servicing.
- ▶ Always ensure that the unit is firmly fixed to avoid vibration and slipping off during operation. Ensure that the trussing or area of installation must be able to hold 10 times the weight without any deformation. Always attach a safety cable that can hold at least 12 times the weight of the fixture whenever installing this fixture in a suspended environment to ensure that the fixture will not fall if the clamp fails.

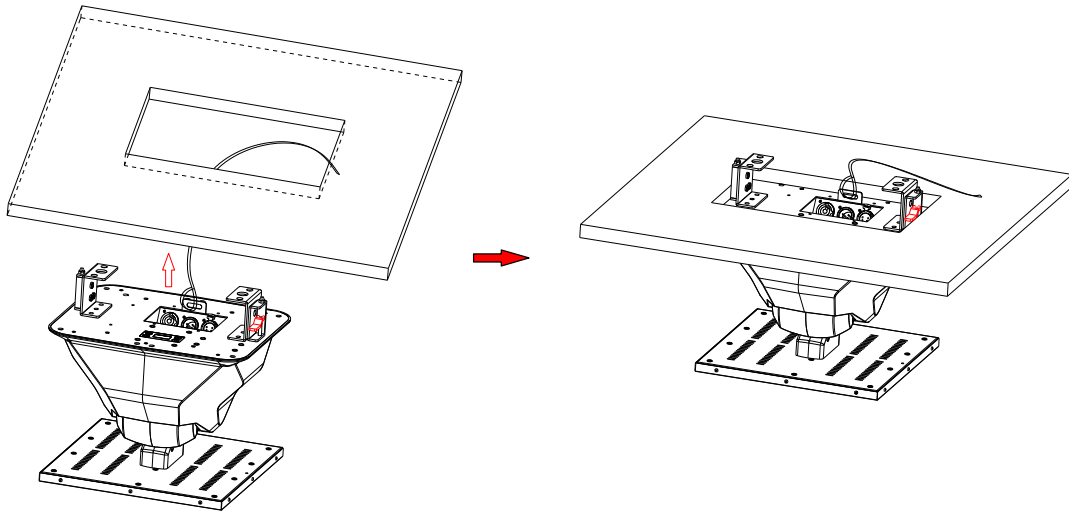
1. Drill a rectangular hole with a length of 255mm and a width of 167mm in the ceiling. The ceiling thickness range is $6\text{mm} \leq L \leq 29\text{mm}$.



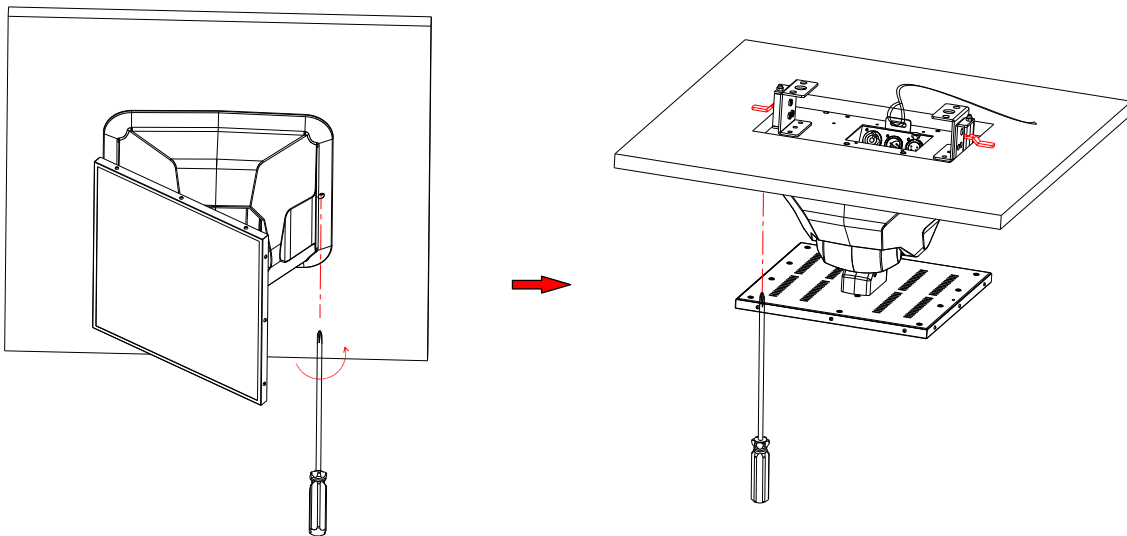
2. Adjust the two movable fixing plates of the fixture inward and stick to the fixture shell.



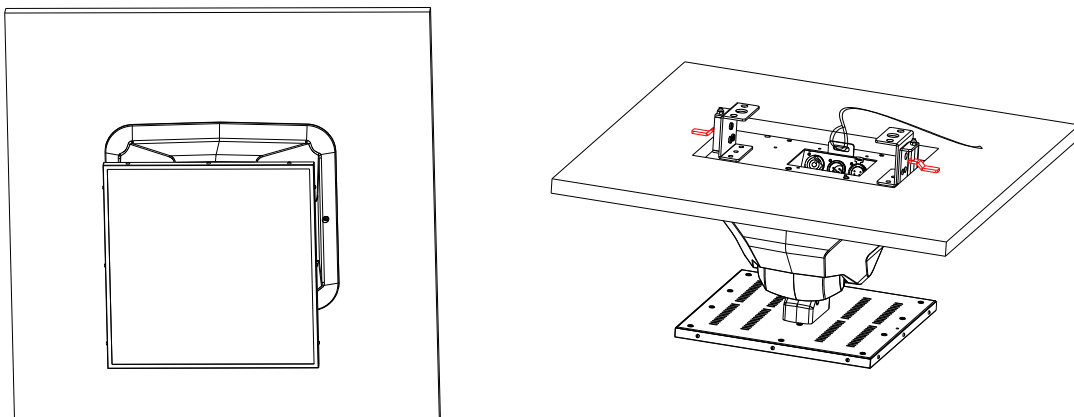
3. Install the safety cable and push the fixture from the bottom to the ceiling to be flush with the ceiling surfacing.



4. Screw the two screws clockwise to open the movable fixing plates outwards until they press against the back of the ceiling.



5. Installation completed.



05/ How To Set The Unit

5.1 Main Functions

- ▶ To access the control menus, press the [MENU] button.
- ▶ Navigate the menu structure, using the [ENTER], [▲ UP] and [▼ DOWN] buttons.
- ▶ To select a menu option or to confirm a selection, press the [ENTER] button.
- ▶ To return to a higher level in the menu structure without making a change, press the [MENU] button, or wait 30 seconds.

The main functions are shown below:

MENU	SUBMENU	OPTIONS	
DMX Settings	DMX Address	1-357 (156 CH)	(Default=1)
		1-497 (16 CH)	
	Channel Mode	156 Channel	
		16 Channel	
	No DMX Status	Blackout	
		Hold	
Manual			
View DMX Value			
Fixture Settings	Pan Invert	No	
		Yes	
	Tilt Invert	No	
		Yes	
	Dimmer Curve	Linear	
		Square Law	
		Inv SQ Law	
		S Curve	
	Dimmer Speed	Fast	
		Smooth	

MENU	SUBMENU	OPTIONS			
	White Balance	Red	125-255		
		Green	125-255		
		Blue	125-255		
		Red 1	125-255		
		Green 1	125-255		
		Blue 1	125-255		
			
		Red 49	125-255		
		Green 49	125-255		
		Blue 49	125-255		
	Invert Pixel	No			
Yes					
Display Settings	Display Invert	No			
		Yes			
	Temperature Unit	°C			
		°F			
Fixture Test	Auto Test				
	Manual Test	Mode 1		Mode 2	
		Clear	No/Yes	Clear	No/Yes
		Pan	0-255	Pan	0-255
		Tilt	0-255	Tilt	0-255
		Strobe	0-255	Strobe	0-255
		Dimmer	0-255	Dimmer	0-255
		Red 1	0-255	Red	0-255
		Green 1	0-255	Green	0-255
		Blue 1	0-255	Blue	0-255
		0-255	Color	0-255
		Red 49	0-255	Color Dim	0-255
		Green 49	0-255	Pixel	0-255
		Blue 49	0-255	Pixel Macro	0-255

MENU	SUBMENU	OPTIONS			
Information	Fixture Use Hour				
	LED Use Time	Total LED Hour			
		LED On Hour			
		LED Hours Reset	No		
	Temperature		Yes	Password=050	
		LED		Current	Max temp
	Firmware Version				
	RDM UID				
	Error Logs	Fixture Errors			
		Reset Error Log	No		
		Yes	Password=050		
Reset Functions	All Reset	No			
		Yes			
Factory Restore	No				
	Yes				

DMX Settings

Enter the control menu and select **DMX Settings**, press ENTER. Use the UP/DOWN button to select **DMX Address**, **Channel Mode**, **No DMX Status** or **View DMX Value**.

DMX Address

Select **DMX Address**, press ENTER.

Use UP/DOWN button to select an address, confirm your selection with ENTER.

CHANNEL MODE	DMX ADDRESS
156 Channel	1-357
16 Channel	1-497

To exit the menu, press MENU, or wait 30 seconds.

Channel Mode

Select **Channel Mode**, press ENTER.

Use UP/DOWN button to select between **156 Channel** and **16 Channel**, confirm your selection with ENTER.

To exit the menu, press MENU, or wait 30 seconds.

No DMX Status

Select **No DMX Status**, press ENTER.

Use UP/DOWN button to select one of the following status:

Blackout (Fixture blacks out if DMX signal stops)

Hold (The device continues to operate in the current mode with the last active DMX values until the signal returns)

Manual (The device accepts the DMX value stored in the 'Manual Test' menu)

Confirm your selection with ENTER.

To exit the menu, press MENU, or wait 30 seconds.

View DMX Value

Select **View DMX Value**, press ENTER.

Use UP/DOWN button to select the desired DMX channel, for which the value is to be displayed.

To exit the menu, press MENU, or wait 30 seconds.

Fixture Settings

Enter the control menu and select **Fixture Settings**, press ENTER. Use the UP/DOWN button to select **Pan Invert**, **Tilt Invert**, **Dimmer Curve**, **Dimmer Speed**, **White Balance** or **Invert Pixel**.

Pan Invert

Select **Pan Invert**, press ENTER.

Use UP/DOWN button to select **No** (pan invert deactivated) or **Yes** (pan invert activated), confirm your selection with ENTER.

To exit the menu, press MENU, or wait 30 seconds.

Tilt Invert

Select **Tilt Invert**, press ENTER.

Use UP/DOWN button to select **No** (tilt invert deactivated) or **Yes** (tilt invert activated), confirm your selection with ENTER.

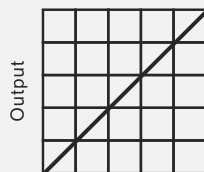
To exit the menu, press MENU, or wait 30 seconds.

Dimmer Curve

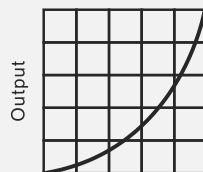
Select **Dimmer Curve**, press ENTER.

Use UP/DOWN button to select **Linear**, **Square Law**, **Inv SQ Law** or **S Curve**, confirm your selection with ENTER.

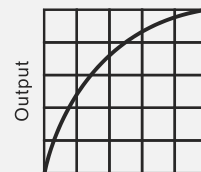
Dimmer Modes



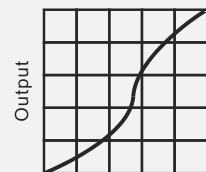
Optically Linear



Square Law



Inverse Square Law



S-curve

To exit the menu, press MENU, or wait 30 seconds.

Dimmer Speed

Select **Dimmer Speed**, press ENTER.

Use UP/DOWN button to select **Fast** or **Smooth**, confirm your selection with ENTER.

To exit the menu, press MENU, or wait 30 seconds.

White Balance

Select **White Balance**, press ENTER.

Use UP/DOWN button to select **Red**, **Green**, **Blue**, **Red 1**, **Green 1**, **Blue 1.....** or **Red 49**, **Green 49**, **Blue 49**, confirm your selection with ENTER.

Use UP/DOWN button to select a value between **125** and **255**, confirm your selection with ENTER.

To exit the menu, press MENU, or wait 30 seconds.

Invert Pixel

Select **Invert Pixel**, press ENTER.

Use UP/DOWN button to select **No** or **Yes**, confirm your selection with ENTER.

To exit the menu, press MENU, or wait 30 seconds.

Display Settings

Enter the control menu and select **Display Settings**, press ENTER. Use the UP/DOWN button to select **Display Invert** or **Temperature Unit**.

Display Invert

Select **Display Invert**, press ENTER.

Use UP/DOWN button to select **No** (display normal) or **Yes** (display inverted), confirm your selection with ENTER.

To exit the menu, press MENU, or wait 30 seconds.

Temperature Unit

Select **Temperature Unit**, press ENTER.

Use UP/DOWN button to select **°C** or **°F**, confirm your selection with ENTER.

To exit the menu, press MENU, or wait 30 seconds.

Fixture Test

Enter the control menu and select **Fixture Test**, press ENTER. Use the UP/DOWN button to select **Auto Test** or **Manual Test**.

Auto Test

Select **Auto Test**, press ENTER.

The device immediately performs an automatic self-test.

To end the automatic self-test and exit the menu, press MENU, or wait 30 seconds.

Manual Test

Select **Manual Test**, press ENTER.

Use UP/DOWN button to select the channel for which the manual test is to be performed, confirm your selection with ENTER.

Use UP/DOWN button to select a value, confirm your selection with ENTER.

To exit the menu, press MENU, or wait 30 seconds.

(The device returns to its original DMX state after the manual test. The test values are saved automatically when the device is switched off.)

Information

Enter the control menu and select **Information**, press ENTER. Use the UP/DOWN button to select **Fixture Use Hour**, **LED Use Time**, **Temperature**, **Firmware Version**, **RDM UID** or **Error Logs**.

Fixture Use Hour

Select **Fixture Use Hour**, press ENTER.

The operating hours is displayed.

To exit the menu, press MENU, or wait 30 seconds.

LED Use Time

Select **LED Use Time**, press ENTER.

Use UP/DOWN button to select **Total LED Hour** (total time) or **LED On Hour** (current switch-on time), confirm your selection with ENTER.

The total time or current switch-on time is displayed.

Use UP/DOWN button to select **LED Hours Reset**, confirm your selection with ENTER.

If you wish to reset the LED operating hours, select **Yes**. If you do not wish to reset anything, select **No**. Confirm your selection with ENTER.

If you select **Yes**, use UP/DOWN button to set the password 050, confirm your selection with ENTER. The LED operating hours is reset.

To exit the menu, press MENU, or wait 30 seconds.

Temperature

Select **Temperature**, press ENTER.

The device temperature is displayed.

To exit the menu, press MENU, or wait 30 seconds.

Firmware Version

Select **Firmware Version**, press ENTER.

The firmware version is displayed.

To exit the menu, press MENU, or wait 30 seconds.

RDM UID

Select **RDM UID**, press ENTER.

The RDM UID is displayed.

To exit the menu, press MENU, or wait 30 seconds.

Error Logs

Select **Error Logs**, press ENTER.

Use UP/DOWN button to select **Fixture Errors**, confirm your selection with ENTER.

The error list is displayed.

Use UP/DOWN button to select **Reset Error Log**, confirm your selection with ENTER.

If you wish to reset the relevant error logs, select **Yes**. If you do not wish to reset anything, select **No**. Confirm your selection with ENTER.

If you select **Yes**, use UP/DOWN button to set the password 050, confirm your selection with ENTER. The relevant error logs are reset.

To exit the menu, press MENU, or wait 30 seconds.

Reset Functions

Enter the control menu and select **Reset Functions**, press ENTER. Use the UP/DOWN button to select **All Reset**.

All Reset

Select **All Reset**, press ENTER.

Use UP/DOWN button to select **No** or **Yes** (the device will run built-in program to reset all to their home positions), confirm your selection with ENTER.

To exit the menu, press MENU, or wait 30 seconds.

Factory Restore

Select **Factory Restore**, press ENTER.

If you wish to reset the device to the factory settings, select **Yes**. If you do not wish to reset anything, select **No**. Confirm your selection with ENTER.

To exit the menu, press MENU, or wait 30 seconds.

RDM functions: Certain menus of the device and functions can be called up via the RDM protocol.

The parameter IDs are implemented as follows for different commands:

Parameter ID	Command 'Discovery'	Command 'Set'	Command 'Get'
DISC_UNIQUE_BRANCH	✓		
DISC_MUTE	✓		
DISC_UN_MUTE	✓		
DEVICE_INFO			✓
SUPPORTED_PARAMETERS			✓
SOFTWARE_VERSION_LABEL			✓
DMX_START_ADDRESS		✓	✓
IDENTIFY_DEVICE		✓	✓
DEVICE_MODEL_DESCRIPTION			✓
PARAMETER_DESCRIPTION			✓
MANUFACTURER_LABEL			✓
DEVICE_LABEL		✓	✓
FACTORY_DEFAULTS		✓	✓
BOOT_SOFTWARE_VERSION_ID			✓
BOOT_SOFTWARE_VERSION_LABEL			✓
DMX_PERSONALITY		✓	✓
DMX_PERSONALITY_DESCRIPTION			✓
SLOT_INFO			✓
SLOT_DESCRIPTION			✓
SENSOR_DEFINITION			✓
SENSOR_VALUE			✓
DEVICE_HOURS			✓
LAMP_HOURS			✓
PAN_INVERT		✓	✓
TILT_INVERT		✓	✓
CURVE		✓	✓
DMX_STATE		✓	✓
DIMMER_SPEED		✓	✓
MOTOR_OFFSET		✓	✓

✓ -Command implemented for the respective parameter ID

5.2 Home Position Adjustment

- ▶ To access the control menus, press the [MENU] button.
- ▶ To access the offset menus, long-press the [ENTER] button.
- ▶ Navigate the offset menus, using the [ENTER], [▲ UP] and [▼ DOWN] buttons.
- ▶ To select a menu option or to confirm a selection, press the [ENTER] button.
- ▶ To return to a higher level in the menu structure without making a change, press the [MENU] button, or wait 30 seconds.

OFFSET MENU	VALUES
Pan	-128~127
Tilt	-128~127
Red	0~1000
Green	0~1000
Blue	0~1000
Red 1	0~1000
Green 1	0~1000
Blue 1	0~1000
.....
Red 49	0~1000
Green 49	0~1000
Blue 49	0~1000

Pan

Select **Pan**, press ENTER.

Use UP/DOWN button to select a value between -128 and 127, confirm your selection with ENTER.

To exit the offset menu, press MENU, or wait 30 seconds.

Tilt

Select **Tilt**, press ENTER.

Use UP/DOWN button to select a value between -128 and 127, confirm your selection with ENTER.

To exit the offset menu, press MENU, or wait 30 seconds.

Red

Select **Red**, press ENTER.

Use UP/DOWN button to select a value between 0 and 1000, confirm your selection with ENTER.

To exit the offset menu, press MENU, or wait 30 seconds.

Green

Select **Green**, press ENTER.

Use UP/DOWN button to select a value between 0 and 1000, confirm your selection with ENTER.

To exit the offset menu, press MENU, or wait 30 seconds.

Blue

Select **Blue**, press ENTER.

Use UP/DOWN button to select a value between 0 and 1000, confirm your selection with ENTER.

To exit the offset menu, press MENU, or wait 30 seconds.

Red 1

Select **Red 1**, press ENTER.

Use UP/DOWN button to select a value between 0 and 1000, confirm your selection with ENTER.

To exit the offset menu, press MENU, or wait 30 seconds.

Green 1

Select **Green 1**, press ENTER.

Use UP/DOWN button to select a value between 0 and 1000, confirm your selection with ENTER.

To exit the offset menu, press MENU, or wait 30 seconds.

Blue 1

Select **Blue 1**, press ENTER.

Use UP/DOWN button to select a value between 0 and 1000, confirm your selection with ENTER.

To exit the offset menu, press MENU, or wait 30 seconds.

.....

Red 49

Select **Red 49**, press ENTER.

Use UP/DOWN button to select a value between 0 and 1000, confirm your selection with ENTER.

To exit the offset menu, press MENU, or wait 30 seconds.

Green 49

Select **Green 49**, press ENTER.

Use UP/DOWN button to select a value between 0 and 1000, confirm your selection with ENTER.

To exit the offset menu, press MENU, or wait 30 seconds.

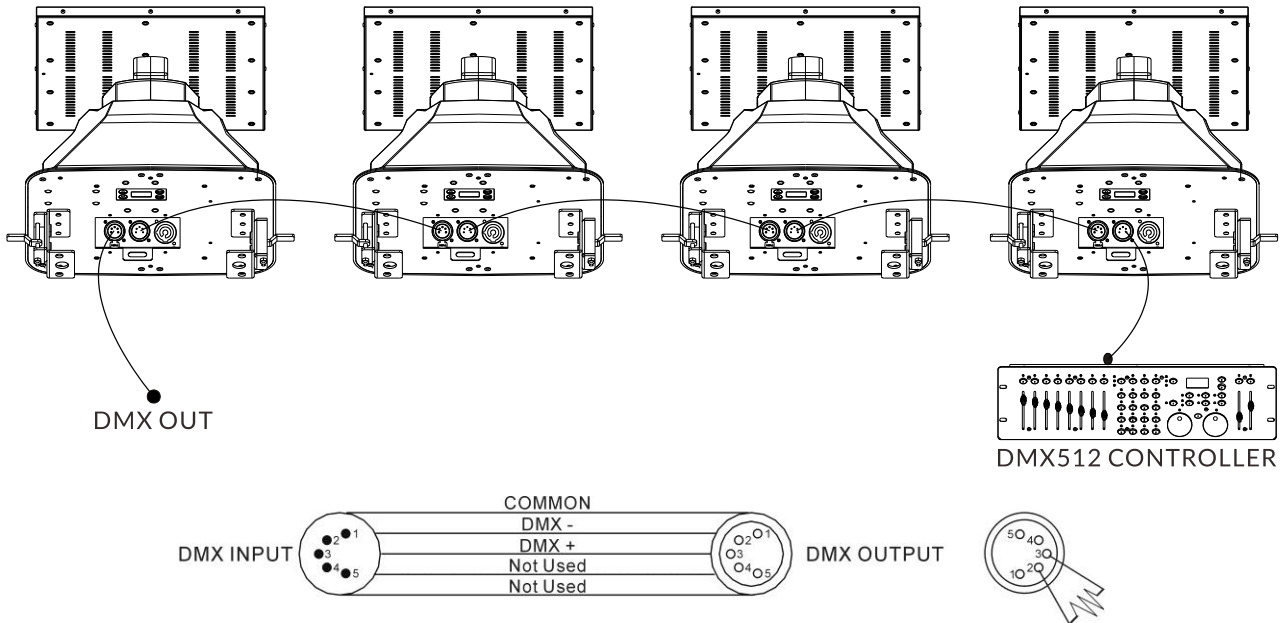
Blue 49

Select **Blue 49**, press ENTER.

Use UP/DOWN button to select a value between 0 and 1000, confirm your selection with ENTER.

To exit the offset menu, press MENU, or wait 30 seconds.

6.1 DMX512 Connection



1. At last unit, the DMX cable has to be terminated with a terminator. Solder a 120-ohm 1/4W resistor between pin 2(DMX-) and pin 3(DMX+) into a 3-pin XLR-plug and plug it in the DMX-output of the last unit.
2. Connect the unit together in a “daisy chain” by XLR plug cable from the output of the unit to the input of the next unit. The cable can only be used in series and cannot be connected in parallel. DMX 512 is a very high-speed signal. Inadequate or damaged cables, soldered joints or corroded connectors can easily distort the signal and shut down the system.
3. The DMX output and input connectors are pass-through to maintain the DMX circuit, when one of the units’ power is disconnected.
4. Each lighting unit needs to have a DMX address to receive the data by the controller. The address number is between 1-512.
5. The end of the DMX 512 system should be terminated to reduce signal errors.
6. 3 pin XLR connectors are more popular than 5 pins XLR.
 - 3 pin XLR: Pin 1: GND, Pin 2: Negative signal (-), Pin 3: Positive signal (+)
 - 5 pin XLR: Pin 1: GND, Pin 2: Negative signal (-), Pin 3: Positive signal (+), Pin4, Pin5 not used.

6.2 Address Setting

If you use a universal DMX controller to control the units, you have to set DMX address between 1 and 512 so that the units can receive DMX signal.

Press the MENU button to access the control menus, select DMX Settings, press the ENTER button to confirm. Use the UP/DOWN button to select DMX Address, press the ENTER button to confirm, the present address will show on the display. Use the UP/DOWN button to adjust the address between 001 and 512, press the ENTER button to store. To exit the menu, press MENU, or wait 30 seconds.

Please refer to the following diagram to address your DMX512 channel for the first 4 units.

Channel Mode	Unit 1 Address	Unit 2 Address	Unit 3 Address	Unit 4 Address
156 channels	1	157	313	469
16 channels	1	17	33	49

6.3 DMX512 Configuration

Please control the fixture by referring to the configurations below.

Attentions:

- ▶ The unit will maintain the last condition until reset if you cut-off the DMX signal.
- ▶ For the channel Function, keep the value for about 3 seconds, then the corresponding function will take into effect.

156 Channels (Mode 1):

CHANNEL	VALUE	FUNCTION
1	000-255	PAN 0°→76°
2	000-255	PAN FINE
3	000-255	TILT 0°→76°
4	000-255	TILT FINE
5	000-255	PAN/TILT SPEED Fast to Slow
6		STROBE

	000-007 008-015 016-131 132-139 140-181 182-189 190-231 232-239 240-247 248-255	Close Open Strobe from Slow to Fast Open Fast Open Slow Close from Slow to Fast Open Slow Open Fast Close from Slow to Fast Open Random Strobe from Slow to Fast Open
7	000-255	DIMMER 0%→100%
8	000-255	DIMMER FINE
9	000-029 030-039 040-049 050-059 060-069 070-139 140-149 150-209 210-219 220-229 230-255	SPECIAL FUNCTION Null Dimmer Curve: Linear Dimmer Curve: Square Law Dimmer Curve: Inverse Square Law Dimmer Curve: S Curve Null All Reset Null Dimmer Speed: Fast Dimmer Speed: Slow Null
10	000-255	RED 1 0%→100%
11	000-255	GREEN 1 0%→100%
12	000-255	BLUE 1 0%→100%
13	000-255	RED 2 0%→100%
14	000-255	GREEN 2 0%→100%
15	000-255	BLUE 2 0%→100%
16	000-255	RED 3 0%→100%
17	000-255	GREEN 3 0%→100%
18	000-255	BLUE 3 0%→100%
19	000-255	RED 4 0%→100%

20	000-255	GREEN 4 0%→100%
21	000-255	BLUE 4 0%→100%
22	000-255	RED 5 0%→100%
23	000-255	GREEN 5 0%→100%
24	000-255	BLUE 5 0%→100%
25	000-255	RED 6 0%→100%
26	000-255	GREEN 6 0%→100%
27	000-255	BLUE 6 0%→100%
28	000-255	RED 7 0%→100%
29	000-255	GREEN 7 0%→100%
30	000-255	BLUE 7 0%→100%
31	000-255	RED 8 0%→100%
32	000-255	GREEN 8 0%→100%
33	000-255	BLUE 8 0%→100%
34	000-255	RED 9 0%→100%
35	000-255	GREEN 9 0%→100%
36	000-255	BLUE 9 0%→100%
37	000-255	RED 10 0%→100%
38	000-255	GREEN 10 0%→100%
39	000-255	BLUE 10 0%→100%
40	000-255	RED 11 0%→100%
41	000-255	GREEN 11 0%→100%

42	000-255	BLUE 11 0%→100%
43	000-255	RED 12 0%→100%
44	000-255	GREEN 12 0%→100%
45	000-255	BLUE 12 0%→100%
46	000-255	RED 13 0%→100%
47	000-255	GREEN 13 0%→100%
48	000-255	BLUE 13 0%→100%
49	000-255	RED 14 0%→100%
50	000-255	GREEN 14 0%→100%
51	000-255	BLUE 14 0%→100%
52	000-255	RED 15 0%→100%
53	000-255	GREEN 15 0%→100%
54	000-255	BLUE 15 0%→100%
55	000-255	RED 16 0%→100%
56	000-255	GREEN 16 0%→100%
57	000-255	BLUE 16 0%→100%
58	000-255	RED 17 0%→100%
59	000-255	GREEN 17 0%→100%
60	000-255	BLUE 17 0%→100%
61	000-255	RED 18 0%→100%
62	000-255	GREEN 18 0%→100%
63	000-255	BLUE 18 0%→100%

64	000-255	RED 19 0%→100%
65	000-255	GREEN 19 0%→100%
66	000-255	BLUE 19 0%→100%
67	000-255	RED 20 0%→100%
68	000-255	GREEN 20 0%→100%
69	000-255	BLUE 20 0%→100%
70	000-255	RED 21 0%→100%
71	000-255	GREEN 21 0%→100%
72	000-255	BLUE 21 0%→100%
73	000-255	RED 22 0%→100%
74	000-255	GREEN 22 0%→100%
75	000-255	BLUE 22 0%→100%
76	000-255	RED 23 0%→100%
77	000-255	GREEN 23 0%→100%
78	000-255	BLUE 23 0%→100%
79	000-255	RED 24 0%→100%
80	000-255	GREEN 24 0%→100%
81	000-255	BLUE 24 0%→100%
82	000-255	RED 25 0%→100%
83	000-255	GREEN 25 0%→100%
84	000-255	BLUE 25 0%→100%
85	000-255	RED 26 0%→100%

86	000-255	GREEN 26 0%→100%
87	000-255	BLUE 26 0%→100%
88	000-255	RED 27 0%→100%
89	000-255	GREEN 27 0%→100%
90	000-255	BLUE 27 0%→100%
91	000-255	RED 28 0%→100%
92	000-255	GREEN 28 0%→100%
93	000-255	BLUE 28 0%→100%
94	000-255	RED 29 0%→100%
95	000-255	GREEN 29 0%→100%
96	000-255	BLUE 29 0%→100%
97	000-255	RED 30 0%→100%
98	000-255	GREEN 30 0%→100%
99	000-255	BLUE 30 0%→100%
100	000-255	RED 31 0%→100%
101	000-255	GREEN 31 0%→100%
102	000-255	BLUE 31 0%→100%
103	000-255	RED 32 0%→100%
104	000-255	GREEN 32 0%→100%
105	000-255	BLUE 32 0%→100%
106	000-255	RED 33 0%→100%
107	000-255	GREEN 33 0%→100%

108	000-255	BLUE 33 0%→100%
109	000-255	RED 34 0%→100%
110	000-255	GREEN 34 0%→100%
111	000-255	BLUE 34 0%→100%
112	000-255	RED 35 0%→100%
113	000-255	GREEN 35 0%→100%
114	000-255	BLUE 35 0%→100%
115	000-255	RED 36 0%→100%
116	000-255	GREEN 36 0%→100%
117	000-255	BLUE 36 0%→100%
118	000-255	RED 37 0%→100%
119	000-255	GREEN 37 0%→100%
120	000-255	BLUE 37 0%→100%
121	000-255	RED 38 0%→100%
122	000-255	GREEN 38 0%→100%
123	000-255	BLUE 38 0%→100%
124	000-255	RED 39 0%→100%
125	000-255	GREEN 39 0%→100%
126	000-255	BLUE 39 0%→100%
127	000-255	RED 40 0%→100%
128	000-255	GREEN 40 0%→100%
129	000-255	BLUE 40 0%→100%

130	000-255	RED 41 0%→100%
131	000-255	GREEN 41 0%→100%
132	000-255	BLUE 41 0%→100%
133	000-255	RED 42 0%→100%
134	000-255	GREEN 42 0%→100%
135	000-255	BLUE 42 0%→100%
136	000-255	RED 43 0%→100%
137	000-255	GREEN 43 0%→100%
138	000-255	BLUE 43 0%→100%
139	000-255	RED 44 0%→100%
140	000-255	GREEN 44 0%→100%
141	000-255	BLUE 44 0%→100%
142	000-255	RED 45 0%→100%
143	000-255	GREEN 45 0%→100%
144	000-255	BLUE 45 0%→100%
145	000-255	RED 46 0%→100%
146	000-255	GREEN 46 0%→100%
147	000-255	BLUE 46 0%→100%
148	000-255	RED 47 0%→100%
149	000-255	GREEN 47 0%→100%
150	000-255	BLUE 47 0%→100%
151	000-255	RED 48 0%→100%

152	000-255	GREEN 48 0%→100%
153	000-255	BLUE 48 0%→100%
154	000-255	RED 49 0%→100%
155	000-255	GREEN 49 0%→100%
156	000-255	BLUE 49 0%→100%

16 Channels (Mode 2):

CHANNEL	VALUE	FUNCTION
1	000-255	PAN 0°→76°
2	000-255	PAN FINE
3	000-255	TILT 0°→76°
4	000-255	TILT FINE
5	000-255	PAN/TILT SPEED Fast to Slow
6	000-255	RED 0%→100%
7	000-255	GREEN 0%→100%
8	000-255	BLUE 0%→100%
9	000-009 010-014 015-019 020-024 025-029 030-034 035-039 040-044 045-049 050-054 055-059 060-064 065-069 070-074 075-079	COLOR MACRO Open LEE 790-Moroccan Pink LEE 157-Pink LEE 332-Special Rose Pink LEE 328-Follies Pink LEE 345-Fuchsia Pink LEE 194-Surprise Pink LEE 181-Congo Blue LEE 071-Tokyo Blue LEE 120-Deep Blue LEE 079-Just Blue LEE 132-Medium Blue LEE 200-Double CT Blue LEE 161-State Blue LEE 201-Full CT Blue

	080-084 085-089 090-094 095-099 100-104 105-109 110-114 115-119 120-124 125-129 130-134 135-139 140-144 145-149 150-154 155-159 160-164 165-169 170-174 175-179 180-201 202-207 208-229 230-234 235-239 240-244 245-249 250-255	LEE 202-Half CT Blue LEE 117-Steel Blue LEE 353-Lighter Blue LEE 118-Light Blue LEE 116-Medium Blue Green LEE 124-Dark Green LEE 139-Primary Green LEE 089-Moss Green LEE 122-Fern Green LEE 738-JAS Green LEE 088-Lime Green LEE 100-Spring Yellow LEE 104-Deep Amber LEE 179-Chrome Orange LEE 105-Orange LEE 021-Gold Amber LEE 778-Millennium Gold LEE 135-Deep Gold Amber LEE 164-Flame Red Open Clockwise Rotation, Fast to Slow Stop Counter-clockwise Rotation, Slow to Fast Open Random Color: Fast Random Color: Medium Random Color: Slow Open
10	000-007 008-015 016-131 132-139 140-181 182-189 190-231 232-239 240-247 248-255	STROBE Close Open Strobe from Slow to Fast Open Fast Open Slow Close from Slow to Fast Open Slow Open Fast Close from Slow to Fast Open Random Strobe from Slow to Fast Open
11	000-255	DIMMER 0%→100%
12	000-255	DIMMER FINE
13	000-255	BACKGROUND DIMMER 0%→100%
14	000-014	EFFECT MODE Blackout

	015-047 048-095 096-135 136-175 176-215 216-255	Blackout Macro Effect (see channel 15-1) Number 1 to 9 (see channel 15-2) Letter A to Z (see channel 15-3) Blackout Blackout
15-1	000-007 008-015 016-023 024-031 032-039 040-047 048-055 056-063 064-071 072-079 080-087 088-095 096-103 104-111 112-119 120-127 128-135 136-143 144-151 152-159 160-167 168-175 176-183 184-191 192-199 200-207 208-215 216-223 224-231 232-247 248-255	MARCO EFFECT Null Effect 01 Effect 02 Effect 03 Effect 04 Effect 05 Effect 06 Effect 07 Effect 08 Effect 09 Effect 10 Effect 11 Effect 12 Effect 13 Effect 14 Effect 15 Effect 16 Effect 17 Effect 18 Effect 19 Effect 20 Effect 21 Effect 22 Effect 23 Effect 24 Effect 25 Effect 26 Effect 27 Effect 28 Random Effect Null
15-2	000-025 026-048 049-071 072-094 095-117 118-140 141-163 164-186	NUMBER 1 to 9 Null Number-0 Number-1 Number-2 Number-3 Number-4 Number-5 Number-6

	187-209 210-232 233-255	Number-7 Number-8 Number-9
15-3	000-021 022-030 031-039 040-048 049-057 058-066 067-075 076-084 085-093 094-102 103-111 112-120 121-129 130-138 139-147 148-156 157-165 166-174 175-183 184-192 193-201 202-210 211-219 220-228 229-237 238-246 247-255	LETTER A to Z Null Letter-A Letter-B Letter-C Letter-D Letter-E Letter-F Letter-G Letter-H Letter-I Letter-J Letter-K Letter-L Letter-M Letter-N Letter-O Letter-P Letter-Q Letter-R Letter-S Letter-T Letter-U Letter-V Letter-W Letter-X Letter-Y Letter-Z
16	000-029 030-039 040-049 050-059 060-069 070-139 140-149 150-209 210-219 220-229 230-255	SPECIAL FUNCTION Null Dimmer Curve: Linear Dimmer Curve: Square Law Dimmer Curve: Inverse Square Law Dimmer Curve: S Curve Null All Reset Null Dimmer Speed: Fast Dimmer Speed: Slow Null

07/ Error Information

Error codes are shown continuously in the display when the fixture fails and they will not disappear until the fixture is repaired.

Pan Reset Error

Check whether the position of the pan where the magnet is installed falls off or is damaged.

Check whether there are obstacles in the pan operating range.

Check whether the Hall element on the pan is damaged.

Check whether the lead connecting the Hall element on the pan and the PCB board is in poor contact or disconnected.

Check whether the motor on the pan is damaged.

Check whether the related circuit of the motor drive board on the pan is damage.

Tilt Reset Error

Check whether the position of the tilt where the magnet is installed falls off or is damaged.

Check whether there are obstacles in the tilt operating range.

Check whether the Hall element on the tilt is damaged.

Check whether the lead connecting the Hall element on the tilt and the PCB board is in poor contact or disconnected.

Check whether the motor on the tilt is damaged.

Check whether the related circuit of the motor drive board on the tilt is damage.

LED Temp. Error

Check whether the temperature detecting board is normal.

Check whether the components of the temperature detecting board are damaged.

Check whether the lead on the temperature detecting board is installed in place or disconnected.

LED Timeout Use

LED Too Hot Off

When the fixture temperature reaches 81°C, it will automatically turn off to protect the fixture.

08/ Troubleshooting

Following are a few common problems that may occur during operation. Here are some suggestions for troubleshooting:

A. The unit does not work and no light

- ▶ Check the connected power.
- ▶ Measure the voltage.
- ▶ Check the power indicator to see whether it can be lit up or not.

B. Not responding to the DMX controller

- ▶ Check whether the DMX connectors and the DMX cables are connected correctly.
- ▶ Check whether the DMX address is correctly set.
- ▶ If the intermittent DMX signal problem occurs, check whether the XLR socket and the signal cable are well connected.
- ▶ Try it with another DMX controller.
- ▶ Check whether the DMX cables run near or alongside to the high-voltage cables, which may damage or interfere with the signal circuit.

C. One of the channels is not working well

- ▶ The stepper motor might be damaged or the cable connected to the PCB might be broken.
- ▶ The motor's drive IC on the PCB might be out of condition.

09/ Fixture Cleaning

It is absolutely essential that the fixture is kept clean to ensure the maximum light-output and allow the fixture to function reliably throughout its life. The fixture must be cleaned regularly to avoid dust, dirt and smoke-fluid residues building up on or within the fixture. The cleaning frequency depends on the application environment. Clean the fixture immediately if the dust enters it to avoid damage to the optical lens due to excessive dust.

- ▶ A soft lint-free cloth moistened with any good glass cleaning fluid is recommended, under no circumstances should solvents be used.
- ▶ Always dry the parts carefully.
- ▶ Clean the external optical lens at least every 20 days.

Declaration of Conformity

We declare that our products (lighting equipments) comply with the following specification and bears CE mark in accordance with the provision of the Electromagnetic Compatibility (EMC) Directive 2014/30/EU.

EN 55032: 2015+A1: 2020; EN 55035: 2017+A11: 2020;
EN IEC 61000-3-2: 2019+A1: 2021;
EN 61000-3-3: 2013+A1: 2019+A2: 2021.

&

Harmonized Standard

EN 60598-2-17: 2018;
EN 60598-1: 2015/A1: 2018.
Safety of household and similar electrical appliances
Part 1: General requirements and tests



www.acme.com.cn