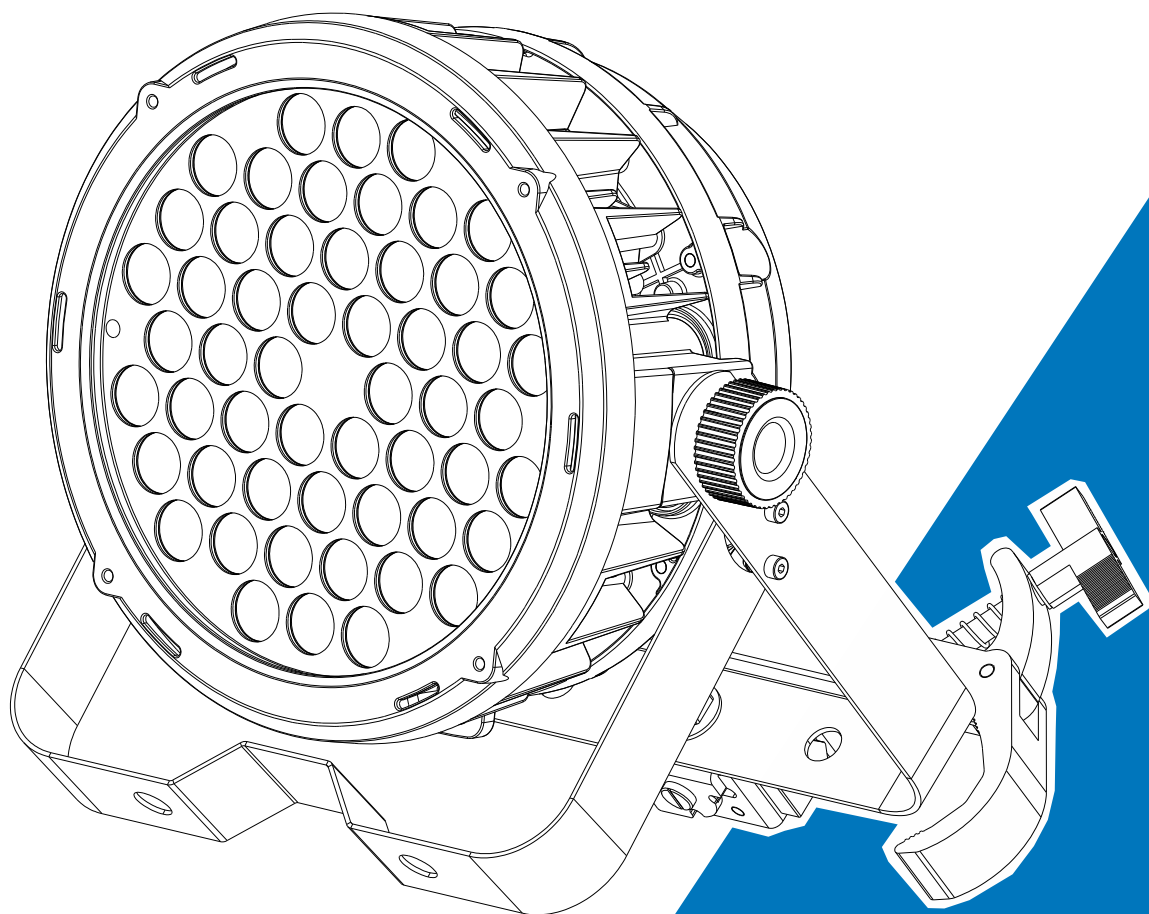


# Acme®

## SANDANE



### User Manual

Please read the instruction carefully before use

# CONTENTS

01/ Safety Instructions.....	2
02/ Technical Specifications .....	4
03/ Control Panel.....	6
04/ Fixture Installation.....	7
05/ How To Set The Unit.....	9
5.1 Main Functions .....	9
5.2 Home Position Adjustment .....	20
06/ Control By Universal DMX Controller.....	22
6.1 DMX512 Connection.....	22
6.2 Address Setting.....	23
6.3 DMX512 Configuration .....	23
07/ Error Information .....	30
08/ Troubleshooting .....	31
09/ Fixture Cleaning.....	31

## 01/ Safety Instructions



Please read the instruction carefully which includes important information about the installation, usage and maintenance.

### WARNING

Please keep this User Guide for future consultation. If you sell the unit to another user, be sure that they also receive this instruction manual.

#### Important:

**Damages caused by the disregard of this user manual are not subject to warranty. The dealer will not accept liability for any resulting defects or problems.**

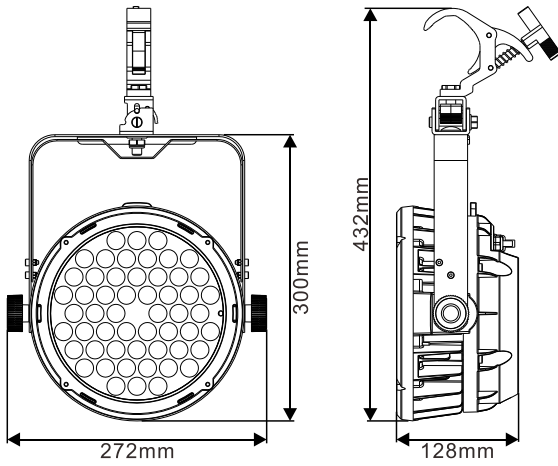
- Unpack and check carefully to ensure that there is no transportation damage before using the unit.
- This product is suitable for wet locations. Do not immerse in water.
- DO install and operate by qualified operator.
- DO NOT allow children to operate the fixture.
- Use safety chain when fixing the unit. Handle the unit by carrying its base instead of head only.
- The unit must be installed in a location with adequate ventilation, at least 50cm from adjacent surfaces.
- Be sure that no ventilation slots is blocked, otherwise the unit will be overheated.
- Before operation, ensure that you are connecting this product to the proper voltage in accordance with the specifications in this manual or on the product's specification label.
- It's important to ground the yellow/green conductor to earth in order to avoid electric shock.
- Minimum ambient temperature TA: 0°C. Maximum ambient temperature TA: 40°C. Do not operate this product at a lower or higher temperature.
- DO NOT connect the device to any dimmer pack.
- Keep flammable materials away from the fixture while operating to avoid fire hazard.
- Make sure the power cord is not crimped or damaged; replace it immediately if damaged.
- Unit's surface temperature may reach up to 65°C. DO NOT touch the housing bare-handed during its operation.
- Avoid any flammable liquids, water or metal from entering the unit. Once it happens, cut

off the mains power immediately.

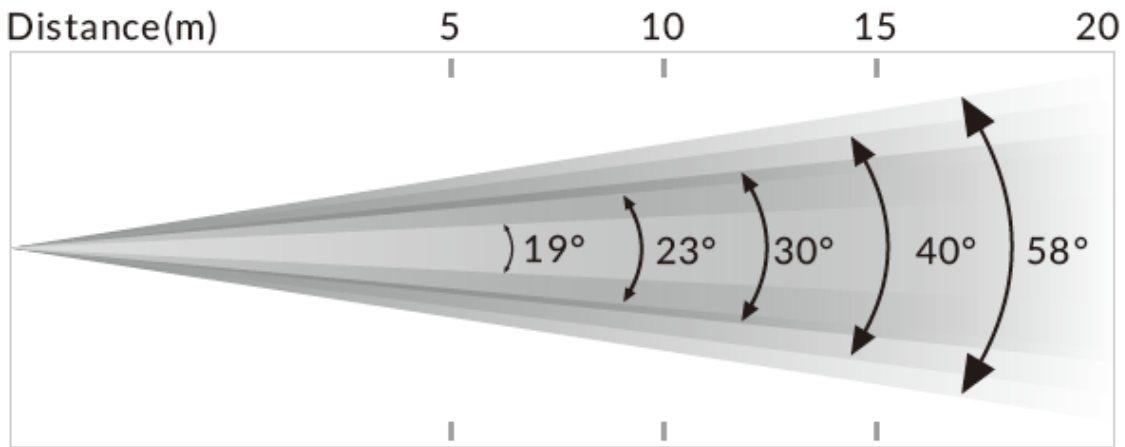
- DO NOT operate in a dirty or dusty environment. DO clean the fixture regularly.
- DO NOT touch any wire during operation as there might be a hazard of electric shock.
- Avoid entanglement of the power cord with other wires.
- The minimum distance to objects/surface must be more than 0.5 meters.
- In the event of serious operating problem, stop using the unit immediately.
- Never turn on and off the unit time after time.
- The housing, the lenses, or the ultraviolet filter must be replaced if they are visibly damaged.
- DO NOT open the housing as there are no user serviceable parts inside.
- DO NOT attempt to operate this unit if it becomes damaged. DO NOT attempt any repairs yourself. Repairs carried out by unskilled people can lead to damage or malfunction. Please contact the nearest authorized technical assistance center if needed.
- Disconnect this product from its power source before servicing.
- DO use the original packaging if the device is to be transported.
- Avoid direct eye exposure to the light source while the product is on.
- DO NOT operate this product if you see damage on the housing, shields, or cables. Have the damaged parts replaced by an authorized technician at once.

## 02/ Technical Specifications

<b>Power Voltage</b>	100-240V~ 50/60Hz	
<b>Power Consumption</b>	230W	
<b>Light Source</b>	54x6W RGBW LED	
<b>Beam Angle</b>	19°, 23°, 30°, 40°, 58°	
<b>Field Angle</b>	37°, 45°, 59°, 74°, 100°	
<b>Dimmer/Strobe</b>	0-100% smooth dimming; outstanding strobe effect with variable speed	
<b>Control</b>	DMX Channel	10/8/5/4/6 Channels
	Control Mode	DMX512
		RDM
		Primary/Secondary Mode
Firmware Upgrade	Firmware Upgrade via DMX link	
<b>Construction</b>	Display	OLED display
	Data In/Out	3-pin IP XLR (5-pin IP XLR is optional)
	Power In/Out	Waterproof Power Connector in/out
	Protection Rating	IP66
<b>Features</b>	Compact design, small size, light in weight	
	High output, low energy consumption	
	Variable CTO	
	Double hanging brackets	
	IP66 protection rating, which can be used outdoors all the year round	
	1 x fixed clamp for 50mm truss	
	Optional Half or Full size anti-glare snoot (optional)	
<b>Dimensions</b>	272x128x300mm	10.7"x5"x11.8" in
<b>Weight</b>	5.7kgs	12.6lbs

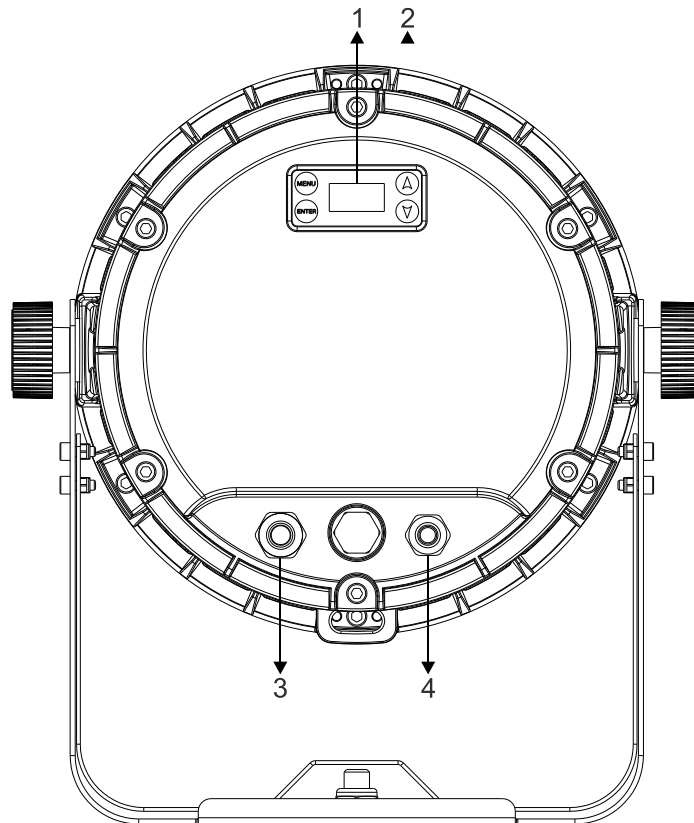


**Photometric Diagram:**



Distance(m)	5	10	15	20
19° Lux	2,950	738	328	184
Diameter(m)	1.67	3.3	5	6.7
23° Lux	2,780	695	309	174
Diameter(m)	2.1	4.1	6.2	8.2
30° Lux	1805	451	201	113
Diameter(m)	2.7	5.4	8.1	10.8
40° Lux	1250	313	139	78
Diameter(m)	3.6	7.2	10.8	14.4
58° Lux	850	213	94	53
Diameter(m)	5.6	11.2	16.7	22.3

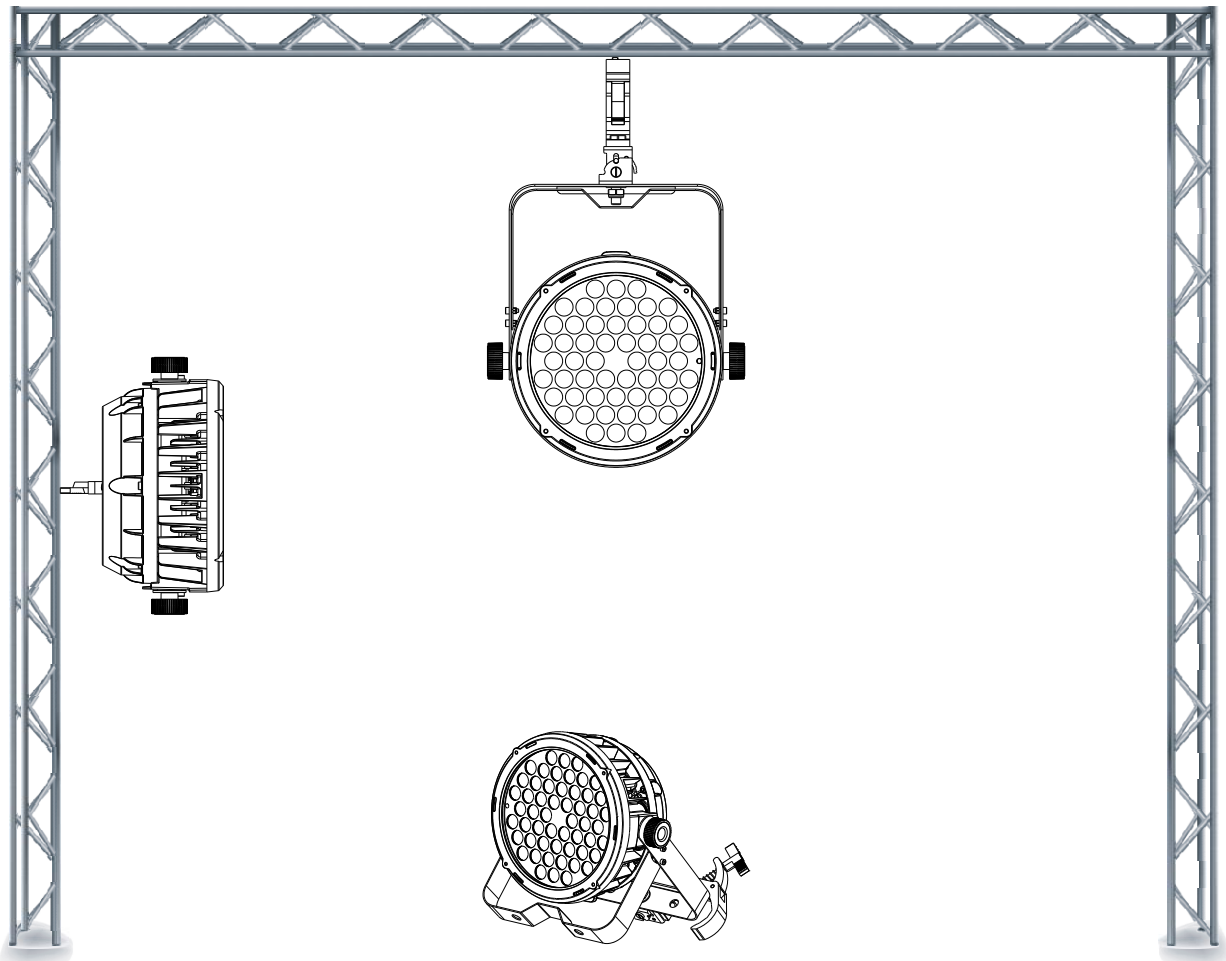
## 03/ Control Panel



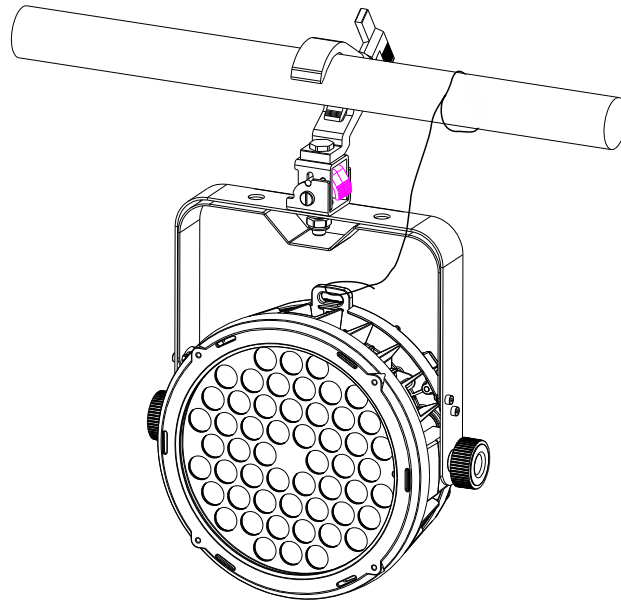
1. Display	To show the various menus and the selected function	
2. Buttons	MENU	To enter into move backward or leave the menu
	▲ UP	To go backward to move up in the menu
	▼ DOWN	To go forward to move down in the menu
	ENTER	To perform the desired functions
3. POWER	To connect to supply power	
4. DMX	For DMX512 link, use 3-pin XLR cable to link the unit and DMX controller to transmit DMX signal (5-pin XLR cable is optional)	

## 04/ Fixture Installation

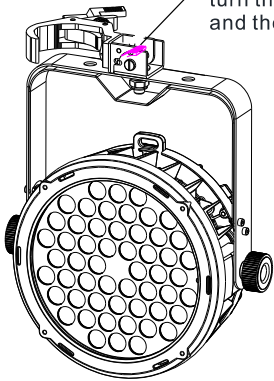
- ▶ DO install and operate by qualified operator. Fixture(s) should be installed in areas outside walking paths, seating areas, or away from areas where unauthorized personnel might reach the fixture by hand. NEVER stand directly below the fixture(s) when rigging, removing or servicing.
- ▶ Always ensure that the unit is firmly fixed to avoid vibration and slipping off during operation. Ensure that the trussing or area of installation must be able to hold 10 times the weight without any deformation. Always attach a safety cable that can hold at least 12 times the weight of the fixture whenever installing this fixture in a suspended environment to ensure that the fixture will not fall if the clamp fails.
- ▶ This fixture is fully operational in three different mounting positions: hanging on trussing, mounted sideways on trussing, or set on a flat level surface. Always use and install the supplied safety cable as a safety measure to prevent accidental damage and/or injury in the event the clamp fails.



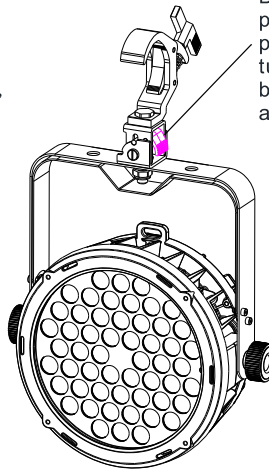




Button (When the fixture is to be hung :  
press and hold this button,  
turn the clamp clockwise by 90 degrees,  
and then release it.)



Button (When the fixture is to be  
place on a flat ground or is not to be hung :  
press and hold this button,  
turn the clamp counterclockwise  
by 90 degrees,  
and then release it.)



## 05/ How To Set The Unit

### 5.1 Main Functions

- ▶ To access the control menus, press the [MENU] button.
- ▶ Navigate the menu structure, using the [ENTER], [▲ UP] and [▼ DOWN] buttons.
- ▶ To select a menu option or to confirm a selection, press the [ENTER] button.
- ▶ To return to a higher level in the menu structure without making a change, press the [MENU] button, or wait 30 seconds.

The screen will be automatically locked if there is no operation for a long time, and can be unlocked by long-pressing the [MENU] button.

The main functions are shown below:

MENU	SUBMENU	OPTIONS		
DMX Settings	DMX Address	1-503 (10 CH)	(Default=1)	
		1-505 (8 CH)		
		1-508 (5 CH)		
		1-509 (4 CH)		
		1-507 (6 CH)		
	Channel Mode	Mode 1 (10)		
		Mode 2 (8)		
		Mode 3 (5)		
		Mode 4 (4)		
		Mode 5 (6)		
	No DMX Status	Hold		
		Blackout		
		Program		
		Manual		
	View DMX Value			
Fixture Settings	Dimmer Curve	Linear		
		Square Law		
		Inv SQ Law		
		S Curve		
	Dimmer Speed	Fast		
		Smooth		

MENU	SUBMENU	OPTIONS		
	White Balance	Red	125-255	
		Green	125-255	
		Blue	125-255	
	Pri/Sec Mode	Secondary		
		Primary		
Display Settings	Display Invert	No		
		Yes		
	Temperature Unit	°C		
		°F		
	Language	English		
		Chinese		
Auto Test				
Manual Test	Clear	No/Yes		
	Red	0-255		
	Green	0-255		
	Blue	0-255		
	White	0-255		
	Strobe	0-255		
	Dimmer	0-255		
	CTO	Null		
		8000K~2500K		
	Color Macro	Null		
		Color 1~Color 32		
		Slow Speed		
Medium Speed				
	Fast Speed			
Show Program	Set Scene Totals	0-50		
	Edit Scene Color		Red	0-255
			Green	0-255
			Blue	0-255
			White	0-255
	Fade Time	0-255		
Hold Time	0-255			

MENU	SUBMENU	OPTIONS			
Information	Fixture Use Hour				
	LED Use Hour	Total LED Hour			
		LED On Hour			
		LED Hours Reset	No		
	Temperature		Yes	Password=050	
			Current	Max temp	
		LED			
		PCBA			
	Firmware Version				
	RDM UID				
Error Logs	Fixture Errors				
	Reset Error Log	No			
Factory Restore	Yes				
	No				

### DMX Settings

Enter the control menu and select **DMX Settings**, press ENTER. Use the UP/DOWN button to select **DMX Address**, **Channel Mode**, **No DMX Status** or **View DMX Value**.

### DMX Address

Select **DMX Address**, press ENTER.

Use UP/DOWN button to select an address, confirm your selection with ENTER.

CHANNEL MODE	DMX ADDRESS
Mode 1 (10)	1-503
Mode 2 (8)	1-505
Mode 3 (5)	1-508
Mode 4 (4)	1-509
Mode 5 (6)	1-507

To exit the menu, press MENU, or wait 30 seconds.

## Channel Mode

Select **Channel Mode**, press ENTER.

Use UP/DOWN button to select between **Mode 1 (10)**, **Mode 2 (8)**, **Mode 3 (5)**, **Mode 4 (4)** and **Mode 5 (6)**, confirm your selection with ENTER.

To exit the menu, press MENU, or wait 30 seconds.

## No DMX Status

Select **No DMX Status**, press ENTER.

Use UP/DOWN button to select one of the following status:

**Hold** (The device continues to operate in the current mode with the last active DMX values until the signal returns)

**Blackout** (Fixture blacks out if DMX signal stops)

**Program** (The device accepts the DMX value stored in the 'Show Program' menu)

**Manual** (The device accepts the DMX value stored in the 'Manual Test' menu)

Confirm your selection with ENTER.

To exit the menu, press MENU, or wait 30 seconds.

## View DMX Value

Select **View DMX Value**, press ENTER.

Use UP/DOWN button to select the desired DMX channel, for which the value is to be displayed.

To exit the menu, press MENU, or wait 30 seconds.

## Fixture Settings

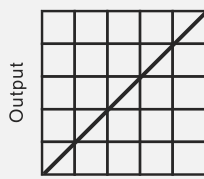
Enter the control menu and select **Fixture Settings**, press ENTER. Use the UP/DOWN button to select **Dimmer Curve**, **Dimmer Speed**, **White Balance** or **Pri/Sec Mode**.

### Dimmer Curve

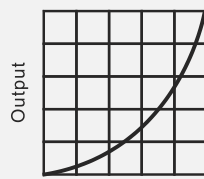
Select **Dimmer Curve**, press ENTER.

Use UP/DOWN button to select **Linear**, **Square Law**, **Inv SQ Law** or **S Curve**, confirm your selection with ENTER.

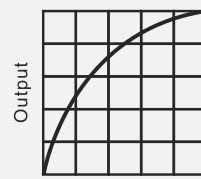
#### Dimmer Modes



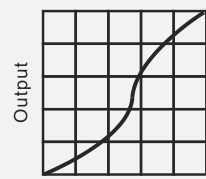
Optically Linear



Square Law



Inverse Square Law



S-curve

To exit the menu, press MENU, or wait 30 seconds.

### Dimmer Speed

Select **Dimmer Speed**, press ENTER.

Use UP/DOWN button to select **Fast** or **Smooth**, confirm your selection with ENTER.

To exit the menu, press MENU, or wait 30 seconds.

### White Balance

Select **White Balance**, press ENTER.

Use UP/DOWN button to select **Red**, **Green** or **Blue**, confirm your selection with ENTER.

Use UP/DOWN button to select a value between **125** and **255**, confirm your selection with ENTER.

To exit the menu, press MENU, or wait 30 seconds.

## Pri/Sec Mode

Select **Pri/Sec Mode**, press ENTER.

Use UP/DOWN button to select **Secondary** or **Primary**, confirm your selection with ENTER.

To exit the menu, press MENU, or wait 30 seconds.

## Display Settings

Enter the control menu and select **Display Settings**, press ENTER. Use the UP/DOWN button to select **Display Invert**, **Temperature Unit** or **Language**.

## Display Invert

Select **Display Invert**, press ENTER.

Use UP/DOWN button to select **No** (display normal) or **Yes** (display inverted), confirm your selection with ENTER.

To exit the menu, press MENU, or wait 30 seconds.

## Temperature Unit

Select **Temperature Unit**, press ENTER.

Use UP/DOWN button to select **°C** or **°F**, confirm your selection with ENTER.

To exit the menu, press MENU, or wait 30 seconds.

## Language

Select **Language**, press ENTER.

Use UP/DOWN button to select **English** or **Chinese**, confirm your selection with ENTER.

To exit the menu, press MENU, or wait 30 seconds.

## Auto Test

Select **Auto Test**, press ENTER.

The device immediately performs an automatic self-test.

To end the automatic self-test and exit the menu, press MENU, or wait 30 seconds.

## Manual Test

Select **Manual Test**, press ENTER.

Use UP/DOWN button to select the channel for which the manual test is to be performed, confirm your selection with ENTER.

Use UP/DOWN button to select a value, confirm your selection with ENTER.

To exit the menu, press MENU, or wait 30 seconds.

(The device returns to its original DMX state after the manual test. The test values are saved automatically when the device is switched off.)

## Show Program

Enter the control menu and select **Show Program**, press ENTER. Use the UP/DOWN button to select **Set Scene Totals**, **Edit Scene Color**, **Fade Time** or **Hold Time**.

## Set Scene Totals

Select **Set Scene Totals**, press ENTER.

Use UP/DOWN button to select a value between **0** and **50**, confirm your selection with ENTER.

To exit the menu, press MENU, or wait 30 seconds.



## Edit Scene Color

Select **Edit Scene Color**, press ENTER.

Use UP/DOWN button to select a value between **1** and **50**, confirm your selection with ENTER.

Use UP/DOWN button to select **Red, Green, Blue** or **White**, confirm your selection with ENTER.

Use UP/DOWN button to select a value between **0** and **255**, confirm your selection with ENTER.

To exit the menu, press MENU, or wait 30 seconds.

## Fade Time

Select **Fade Time**, press ENTER.

Use UP/DOWN button to select a value between **0** and **255**, confirm your selection with ENTER.

To exit the menu, press MENU, or wait 30 seconds.

## Hold Time

Select **Hold Time**, press ENTER.

Use UP/DOWN button to select a value between **0** and **255**, confirm your selection with ENTER.

To exit the menu, press MENU, or wait 30 seconds.

## Information

Enter the control menu and select **Information**, press ENTER. Use the UP/DOWN button to select **Fixture Use Hour, LED Use Hour, Temperature, Firmware Version, RDM UID** or **Error Logs**.

## Fixture Use Hour

Select **Fixture Use Hour**, press ENTER.

The operating hours is displayed.

To exit the menu, press MENU, or wait 30 seconds.

## LED Use Hour

Select **LED Use Hour**, press ENTER.

Use UP/DOWN button to select **Total LED Hour** (total time) or **LED On Hour** (current switch-on time), confirm your selection with ENTER.

The total time or current switch-on time is displayed.

Use UP/DOWN button to select **LED Hours Reset**, confirm your selection with ENTER.

If you wish to reset the LED operating hours, select **Yes**. If you do not wish to reset anything, select **No**. Confirm your selection with ENTER.

If you select **Yes**, use UP/DOWN button to set the password 050, confirm your selection with ENTER. The LED operating hours is reset.

To exit the menu, press MENU, or wait 30 seconds.

## Temperature

Select **Temperature**, press ENTER.

The device temperature is displayed.

To exit the menu, press MENU, or wait 30 seconds.

## Firmware Version

Select **Firmware Version**, press ENTER.

The firmware version is displayed.

To exit the menu, press MENU, or wait 30 seconds.

## RDM UID

Select **RDM UID**, press ENTER.

The RDM UID is displayed.

To exit the menu, press MENU, or wait 30 seconds.

## Error Logs

Select **Error Logs**, press ENTER.

Use UP/DOWN button to select **Fixture Errors**, confirm your selection with ENTER.

The error list is displayed.

Use UP/DOWN button to select **Reset Error Log**, confirm your selection with ENTER.

If you wish to reset the relevant error logs, select **Yes**. If you do not wish to reset anything, select **No**. Confirm your selection with ENTER.

If you select **Yes**, use UP/DOWN button to set the password 050, confirm your selection with ENTER. The relevant error logs are reset.

To exit the menu, press MENU, or wait 30 seconds.

## Factory Restore

Select **Factory Restore**, press ENTER.

If you wish to reset the device to the factory settings, select **Yes**. If you do not wish to reset anything, select **No**. Confirm your selection with ENTER.

To exit the menu, press MENU, or wait 30 seconds.

**RDM functions: Certain menus of the device and functions can be called up via the RDM protocol.**

The parameter IDs are implemented as follows for different commands:

Parameter ID	Command 'Discovery'	Command 'Set'	Command 'Get'
DISC_UNIQUE_BRANCH	√		
DISC_MUTE	√		
DISC_UN_MUTE	√		
DEVICE_INFO			√
SUPPORTED_PARAMETERS			√
SOFTWARE_VERSION_LABEL			√
DMX_START_ADDRESS		√	√
IDENTIFY_DEVICE		√	√
DEVICE_MODEL_DESCRIPTION			√
PARAMETER_DESCRIPTION			√
MANUFACTURER_LABEL			√
DEVICE_LABEL		√	√
FACTORY_DEFAULTS		√	√
BOOT_SOFTWARE_VERSION_ID			√
BOOT_SOFTWARE_VERSION_LABEL			√
DMX_PERSONALITY		√	√
DMX_PERSONALITY_DESCRIPTION			√
SLOT_INFO			√
SLOT_DESCRIPTION			√
SENSOR_DEFINITION			√
SENSOR_VALUE			√
DEVICE_HOURS			√
RESET_DEVICE		√	

√ -Command implemented for the respective parameter ID

## 5.2 Home Position Adjustment

- ▶ To access the control menus, press the [MENU] button.
- ▶ To access the offset menus, long-press the [ENTER] button.
- ▶ Navigate the offset menus, using the [ENTER], [▲ UP] and [▼ DOWN] buttons.
- ▶ To select a menu option or to confirm a selection, press the [ENTER] button.
- ▶ To return to a higher level in the menu structure without making a change, press the [MENU] button, or wait 30 seconds.

OFFSET MENU	VALUES
Frequency(Hz)	1072~1327
Red	0~255
Green	0~255
Blue	0~255
White	0~255

### Frequency(Hz)

Select **Frequency(Hz)**, press ENTER.

Use UP/DOWN button to select a value between 1072 and 1327, confirm your selection with ENTER.

To exit the offset menu, press MENU, or wait 30 seconds.

### Red

Select **Red**, press ENTER.

Use UP/DOWN button to select a value between 0 and 255, confirm your selection with ENTER.

To exit the offset menu, press MENU, or wait 30 seconds.

### Green

Select **Green**, press ENTER.

Use UP/DOWN button to select a value between 0 and 255, confirm your selection with ENTER.

To exit the offset menu, press MENU, or wait 30 seconds.

## Blue

Select **Blue**, press ENTER.

Use UP/DOWN button to select a value between 0 and 255, confirm your selection with ENTER.

To exit the offset menu, press MENU, or wait 30 seconds.

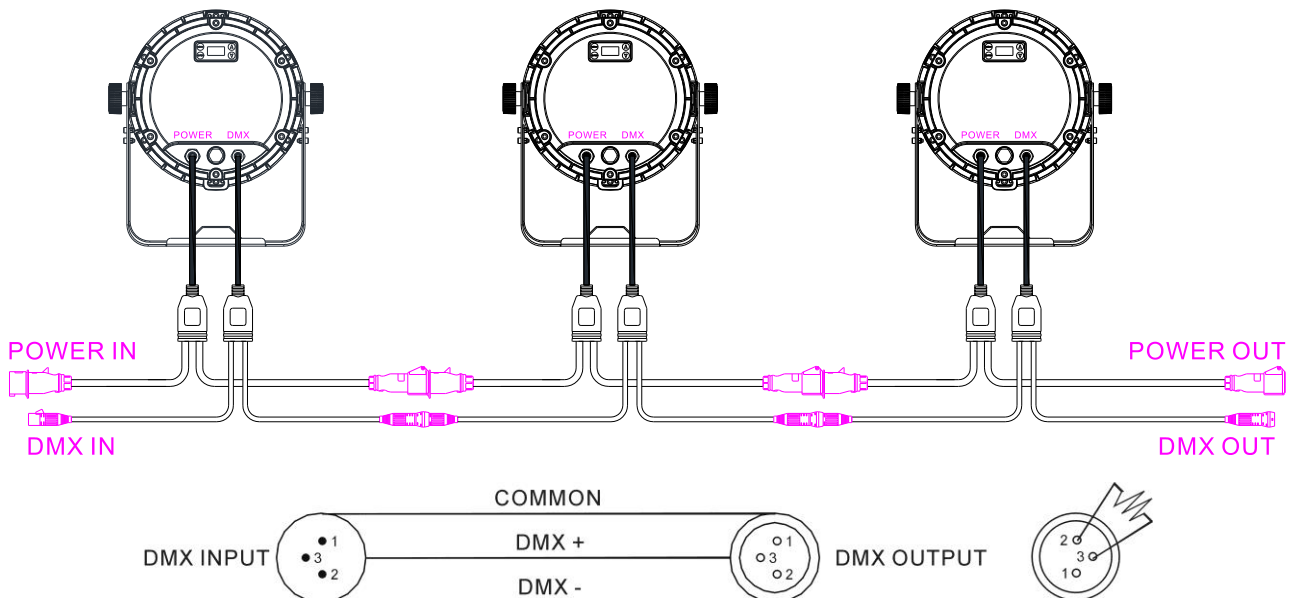
## White

Select **White**, press ENTER.

Use UP/DOWN button to select a value between 0 and 255, confirm your selection with ENTER.

To exit the offset menu, press MENU, or wait 30 seconds.

### 6.1 DMX512 Connection



1. At last unit, the DMX cable has to be terminated with a terminator. Solder a 120-ohm 1/4W resistor between pin 2(DMX-) and pin 3(DMX+) into a 3-pin XLR-plug and plug it in the DMX-output of the last unit.
2. Connect the unit together in a “daisy chain” by XLR plug cable from the output of the unit to the input of the next unit. The cable can only be used in series and cannot be connected in parallel. DMX 512 is a very high-speed signal. Inadequate or damaged cables, soldered joints or corroded connectors can easily distort the signal and shut down the system.
3. The DMX output and input connectors are pass-through to maintain the DMX circuit, when one of the units' power is disconnected.
4. Each lighting unit needs to have a DMX address to receive the data by the controller. The address number is between 1-512.
5. The end of the DMX 512 system should be terminated to reduce signal errors.
6. 3 pin XLR connectors are more popular than 5 pins XLR.
  - 3 pin XLR: Pin 1: GND, Pin 2: Negative signal (-), Pin 3: Positive signal (+)
  - 5 pin XLR: Pin 1: GND, Pin 2: Negative signal (-), Pin 3: Positive signal (+), Pin4, Pin5 not used.

## 6.2 Address Setting

If you use a universal DMX controller to control the units, you have to set DMX address between 1 and 512 so that the units can receive DMX signal.

Press the MENU button to access the control menus, select DMX Settings, press the ENTER button to confirm. Use the UP/DOWN button to select DMX Address, press the ENTER button to confirm, the present address will show on the display. Use the UP/DOWN button to adjust the address between 001 and 512, press the ENTER button to store. To exit the menu, press MENU, or wait 30 seconds.

Please refer to the following diagram to address your DMX512 channel for the first 4 units.

Channel Mode	Unit 1 Address	Unit 2 Address	Unit 3 Address	Unit 4 Address
10 channels	1	11	21	31
8 channels	1	9	17	25
5 channels	1	6	11	16
4 channels	1	5	9	13
6 channels	1	7	13	19

## 6.3 DMX512 Configuration

Please control the fixture by referring to the configurations below

### Attentions:

- ▶ The unit will maintain the last condition until reset if you cut-off the DMX signal.
- ▶ For the channel Function, keep the value for about 3 seconds, then the corresponding function will take into effect.



10 Channels (Mode 1):

CHANNEL	VALUE	FUNCTION
1	000-255	<b>RED</b> 0%→100%
2	000-255	<b>GREEN</b> 0%→100%
3	000-255	<b>BLUE</b> 0%→100%
4	000-255	<b>WHITE</b> 0%→100%
5	000-007 008-015 016-131 132-139 140-181 182-189 190-231 232-239 240-247 248-255	<b>STROBE</b> Close Open Strobe from Slow to Fast Open Slow Open Fast Close from Slow to Fast Open Fast Open Slow Close from Slow to Fast Open Random Strobe from Fast to Slow Open
6	000-255	<b>DIMMER</b> 0%→100%
7	000-255	<b>DIMMER FINE</b>
8	000 001-004 005-009 010-013 014-018 019-022 023-027 028-031 032-036 037-040 041-045 046-049 050-054 055-058 059-063 064-067 068-072 073-076 077-081 082-085	<b>CTO (8000K-2500K)</b> Close 8000K 7900K 7800K 7700K 7600K 7500K 7400K 7300K 7200K 7100K 7000K 6900K 6800K 6700K 6600K 6500K 6400K 6300K 6200K

	086-090	6100K
	091-094	6000K
	095-099	5900K
	100-103	5800K
	104-108	5700K
	109-112	5600K
	113-117	5500K
	118-121	5400K
	122-126	5300K
	127-130	5200K
	131-135	5100K
	136-139	5000K
	140-144	4900K
	145-148	4800K
	149-153	4700K
	154-157	4600K
	158-162	4500K
	163-166	4400K
	167-171	4300K
	172-175	4200K
	176-180	4100K
	181-184	4000K
	185-189	3900K
	190-193	3800K
	194-198	3700K
	199-202	3600K
	203-207	3500K
	208-211	3400K
	212-216	3300K
	217-220	3200K
	221-225	3100K
	226-229	3000K
	230-234	2900K
	235-238	2800K
	239-243	2700K
	244-247	2600K
	248-255	2500K
		<b>COLOR MACRO</b>
	000-005	Open
	006-008	LEE 790-Moroccan Pink
	009-011	LEE 157-Pink
	012-014	LEE 332-Special Rose Pink
	015-017	LEE 328-Follies Pink
	018-020	LEE 345-Fuchsia Pink
	021-023	LEE 194-Surprise Pink
	024-026	LEE 181-Congo Blue
	027-029	LEE 071-Tokyo Blue
9		

	030-032 033-035 036-038 039-041 042-044 045-047 048-050 051-053 054-056 057-059 060-062 063-065 066-068 069-071 072-074 075-077 078-080 081-083 084-086 087-089 090-092 093-095 096-098 99 100-155 156-200 201-255	LEE 120-Deep Blue LEE 079-Just Blue LEE 132-Medium Blue LEE 200-Double CT Blue LEE 161-State Blue LEE 201-Full CT Blue LEE 202-Half CT Blue LEE 117-Steel Blue LEE 353-Lighter Blue LEE 118-Light Blue LEE 116-Medium Blue Green LEE 124-Dark Green LEE 139-Primary Green LEE 089-Moss Green LEE 122-Fern Green LEE 738-JAS Green LEE 088-Lime Green LEE 100-Spring Yellow LEE 104-Deep Amber LEE 179-Chrome Orange LEE 105-Orange LEE 021-Gold Amber LEE 778-Millennium Gold LEE 135-Deep Gold Amber Slow Medium Fast
10	000-029 030-039 040-049 050-059 060-069 070-099 100-109 110-119 120-199 200-209 210-219 220-229 230-255	<b>FUNCTION</b> No Function Dimmer Curve: Linear Dimmer Curve: Square Law Dimmer Curve: Inv SQ Law Dimmer Curve: S Curve No Function Led Frequency Setting Enable Led Frequency Setting Disable No Function No Function Dimmer Speed: Fast Dimmer Speed: Smooth No Function

8 Channels (Mode 2):

CHANNEL	VALUE	FUNCTION
1	000-255	<b>RED</b> 0%→100%
2	000-255	<b>GREEN</b> 0%→100%
3	000-255	<b>BLUE</b> 0%→100%
4	000-255	<b>WHITE</b> 0%→100%
5	000-007 008-015 016-131 132-139 140-181 182-189 190-231 232-239 240-247 248-255	<b>STROBE</b> Close Open Strobe from Slow to Fast Open Slow Open Fast Close from Slow to Fast Open Fast Open Slow Close from Slow to Fast Open Random Strobe from Fast to Slow Open
6	000-255	<b>DIMMER</b> 0%→100%
7	000-255	<b>DIMMER FINE</b>
8	000-029 030-039 040-049 050-059 060-069 070-099 100-109 110-119 120-199 200-209 210-219 220-229 230-255	<b>FUNCTION</b> No Function Dimmer Curve: Linear Dimmer Curve: Square Law Dimmer Curve: Inv SQ Law Dimmer Curve: S Curve No Function Led Frequency Setting Enable Led Frequency Setting Disable No Function No Function Dimmer Speed: Fast Dimmer Speed: Smooth No Function

5 Channels (Mode 3):

CHANNEL	VALUE	FUNCTION
1	000-255	<b>RED</b> 0%→100%
2	000-255	<b>GREEN</b> 0%→100%
3	000-255	<b>BLUE</b> 0%→100%
4	000-255	<b>WHITE</b> 0%→100%
5	000-007 008-015 016-131 132-139 140-181 182-189 190-231 232-239 240-247 248-255	<b>STROBE</b> Close Open Strobe from Slow to Fast Open Slow Open Fast Close from Slow to Fast Open Fast Open Slow Close from Slow to Fast Open Random Strobe from Fast to Slow Open

4 Channels (Mode 4):

CHANNEL	VALUE	FUNCTION
1	000-255	<b>RED</b> 0%→100%
2	000-255	<b>GREEN</b> 0%→100%
3	000-255	<b>BLUE</b> 0%→100%
4	000-255	<b>WHITE</b> 0%→100%

6 Channels (Mode 5):

CHANNEL	VALUE	FUNCTION
1	000-255	<b>DIMMER</b> 0%→100%
2	000-255	<b>RED</b> 0%→100%
3	000-255	<b>GREEN</b> 0%→100%
4	000-255	<b>BLUE</b> 0%→100%
5	000-255	<b>WHITE</b> 0%→100%
6	000-007 008-015 016-131 132-139 140-181 182-189 190-231 232-239 240-247 248-255	<b>STROBE</b> Close Open Strobe from Slow to Fast Open Slow Open Fast Close from Slow to Fast Open Fast Open Slow Close from Slow to Fast Open Random Strobe from Fast to Slow Open

## 07/ Error Information

---

Error codes are shown continuously in the display when the fixture fails and they will not disappear until the fixture is repaired.

### LED Temp. Error

Check whether the temperature detecting board is normal.

Check whether the components of the temperature detecting board are damaged.

Check whether the lead on the temperature detecting board is installed in place or disconnected.

### LED Too Hot Off

When the fixture temperature reaches 85°C, it will automatically turn off to protect the fixture.

### LED Timeout Use

## 08/ Troubleshooting

---

Following are a few common problems that may occur during operation. Here are some suggestions for troubleshooting:

### A. The unit does not work and no light

- ▶ Check the connected power.
- ▶ Measure the voltage.
- ▶ Check the power indicator to see whether it can be lit up or not.

### B. Not responding to the DMX controller

- ▶ Check whether the DMX connectors and the DMX cables are connected correctly.
- ▶ Check whether the DMX address is correctly set.
- ▶ If the intermittent DMX signal problem occurs, check whether the XLR socket and the signal cable are well connected.
- ▶ Try it with another DMX controller.
- ▶ Check whether the DMX cables run near or alongside to the high-voltage cables, which may damage or interfere with the signal circuit.

## 09/ Fixture Cleaning

---

It is absolutely essential that the fixture is kept clean to ensure the maximum light-output and allow the fixture to function reliably throughout its life. The fixture must be cleaned regularly to avoid dust, dirt and smoke-fluid residues building up on or within the fixture. The cleaning frequency depends on the application environment. Clean the fixture immediately if the dust enters it to avoid damage to the optical lens due to excessive dust.

- ▶ A soft lint-free cloth moistened with any good glass cleaning fluid is recommended, under no circumstances should solvents be used.
- ▶ Always dry the parts carefully.
- ▶ Clean the external optical lens at least every 20 days.







### **Declaration of Conformity**

We declare that our products (lighting equipments) comply with the following specification and bears CE mark in accordance with the provision of the Electromagnetic Compatibility (EMC) Directive 2014/30/EU.

EN IEC 55015: 2019+A11: 2020; EN 61547: 2009;  
EN IEC 61000-3-2: 2019; EN 61000-3-3: 2013+A1: 2019.

**&**

### **Harmonized Standard**

EN 60598-2-17: 2018;  
EN 60598-1: 2015+A1: 2018.

Safety of household and similar electrical appliances  
Part 1: General requirements and tests



---

[www.acme.com.cn](http://www.acme.com.cn)