

SANDANE

PAR 54 IP

FEATURES

- Compact size, light weight, high efficiency, low energy consumption
- Variable CTO: 2,500K-8,000k
- Protection Rating: IP66
- 0-100% smooth dimming
- Double hanger design and multiple installation methods are available
- Outstanding strobe effect with variable speed
- 1 x foldable clamp for 50 millimeter truss
- Optional Half or Full size Anti-glare shield

TECHNICAL SPECIFICATIONS

Specifications

- Light Source: 54 x 6W RGBW LED
- Lens Option: 19°, 23°, 30°, 40°, 58°
- Field Angle: 37°, 45°, 59°, 74°, 100°
- Total lumen output up to 10,000lm (45°)

Control

- DMX Channel: 10/8/6/5/4
- Protocols: DMX512, RDM, Primary/Secondary
- Firmware Upgrade via DMX link

Construction

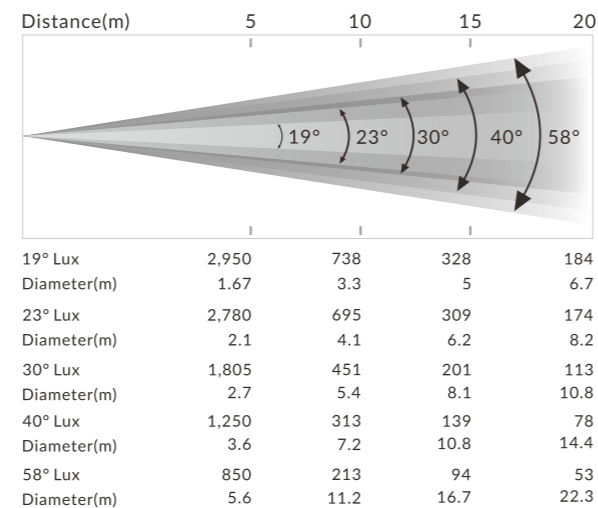
- Display: OLED display
- Data In/Out: 3-pin or 5-pin IP XLR
- Power In/Out: Waterproof Power Connector in/out
- Hanger: Double hanger (with fixed clamps)
- Protection Rating: IP66

Electrical and Physical

- Power Voltage Range: 100-240V~ 50Hz
- Power Consumption: 230 W
- Dimensions: 272 x 300 x 128mm(10.7" x 11.8" x 5")
- F/C Dimensions: 1,135 x 615 x 550mm (44.7" x 24.2" x 21.7")
- Weight: 5.5 kg (12 lbs)
- 111.5 kg(245.8 lbs)(Ten-pack Loader Case)



PHOTOMETRICS DIAGRAM



OPTIONAL SHIELD

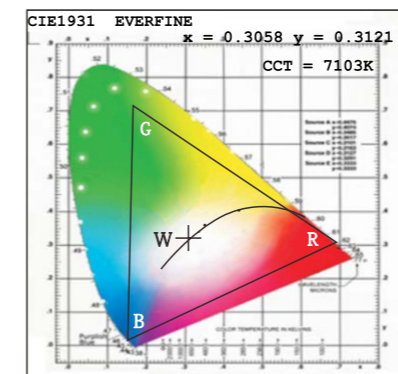


CONNECTION

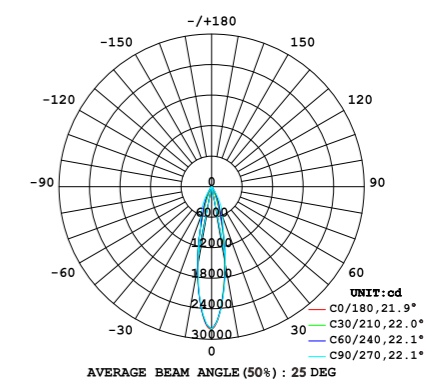


LIGHT QUALITY PARAMETER

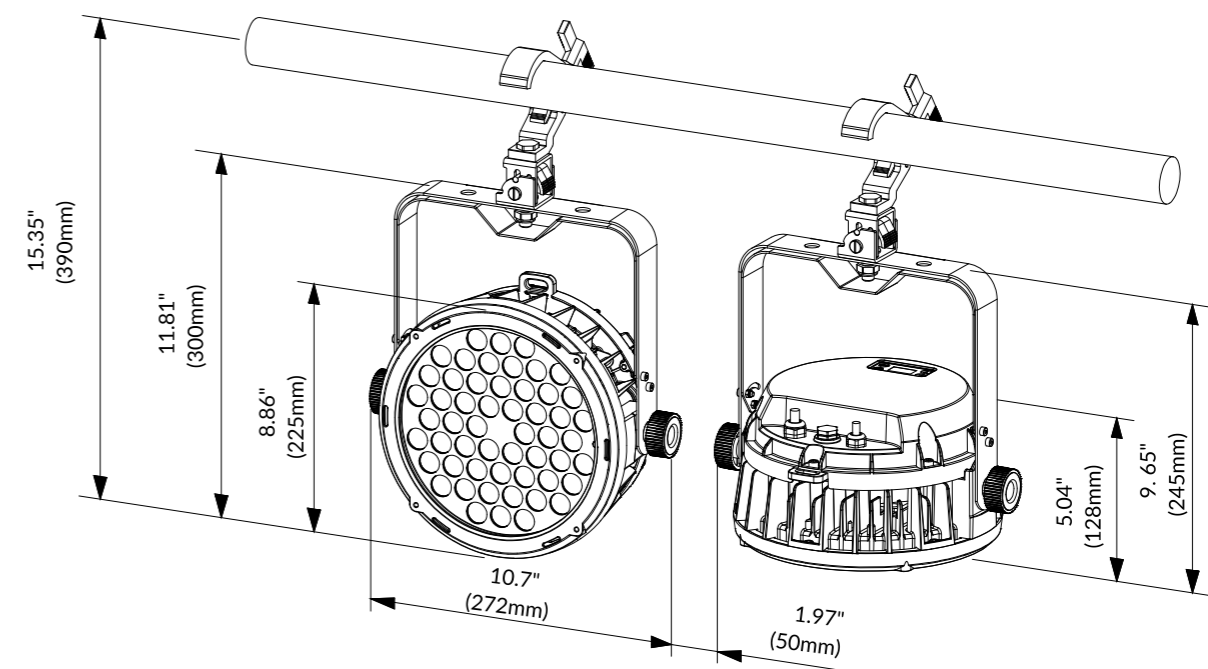
CIE1931 CHROMATICITY COORDINATES(Big Angle)



LUMINOUS INTENSITY DISTRIBUTION DIAGRAM



DIMENSIONS



EXTERIOR / OUTDOOR

EXTERIOR / OUTDOOR