

STAGE PAR 600 ZOOM IP

MP-600Z IP

FEATURES

- Built-in programs for selection
- Can set the DMX address, reset fixture, change to voice mode, and other functions by using console
- Uniform RGBW color mixing and rainbow effect
- Advanced RDM function
- Outstanding strobe effect with variable speed
- Smooth dimming from 0-100%
- IP66 protection rating, can be used outdoors all year round

TECHNICAL SPECIFICATIONS

Specifications

- Light Source: 22x40W RGBW LED
- Zoom Range:
 - Beam Angle: 7°-35°
 - Field Angle: 11°-57°
- Total lumen output: 4,678lm

Control

- DMX Channel: 5/7/9
- Protocols: DMX512,RDM
- Firmware Upgrade via DMX link

Construction

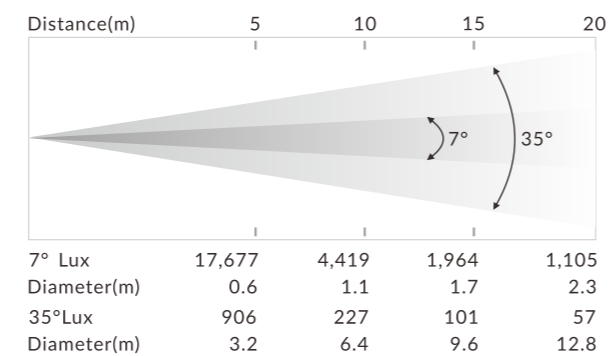
- Display: OLED display
- Data In/Out: 3-pin or 5-pin IP XLR
- Power In/Out: Waterproof Power Connector in/out
- Protection Rating: IP66

Electrical and Physical

- Input Voltage Range: 100-240V, 50/60Hz
- Power Consumption: 640W
- Dimensions: 425 x 370 x 370mm (16.7" x 14.5" x 14.5")
- Carton Dimensions: 570 x 520 x 335 mm (22.4" x 20.5" x 13.2")
- Weight: 15.4 kg (33.9 lbs)
- 19 kg (41.9 lbs)(One-pack per carton)

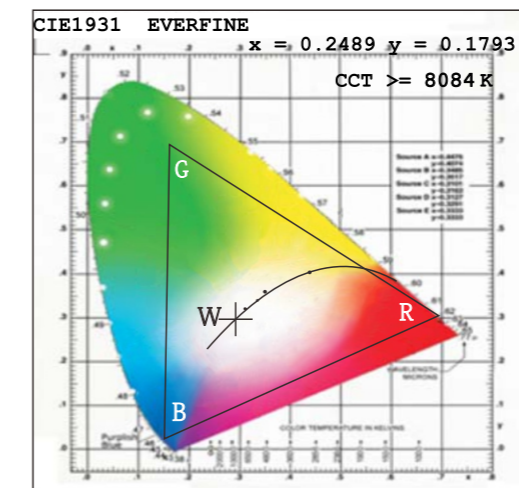


PHOTOMETRICS DIAGRAM

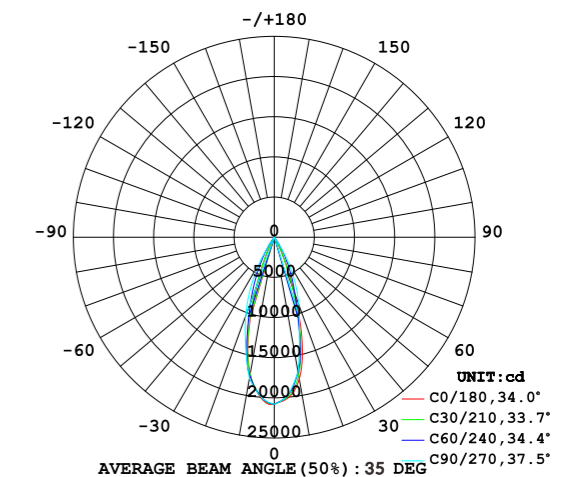


LIGHT QUALITY PARAMETER

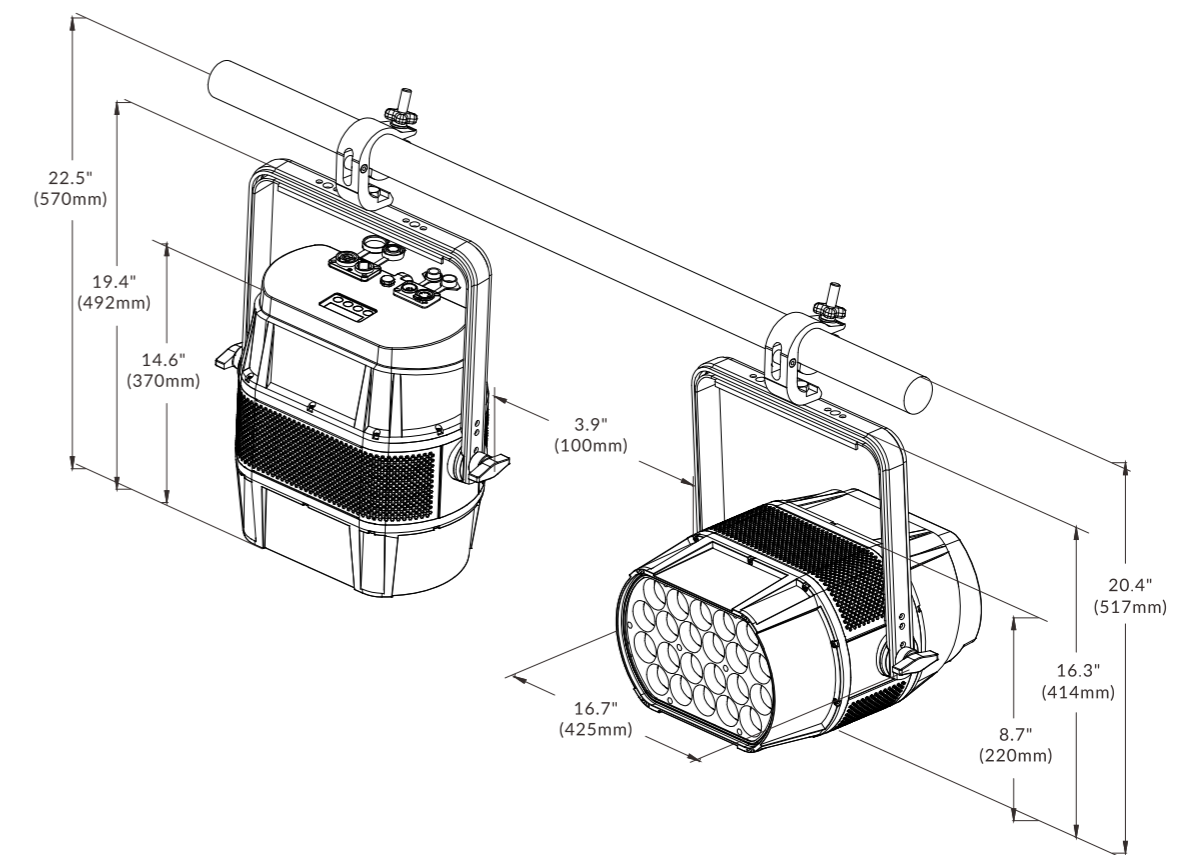
CIE1931 CHROMATICITY COORDINATES(Big Angle)



LUMINOUS INTENSITY DISTRIBUTION DIAGRAM



DIMENSIONS



EXTERIOR / OUTDOOR

EXTERIOR / OUTDOOR