

OXOZONE

CM-800Z IP

FEATURES

- Variable CTO: 2,500K - 8,000K
- Pixel control, outstanding color macro effect
- Electronic linear zoom system
- 0-100% smooth dimming
- Outstanding strobe effect with variable speed
- Powerful beam and wash effects
- IP66 protection rating
- 2 x foldable clamps for 50mm truss

TECHNICAL SPECIFICATIONS

Specifications

- Light Source: 19 x 40 W RGBW LED
- Zoom Range: 6°-40°

Control

- DMX Channel: 17/21/86 Channels
- Protocols: DMX512, RDM
- Firmware Upgrade via DMX link or USB disk

Pan/Tilt

- Pan/Tilt movement: 540°/ 235°
- Pan/Tilt Resolution: 16-bit

Construction

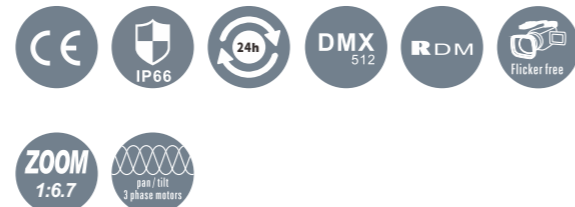
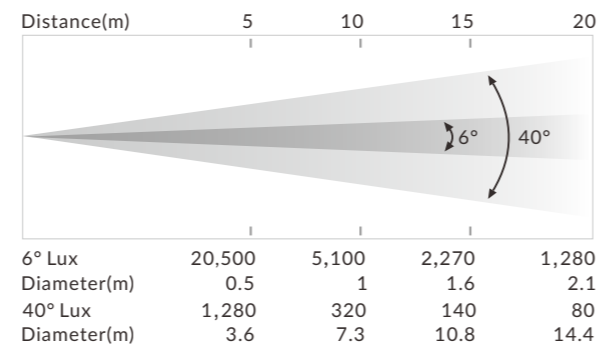
- Display: LCD display
- Data In/Out: 3-pin or 5-pin IP XLR
- Power In/Out: Waterproof Power Connector in/out
- Protection Rating: IP66

Electrical and Physical

- Input Voltage Range: 100-240V~ 50/60Hz
- Power Consumption: 990 W
- Dimensions: 566 x 384 x 286 mm (22.4" x 15.1" x 11.3")
- F/C Dimensions: 800 x 520 x 805 mm(31.5"x 20.5" x 31.7")
- Weight: 26 kg (57.3 lbs)
- 93.2 kg (205.5 lbs) (Dual Loader Case)

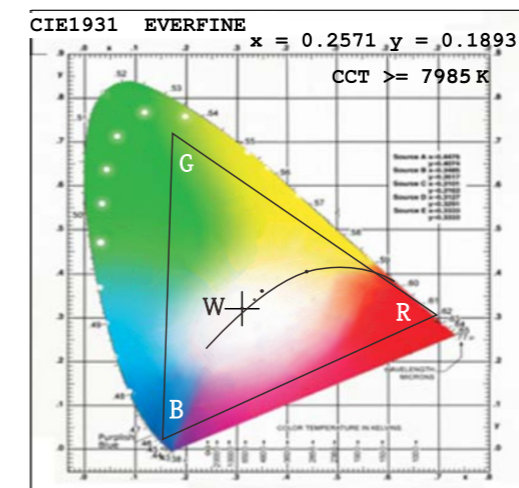


PHOTOMETRICS DIAGRAM

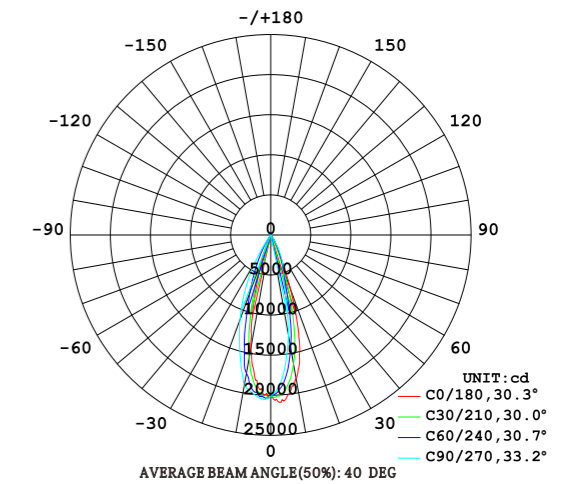


LIGHT QUALITY PARAMETER

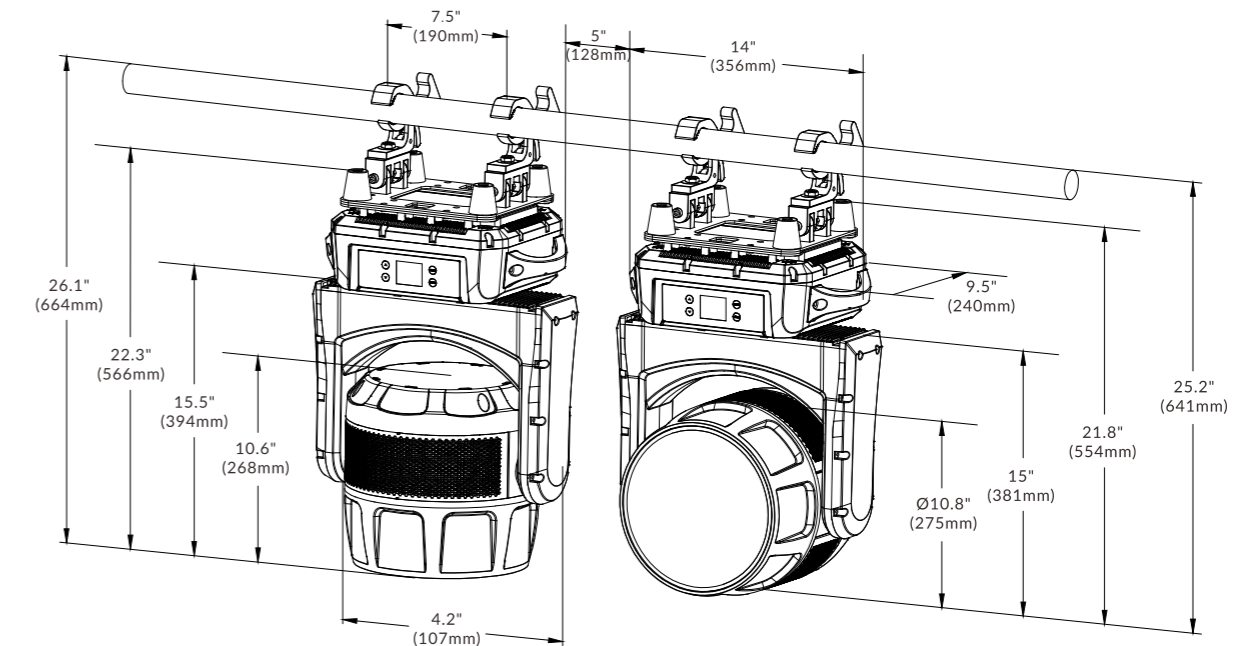
CIE1931 CHROMATICITY COORDINATES(Big Angle)



LUMINOUS INTENSITY DISTRIBUTION DIAGRAM



DIMENSIONS



EXTERIOR / OUTDOOR

EXTERIOR / OUTDOOR