

# EYES VW/C/EYES CVW/CC

BEAM 50 VW/RGBW / BEAM 50C VW/RGBW

## FEATURES

- LED can be pixel controlled (VW)
- Adjustable color temperature (VW)
- Color Rendering: Ra≥95(VW)
- Uniform RGBW color mixing and rainbow effect (RGBW)
- The Led ring can be controlled individually and provide pixel control, strobe, dimming and other effects.
- Smooth dimming from 0-100%
- Outstanding strobe effect with variable speed
- Easily combine with each other by horizontal or vertical installation and can be embedded into the ceiling
- Compact body, light weight, energy-saving, excellent thermal design, long lifespan
- Suitable for bar, KTV, hotel, banquet hall and other entertainment places



EYES



EYES C

## TECHNICAL SPECIFICATIONS

### Specifications

- Light Source:
  - 1x 40W White LED (VW)
  - 1x 40W RGBW LED (RGBW)
  - 20 x 0.5W Ring LED

- Color temperature: 3,000-6,000K(VW)
- Beam Angle Option: 5°/25°  
(Note: the beam angle can be customized according to the application)

### Control

- DMX channel: 12/27 (VW)  
14/29 (RGBW)
- Protocols: DMX512, RDM
- Firmware Upgrade via DMX link

### Pan/Tilt

- Pan/Tilt movement: 77° / 77°
- Pan/Tilt Resolution: 16 bit

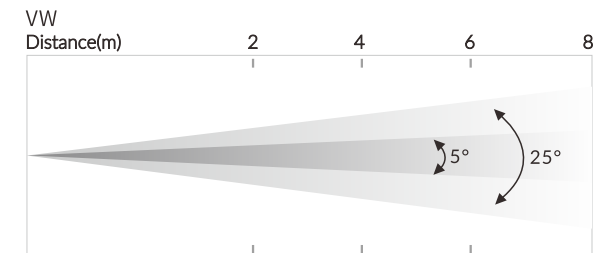
### Construction

- Display: OLED display
- Data In/Out: 3-pin or 5-pin XLR
- Power In/Out: Power Connector in/out
- Protection Rating: IP20

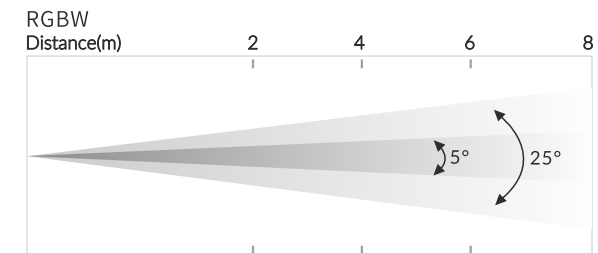
### Electrical and Physical

- Input Voltage Range: 100-240V~ 50/60Hz
- Power Consumption: 50 W(VW)  
60 W(RGBW)
- Dimension: 166 x 166 x 254mm (6.5" x 6.5" x 10") ( EYES )  
195 x 195 x 236mm (7.7" x 7.7" x 9.3") ( EYES C )
- Carton Dimension: 325 x 235 x 270mm(12.8" x 9.3" x 10.6")(EYES)  
345 x 275 x 305mm(13.6" x 10.8" x 12.0")(EYES C)
- Weight: 4 kg (8.8lbs) (EYES)  
3.4 kg (7.5lbs) (EYES C)  
4.7kg (10.4lbs) (one-pack per carton) (EYES)  
4.3kg (9.5lbs) (one-pack per carton) (EYES C)

## PHOTOMETRICS DIAGRAM



5° Lux	29,600	8,460	3,670	2,221
Diameter(m)	0.2	0.3	0.5	0.6
25° Lux	1,250	322	145	86
Diameter(m)	0.8	1.7	2.5	3.3



5° Lux	10,890	2,537	1,175	731
Diameter(m)	0.2	0.4	0.6	0.8
25° Lux	758	218	95	60
Diameter(m)	0.9	1.7	2.6	3.4



CEILING VERSION

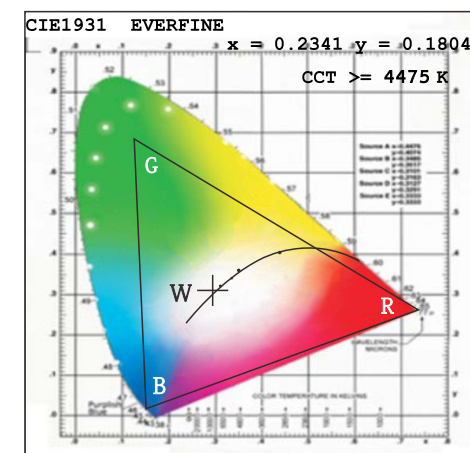
JOINT SCHEMATICS

STANDARD VERSION

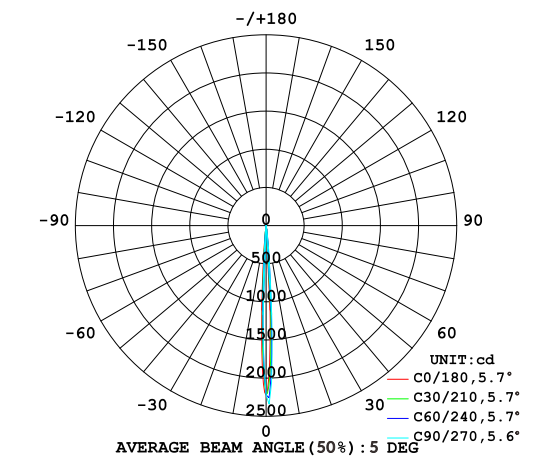


## LIGHT QUALITY PARAMETER

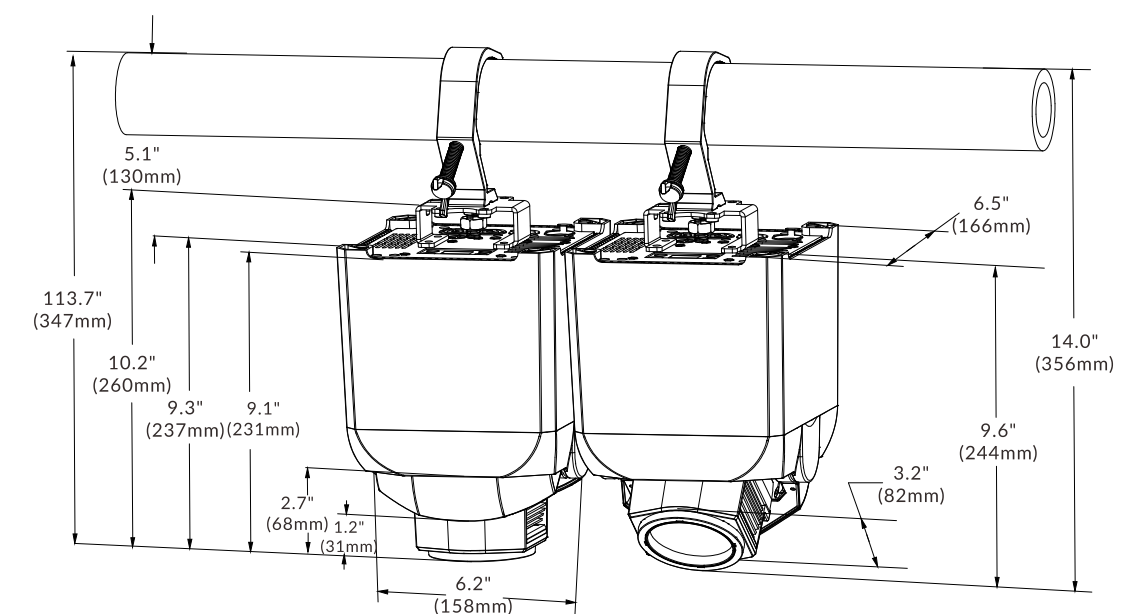
CIE1931 CHROMATICITY COORDINATES(Big Angle)



LUMINOUS INTENSITY DISTRIBUTION DIAGRAM



## DIMENSIONS



PROJECT INSTALLATION

PROJECT INSTALLATION