

DIABOLO 500

WASH 500

FEATURES

- Integrated powerful beam and wash effect
- High brightness and excellent color mixing effect
- 12x 40W LED pixel controllable plus 31x flux LEDs, various lighting effects can be made
- 0-100% smooth dimming
- Outstanding strobe effect with variable speed

TECHNICAL SPECIFICATIONS

Specifications

- Light Source: 12 x 40 W RGBW LED
31 x Flux LED
- Color Temperature: 7,000 K
- Beam Angle: 4°-25°
- Field Angle: 5°-50°

Control

- DMX Channel: 17/20/24/90 channels
- Protocols: DMX512, RDM
- Firmware Upgrade via DMX link

Pan/Tilt

- Pan/Tilt movement: 540°/ 220°
- Pan/Tilt Resolution: 16-bit

Construction

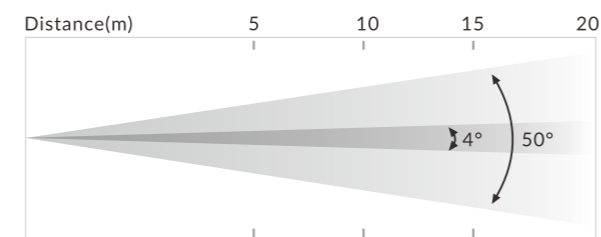
- Display: LCD display
- Date In/Out: 5-pin XLR
- Power In/Out: Power Connector In/Out
- Protection Rating: IP20

Electrical and Physical

- Input Voltage Range: 100-240V~ 50/60Hz
- Power Consumption: 475 W
- Dimensions: 350 x 223 x 497mm (13.8" x 8.8" x 19.6")
- Carton Dimension: 490 x 340 x 615mm(19.3" x 13.4" x 24.2")
- Weight: 19 kg(41.9 lbs)
21.5 kg(47.4 lbs)(one-pack per carton)



PHOTOMETRICS DIAGRAM

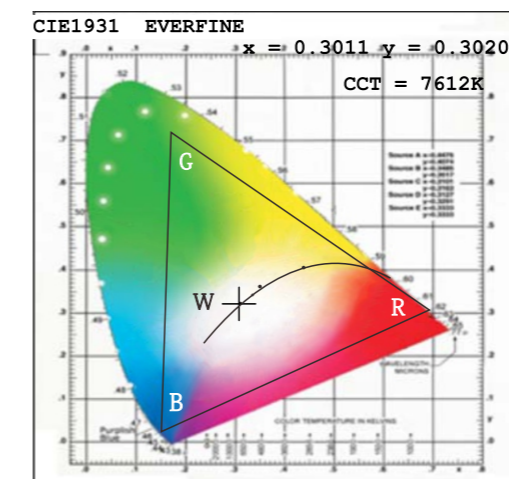


4° Lux	30,000	7,500	3,333	1,875
Diameter(m)	0.4	0.8	1.3	1.7
50° Lux	1,030	258	114	64
Diameter(m)	4.7	9.3	14	18.6

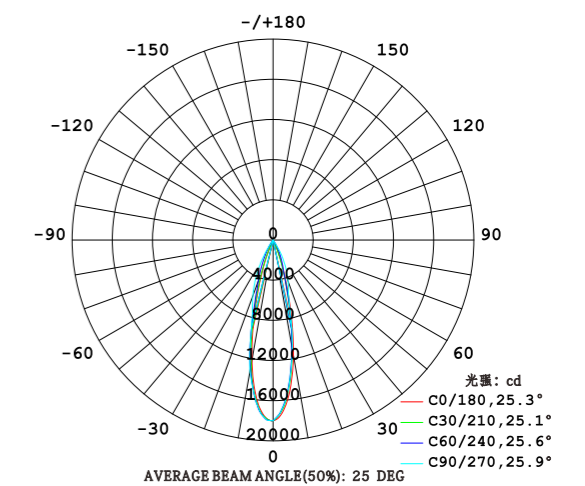


LIGHT QUALITY PARAMETER

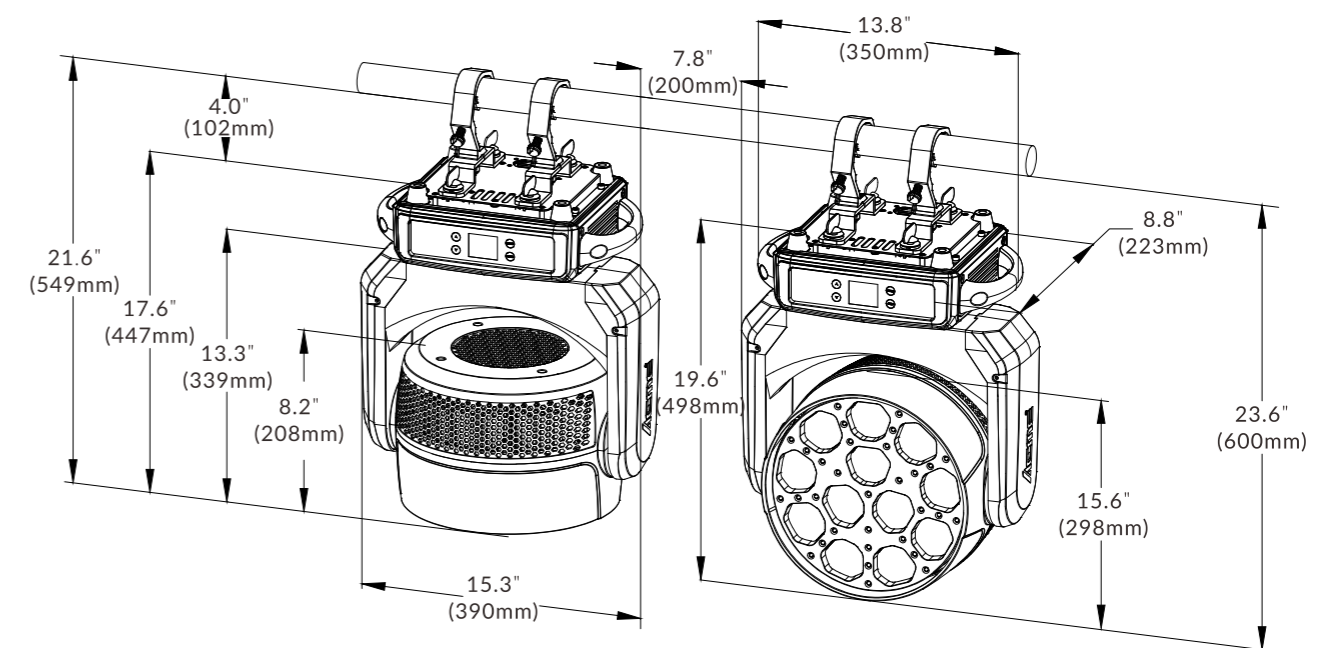
CIE1931 CHROMATICITY COORDINATES(Big Angle)



LUMINOUS INTENSITY DISTRIBUTION DIAGRAM



DIMENSIONS



PROJECT INSTALLATION

PROJECT INSTALLATION