

THUNDERBOLT

LP-14410

FEATURES

- 12 x led zones can be controlled individually
- High brightness, outstanding wash effect
- Powerful strobe effect
- Smooth dimming from 0-100%
- IP65 protection rating
- Optional barn-door can prevent glare



TECHNICAL SPECIFICATIONS

Specifications

- Light Source: 144 x 15 W RGBW LED
- Beam Angle: 22°
- Field Angle: 53.5°

Control

- DMX Channel: 4/8(16bit)/8/9/52
1/2/3/4/6/12 Pixels
- Protocols: DMX512, RDM, Art-Net, sACN
- Firmware Upgrade via DMX link

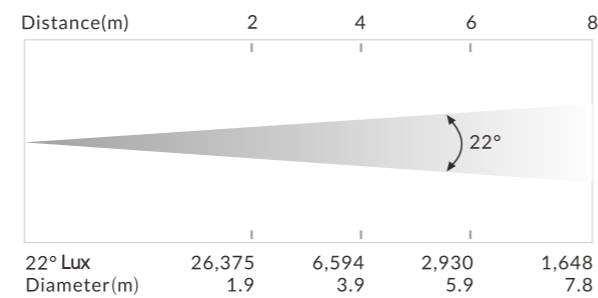
Construction

- Display: OLED display
- Date In/Out: 3-pin or 5-pin IP XLR, RJ45
- Power In/Out: Waterproof Power Connector in/out
- Protection Rating: IP65

Electrical and Physical

- Input Voltage Range: 100-240V~ 50/60Hz
- Power Consumption: 1,580W
- Dimensions: 623 x 133 x 397mm (24.5" x 5.2" x 15.6")
- Flight Case Dimensions: 1,220 x 815 x 630 mm (48.0" x 32.1" x 24.8")
- Weight: 17 kg (38 lbs)
73 kg (160.9 lbs) (includes flight case, six per flight case)

PHOTOMETRICS DIAGRAM



BARN DOOR

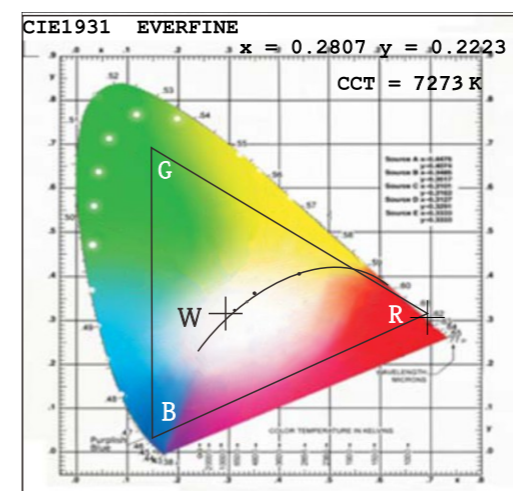


IP65

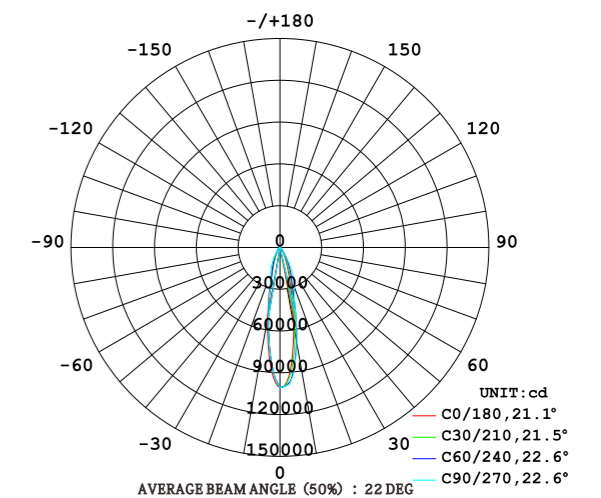


LIGHT QUALITY PARAMETER

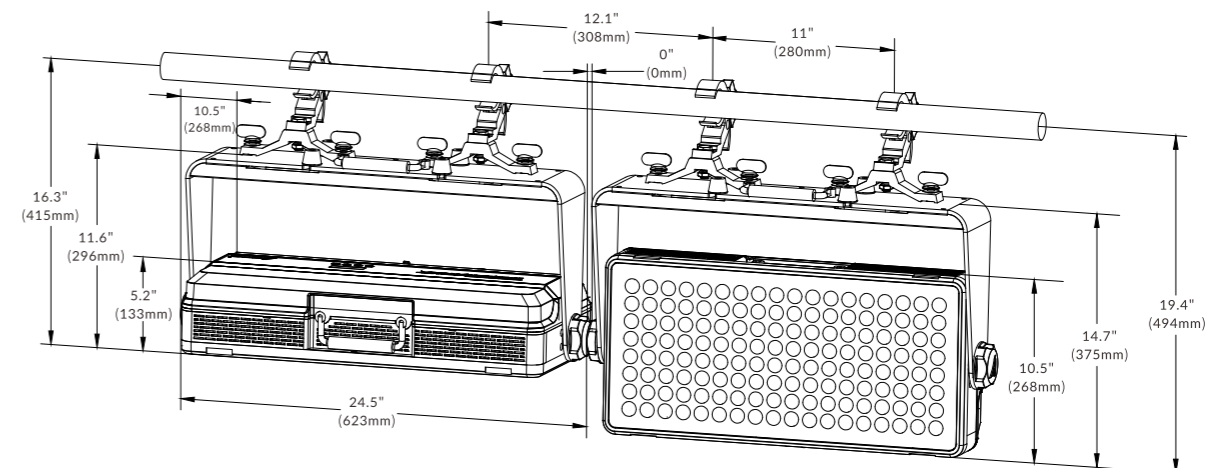
CIE1931 CHROMATICITY COORDINATES (Big Angle)



LUMINOUS INTENSITY DISTRIBUTION DIAGRAM



DIMENSIONS



EXTERIOR / OUTDOOR

EXTERIOR / OUTDOOR