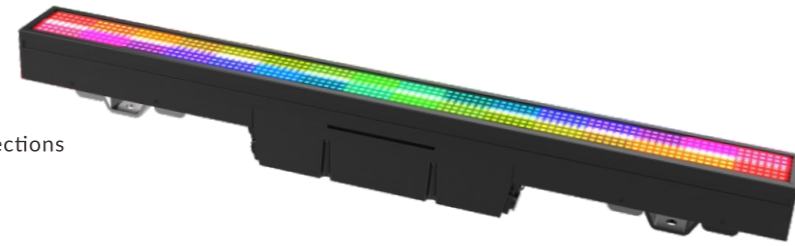


PIXEL LINE IP

STROBE 3 IP

FEATURES

- 672pcs 0.5W RGB LED: can be divided into 32 controllable sections
- 112pcs 3W CW LED: can be divided into 16 controllable sections
- Beam Angle: RGB Beam Angle: 101°
CW Beam Angle: 108°
- Field Angle: RGB Field Angle: 149°
CW Field Angle: 152°
- Outstanding color mixing effect
- High output strobe effect
- Multiple units can be combined with quick-positioning joint design
- Applying the Smart Glass as frontal glass, providing changable frosted/transparent effect
- Four optional smooth dimming curves to meet with different effect applications



TECHNICAL SPECIFICATIONS

Light Source

- Light Source: 672 x 0.5W RGB LED
112 x 3W CW LED

Optical System

- Beam Angle:
RGB Beam Angle: 101°
CW Beam Angle: 108°
- Field Angle:
RGB Field Angle: 149°
CW Field Angle: 152°
- Advanced optical design to ensure LED chips tightly arranged

Control and Program

- 4-Button touch panel
- Display: OLED display
- Protocols: DMX512, RDM, Art-Net, sACN
- DMX Protocol modes: 11
- Control channels: 7/15/21/39/112/17/33/65/68/117/70
- Firmware Upgrade: Upgrade via DMX link

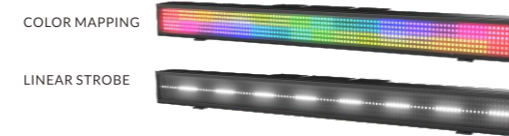
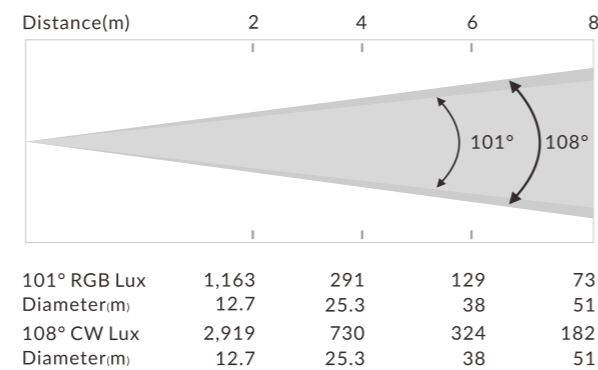
Electrical and Connectors

- Input Voltage Range: 100-240V~ 50/60Hz
- Power Consumption: 420 W
- Power In/Out: Waterproof Power Connector in/out
- Data In/Out: Waterproof 3/5-pin XLR and RJ45 Connector

Specification

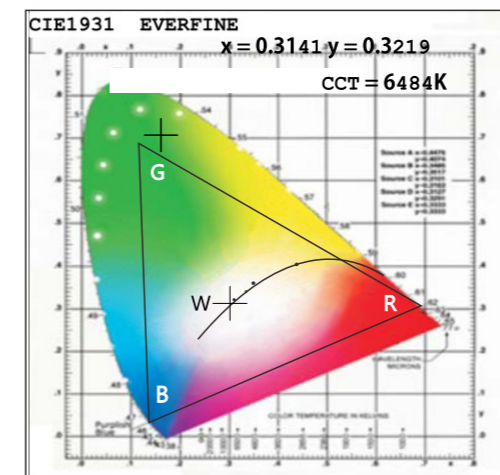
- Fixture Specification: 1,000 x 124 x 90 mm (39.4" x 4.9" x 3.5")
Weight: 8.5 kg (19 lbs)
- Flight Case Dimensions: 1,209 x 565 x 655 mm(47.5" x 22.2" x 25.8")
Weight: 115 kg(254 lbs) (Eight-pack loader case)
- Carton Specification: 1,085 x 195 x 320 mm(42.7" x 7.7" x 12.6")
Weight: 10.5 kg(23 lbs) (include carton,one-pack per carton)

PHOTOMETRICS DIAGRAM

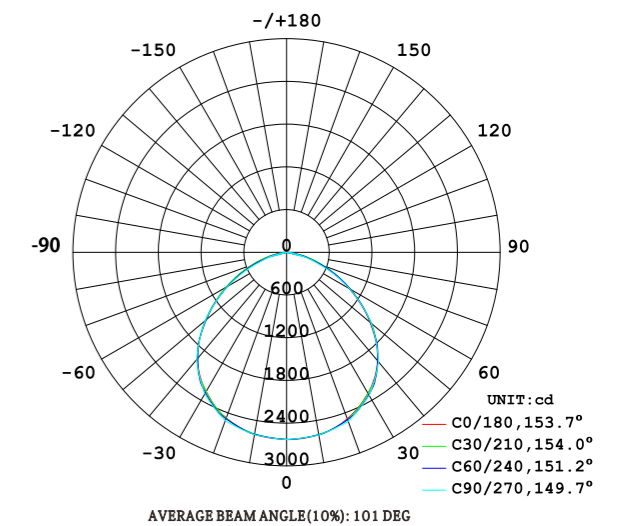


LIGHT QUALITY PARAMETER

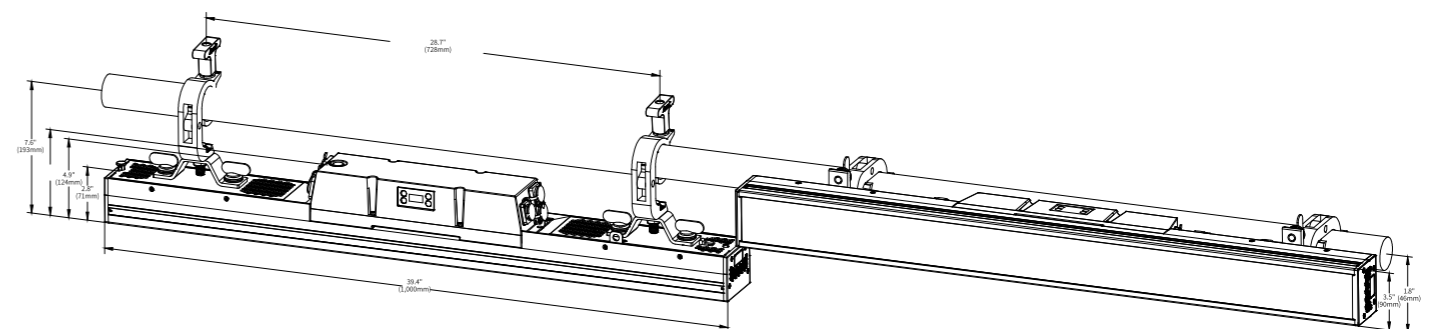
CIE1931 CHROMATICITY COORDINATES



LUMINOUS INTENSITY DISTRIBUTION DIAGRAM



DIMENSIONS



EXTERIOR / OUTDOOR

EXTERIOR / OUTDOOR