

PIXEL LINE IP 500

STROBE 1 IP

FEATURES

- Light Source:
 - 336pcs 0.5W RGB LED (can be divided into 16 controllable sections)
 - 112pcs 6W CW LED (can be divided into 16 controllable sections)
- Beam Angles:
 - RGB Beam Angle: 102°
 - CW Beam Angle: 108°
- Field Angles:
 - RGB Field Angle: 149°
 - CW Field Angle: 152°
- One Linear Strobe Bar, Two Modes At Your Hand:
 - Powerful Mode (16 RGB sections plus 16 CW sections): High output, high brightness
 - Splicing Mode (16 RGB sections plus 8 CW sections): Same output as Pixel Line IP
- Total Lumen Output of Fixture: 56,449 lm
- Color Temperature Output of Fixture: 7,000K-7,500K (CW)
- Multiple units can be combined with quick-positioning joint design
- Outstanding color mixing effects
- High output strobe effects
- Patented Smart Glass Technology for frost effects
- Variable light adjustment from 0-100% dimming
- IP66 rated



TECHNICAL SPECIFICATIONS

Light Source

- Light Source:
 - Color Light: 336 x 0.5W RGB LED engine
 - White Light: 112 x 6W CW LED engine
- Color Temperature Output of Fixture: 7,000K-7,500K (CW)
- Total Lumen Output of Fixture: 56,449 lm
- Life Expectancy: 30,000 hours*



Optical System

- Beam Angles:
 - RGB Color Beam Angles: 102°
 - CW White Beam Angles: 108°
- Field Angles:
 - RGB Color Field Angles: 149°
 - CW White Field Angles: 152°

Control and Program

- 4-Button touch panel
- Display: OLED display
- DMX Protocol Modes: 11
- Control Channels: 8/10/16/18/22/26/34/37/39/56/62
- Protocols: DMX512, RDM, Art-Net, sACN
- Firmware Upgrade: Upgrade via DMX link

Electrical and Connectors

- Input Voltage Range: 100-240V~ 50/60Hz
- Power Consumption: 875 W
- Power In/Out: Waterproof power connector in/out
- Data In/Out: 5-pin waterproof XLR, RJ45 connector
- Protection Rating: IP66

Specification

- Fixture Dimensions: 500 x 124 x 110 mm (19.7" x 4.9" x 4.7")
- Weight: 5.5 kg (12.1 lbs)
- Flight Case Dimensions: 1,220 x 610 x 810 mm (48" x 24" x 31.8")
- Weight: 125 kg (276 lbs) (includes flight case, 10 per flight case)
- Carton Dimensions: 595 x 215 x 220 mm (23.4" x 8.5" x 8.7")
- Weight: 6.5 kg (14.3 lbs) (include carton, one per carton)



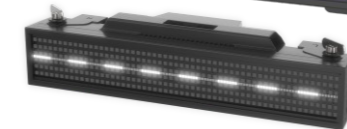
COLOR MAPPING



FULL OPEN TRANSPARENT



LINEAR STROBE

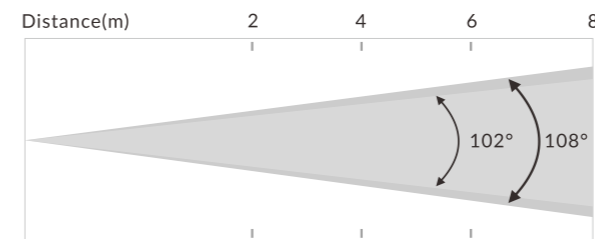


FULL OPEN BY FROSTED



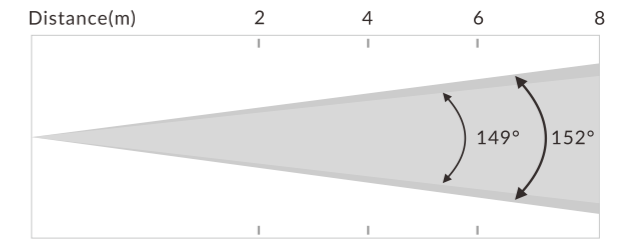
PHOTOMETRICS DIAGRAM

Beam Angle:



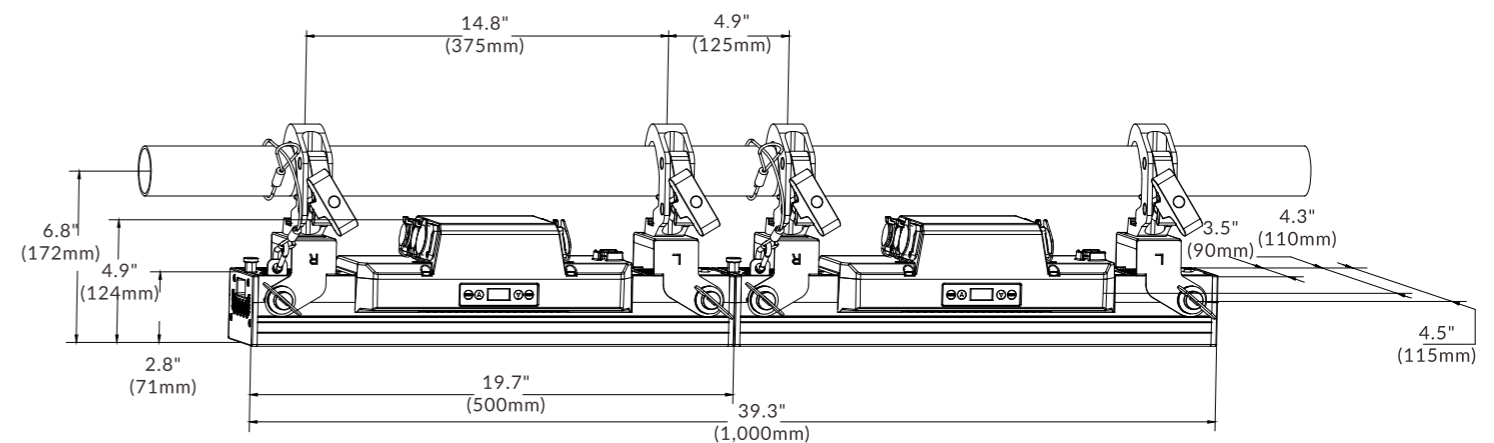
102° RGB Lux	329	95	52	36
Diameter(m)	0.5	1	1.5	2
108° CW Lux	6,000	1,710	890	540
Diameter(m)	0.6	1.1	1.7	2.2

Field Angle:



149° RGB Lux	329	95	52	36
Diameter(m)	1.4	2.9	4.3	5.8
152° CW Lux	6,000	1,710	890	540
Diameter(m)	1.6	3.2	4.8	6.4

DIMENSIONS



(* Light source's working life depends on the cycle ratio of its usage pattern and other environmental factors, such as dust, oil, temperature, humidity, etc.)



EXTERIOR / OUTDOOR

EXTERIOR / OUTDOOR