

# PIXEL 100/PIXEL POWER 8

PIXEL 100 / PIXEL POWER 8

## FEATURES

### PIXEL 100

- Compact body, powerful output, high brightness, energy-saving
- Contains a pixel controllable Led ring at the frontal lens
- Fits with hanger and buckle that ready for various installation
- The toolless buckle is designed for multiple units jointed in the horizontal or vertical setup.
- Have to use with its power box - PIXEL POWER 8



PIXEL 100

### PIXEL POWER 8

- Each UNIBOX equips with 8 power&signal sockets and supplies power up to 8 PIXEL 100
- Humanized fast plug-in and plug-out design makes the installation is safe and convenient
- Light in weight, energy-saving, and environmentally friendly



PIXEL POWER 8

## TECHNICAL SPECIFICATIONS

### Specifications

#### PIXEL 100

- Light Source: 1 x 80W RGBL  
24 x 5050RGB LED Ring
- Color Temperature: 2,500K-8,000K
- Beam Angle: 2.7°-21°
- Field Angle: 4.4°-26.3°

#### Control

#### PIXEL POWER 8

- DMX channel: 19/103/152
- Protocols: DMX512, RDM
- Firmware Upgrade via DMX link

#### Construction

#### PIXEL 100

- Power & Data In/Out: Power & Signal Hybrid 5-pin Cable
- Protection Rating: IP20

#### PIXEL POWER 8

- Display: OLED display
- Data In/Out: Power & Signal Hybrid 5-pin Cable Out  
3-pin XLR In
- Power In/Out: Power Connector in/out
- Protection Rating: IP20

### Electrical and Physical

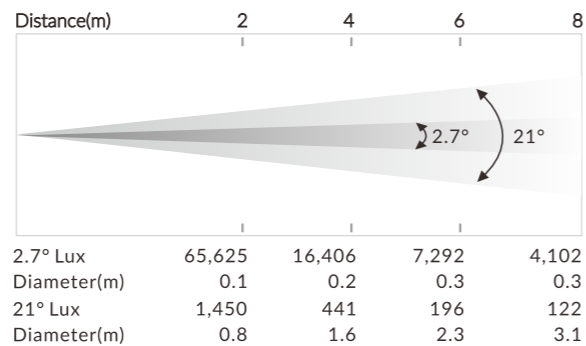
#### PIXEL 100

- Input Voltage Range: 24V DC, 50Hz
- Power Consumption: 75W
- Dimensions: 174 x 182 x 254 mm (6.9" x 7.2" x 10.0")
- Carton Dimension: 585 x 345 x 475 mm (23.0" x 13.6" x 18.7")
- Weight: 1.9 kg (4.2 lbs)  
14.7 kg (32.4 lbs) (Six-pack per carton)

#### PIXEL POWER 8

- Input Voltage Range: 100-240V~ 50HZ
- Power consumption: 530W
- Dimensions: 275 x 135 x 165 mm (10.8" x 5.3" x 6.5")
- Carton Dimension: 350 x 210 x 200 mm (13.8" x 8.3" x 7.9")
- Weight: 3.2 kg (7.1 lbs)  
4 kg (8.8 lbs) (One-pack per carton)

## PHOTOMETRICS DIAGRAM

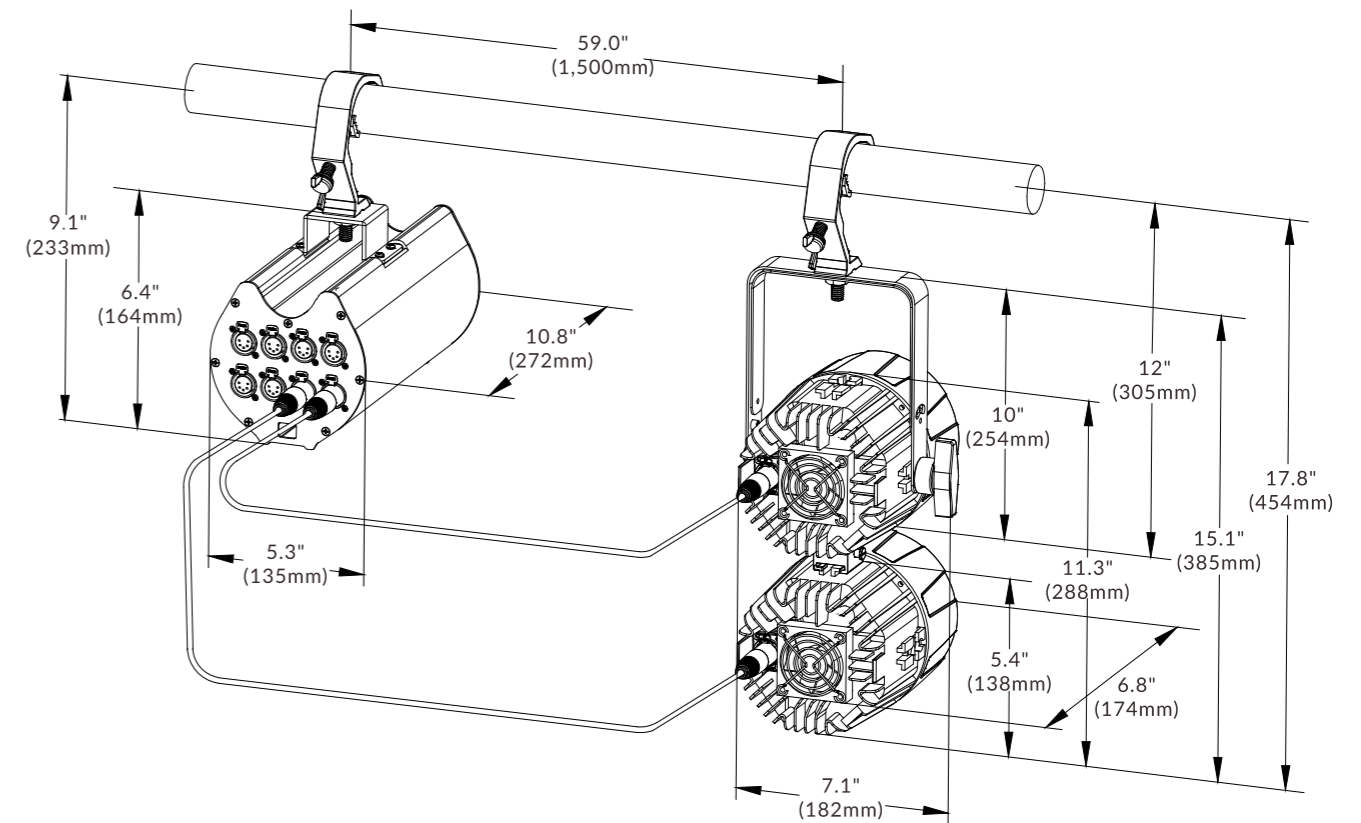


## JOINT SCHEMATICS



Through the buckle can be split-jointed each other.

## DIMENSIONS



PROJECT INSTALLATION

PROJECT INSTALLATION