

STAGE PAR ZOOM COLOUR

BL-100Z RGLB

FEATURES

- Outstanding color mixing effect, sharp beam
- High output, low energy consumption, efficient heat dissipation, long lifetime
- Compact design, small size, light weight (only 4.6kg)
- Low noise (under 38dB@1m); suitable for a wide variety of applications
- Double hanger design and can be easily installed on the truss or standing on the ground.
- IP66 protection rating
- Smooth dimming from 0-100%
- Outstanding strobe effect with variable speed

TECHNICAL SPECIFICATIONS

Specifications

- Light Source: 60W RGLB four in one LED
24X0.5W RGBW four in one LED
- Color Temperature: 2,500K~8,000K
- Beam Angle: 2.2°- 21°
- Spot Angle: 3.6°- 26.4°

Control

- DMX channel: 13/19/42 channels
- Protocols: DMX512, RDM
- Firmware upgrade via DMX link

Construction

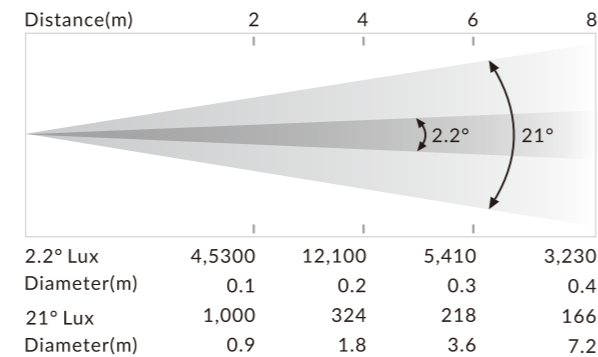
- Display: OLED display
- Data In/Out: 3-pin or 5-pin IP XLR
- Power In/Out: Waterproof Power Connector in/out
- Protection Rating: IP66

Electrical and Physical

- Input voltage range: 100-240V~ 50/60Hz
- Power Consumption: 75W
- Dimensions: 238 x 150 x 368 mm (9.4"x5.9"x14.5")
- Inner carton size: 435x230x280mm (17.1"x9.1"x11.0")
- Outer carton size: 485x460x590mm (19.1"x18.1"x23.2")
- Weight: 4.6kg(10.1lbs)
- Inner carton: 5.14kg (11.3lbs) (one-pack per carton)
- Outer carton: 22.2kg (48.9lbs) (Four-pack per carton)

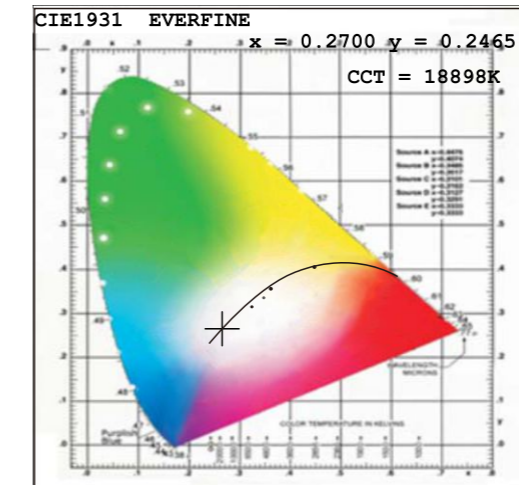


PHOTOMETRICS DIAGRAM

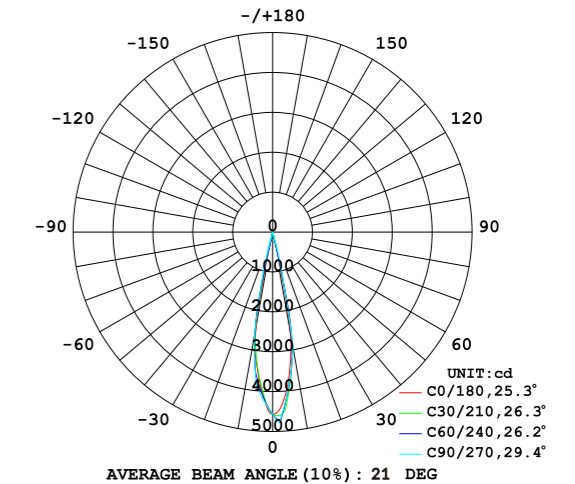


LIGHT QUALITY PARAMETER

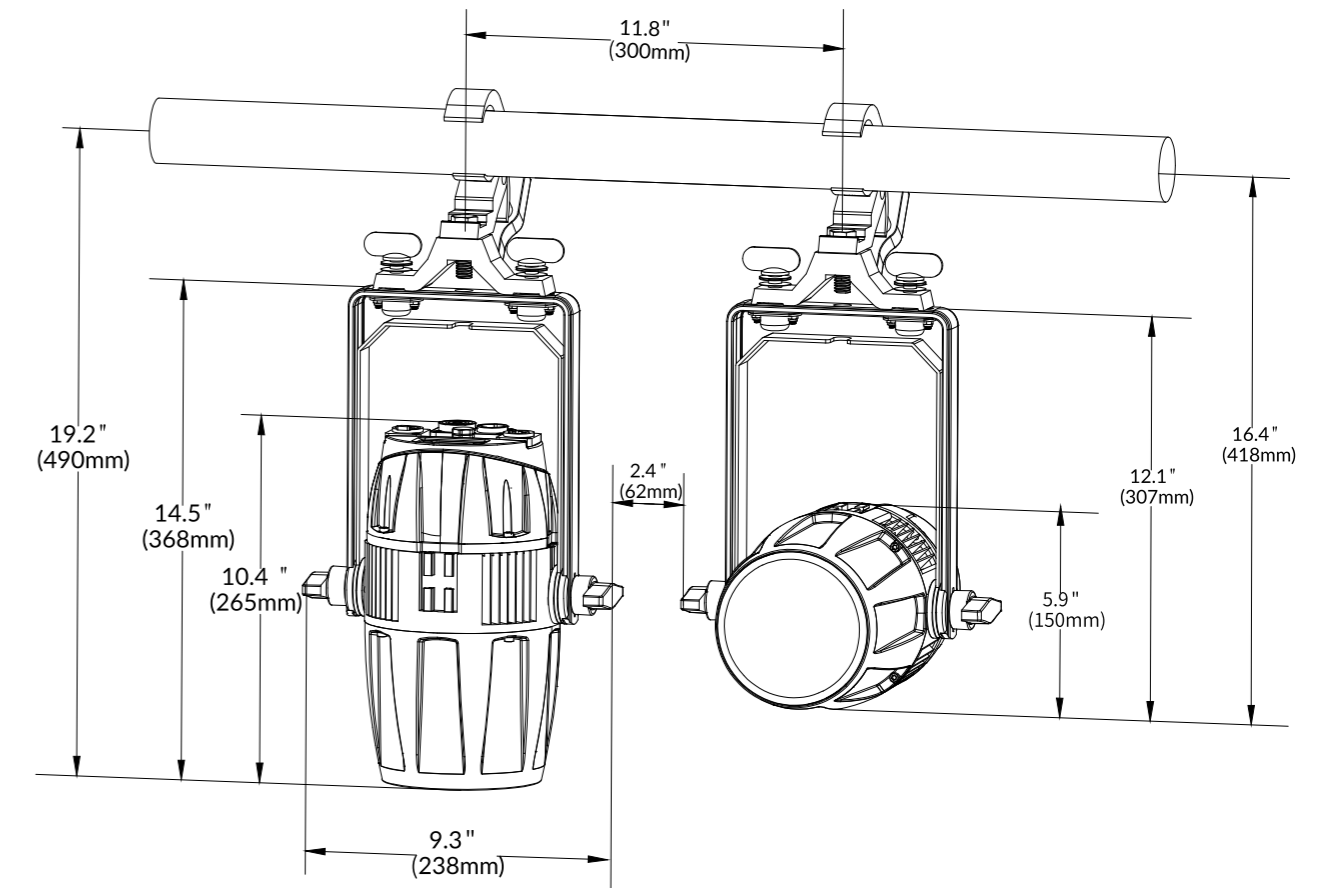
CIE1931 CHROMATICITY COORDINATES(Big Angle)



LUMINOUS INTENSITY DISTRIBUTION DIAGRAM



DIMENSIONS



EXTERIOR / OUTDOOR

EXTERIOR / OUTDOOR